

Refer to *Safety Precautions for All Solid State Relays*.

Detects failures in SSR used for heater temperature control and simultaneously outputs alarm signal. This SSR supports the safe design of heater control systems, and contributes to maintenance improvements by the user.

- Main detection items:
SSR short-circuits and SSR open-circuits
- Alarm output possible to NPN/PNP-input devices.
- The failure-detection function is built-in and power is supplied from the main circuit power supply making wiring simple.
- Slim design (width: 22.5 mm) incorporating a heat sink.
- In addition to screw mounting, DIN track mounting is also possible.
- Certified by EC, UL, and CSA.



Note: G3PC-220B-VD will be discontinued at the end of March 2017.

Model Number Structure

Model Number Legend

G3PC-□□□-□
1 2 3 4 5

- 1. Basic Model Name**
G3PC: SSR with Failure Detection Function
- 2. Rated Load Power Supply Voltage**
2: 100 to 240 VAC
- 3. Rated Load Current**
20: 20 A (carry current)
- 4. Terminal Type**
B: Screw terminals
- 5. Certification**
VD: Certified by UL, CSA, and VDE

Ordering Information

List of Models

Insulation method	Zero cross function	Indicators	Rated output load *1	Model number
Phototriac coupler	Yes	Yes (See page 5)	20 A, 100 to 240 VAC (resistive load: AC, Class1)	G3PC-220B-VD-X
				G3PC-220B-VD *2

*1. When ordering, specify the rated input voltage.

*2. Manufacture will be discontinued at the end of March 2017.

Accessories (Order Separately)

Name	Dimensions	Model number
Mounting Track	50 cm (ℓ) × 7.3 mm (t)	PPF-50N
	1 m (ℓ) × 7.3 mm (t)	PPF-100N
	1 m (ℓ) × 16 mm (t)	PPF-100N2

Specifications

■ Ratings (at an Ambient Temperature of 25°C)

Detection Power Supply

Rated power supply voltage	100 to 240 VAC (50/60 Hz)
Operating voltage range	75 to 264 VAC (50/60 Hz)
Current consumption	15 mA AC max. (at 200 VAC)

Operating Circuit

Input method	Voltage input
Rated input voltage	12 to 24 VDC
Operating input voltage range	9.6 to 30 VDC
Must operate voltage	9.6 VDC max.
Must release voltage	1 VDC min.
Input current	7 mA DC max. (at rated input voltage)

Main Circuit

Rated load voltage	100 to 240 VAC (50/60 Hz)
Operating voltage range	75 to 264 VDC (50/60 Hz)
Applicable load current	20 A (Ta = 40)
Minimum load current	0.1 A
Inrush current resistance (peak value)	220 A (60 Hz, 1 cycle)
Permissible (I ² t)	260 A ² s
Applicable load (with Class-1 AC resistive load)	4 kW (at 200 VAC)

Alarm Output

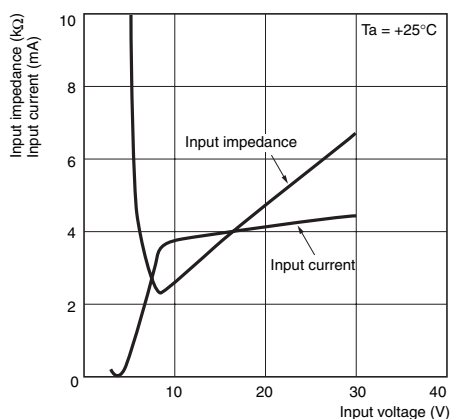
Output OFF collector voltage	30 VDC max.
Maximum carry current	0.1 A
Output form	Independent NPN open collector

■ Characteristics

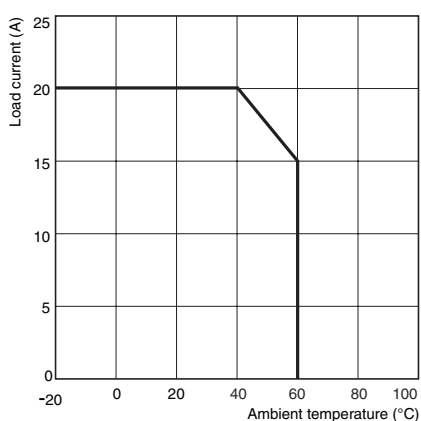
Operate time	1/2 of load power source cycle + 1 ms max.	
Release time	1/2 of load power source cycle + 1 ms max.	
Main circuit	Output ON voltage drop	1.6 V rms max.
	OFF leakage current	10 mA max. (at 200 VAC)
Alarm output	Output ON voltage drop	1.5 V max.
	OFF leakage current	0.1 mA max.
Insulation resistance	100 MΩ min. (at 500 VDC)	
Dielectric strength	2,500 VAC, 50/60 Hz for 1 min	
Vibration resistance	Destruction: 10 to 55 to 10 Hz, 0.35-mm single amplitude	
Shock resistance	Destruction: 294 m/s ²	
Ambient temperature	Operating: -20 to 60°C (with no icing or condensation) Storage: -30 to 70°C (with no icing or condensation)	
Ambient humidity	45% to 85%	
Weight	Approx. 300 g	
Certified standards	UL508, CSA22.2 No. 14, EN60947-4-3 (IEC947-4-3); Certified by VDE	
EMC	Emission: EN55011 Group 1 Class B Immunity: EN61000-6-2	

Engineering Data

Input Voltage vs. Input Current Input Voltage vs. Input Impedance

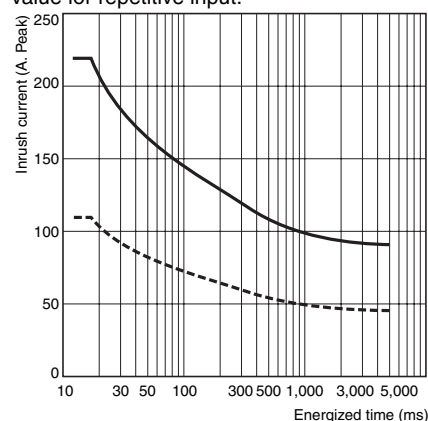


Load Current vs. Ambient Temperature



One Cycle Surge Current: Non-repetitive

The figure will be less than 1/2 the rated value for repetitive input.



Operation

■ Failure Detection Function

Conditions for SSR Failure Detection

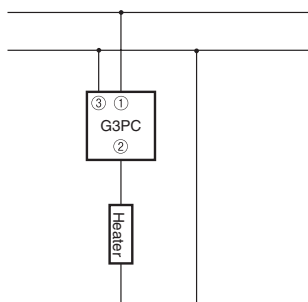
Failure mode (See note 1.)	Operating input (between terminals A1 and A2)	Detection time	Alarm display (See note 3.)	Alarm display (between terminals X1 and X2) (See note 3.)
SSR short-circuit	OFF	0.5 s max. (See note 2.)	Red	Open collector transistor output
SSR half-wave short-circuit	OFF			
SSR open-circuit	ON			
SSR half-wave open-circuit	ON			

- Note: 1.** The contents of each of the above failure modes is as follows:
 SSR short-circuit: SSR output circuit remains in the ON state.
 SSR half-wave short-circuit: SSR output circuit remains in the ON state in one direction.
 SSR open-circuit: SSR output circuit remains in the OFF state.
 SSR half-wave open-circuit: SSR output circuit remains in the OFF state in one direction.
 In addition to the failure modes listed above, detection of circuit disconnections for the load circuit is also possible. (As a rough guide, circuit disconnection will be detected if the load impedance is greater than or equal to 1 MΩ)
- 2.** The same power supply is used for both the detection and for the output circuit and so detection is not performed during power interruptions.
- 3.** If power supply (terminal 3) is in the open state, the SSR will still turn ON and OFF in the same way but the failure detection function and alarm display will not operate properly.

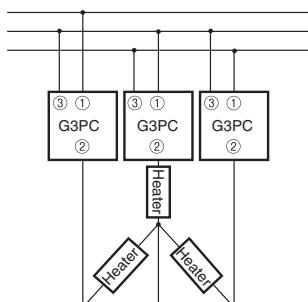
Connection Diagrams (Main Circuit)

The following diagrams show the applicable load connection configurations for SSR failure detection.

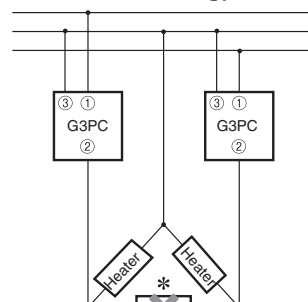
Single Phase



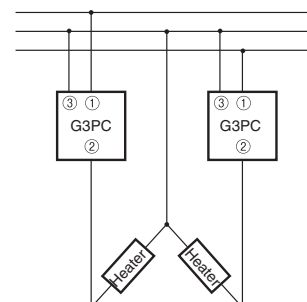
3-phase Star Connection



3-phase Delta Connection (3-phase, 2-wire Switching)

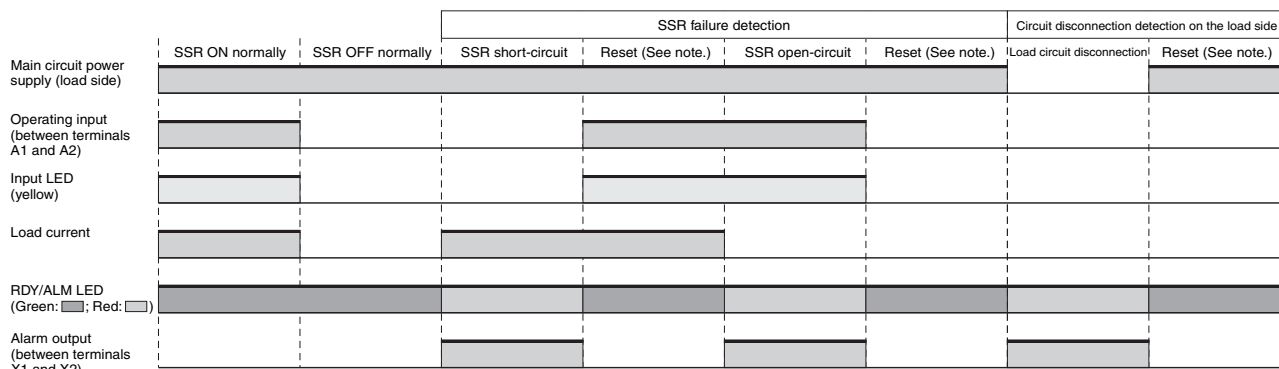


3-phase V Connection



- Note: 1.** With 3-phase connection, so that the power supply voltage is applied between the G3PC's terminals 1/L1 and 3, connect the desired phase to terminal 3.
- 2.** When grounding to a neutral point with a three-phase star connection, an overvoltage will be applied to the G3PC if the neutral point becomes disconnected, possibly causing product failure. Make sure the connection to the neutral point is secure.
- 3.** Detection is not possible for the heater indicated with an asterisks with a three-phase delta connection.

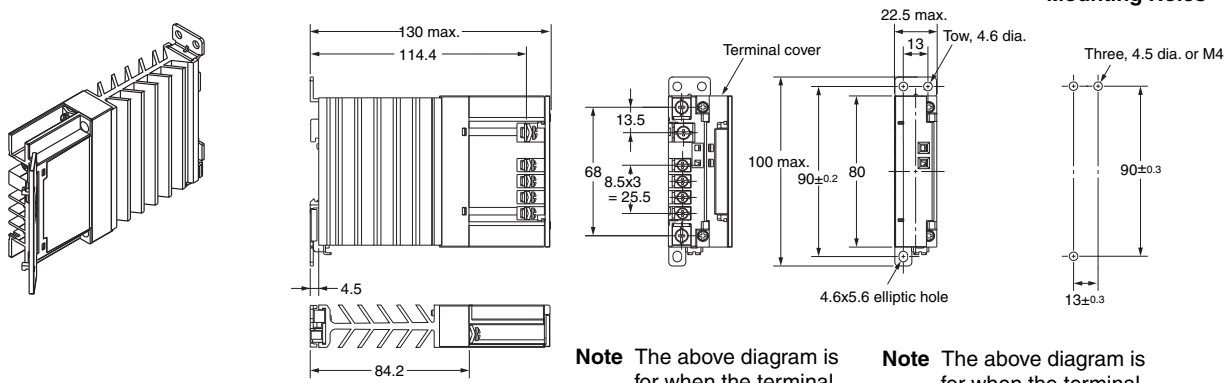
Timing Chart



Note: After failure detection, if the detection conditions differ to the conditions given under *Conditions for SSR Failure Detection*, alarm output is reset.

Dimensions

G3PC-220B-VD-X



Note The above diagram is for when the terminal cover is open.

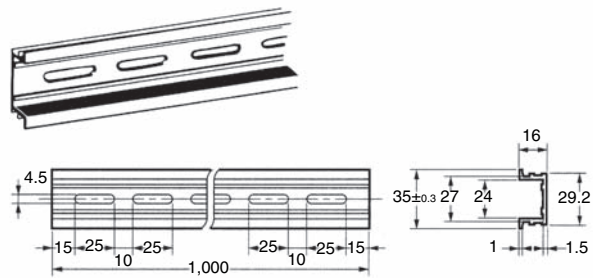
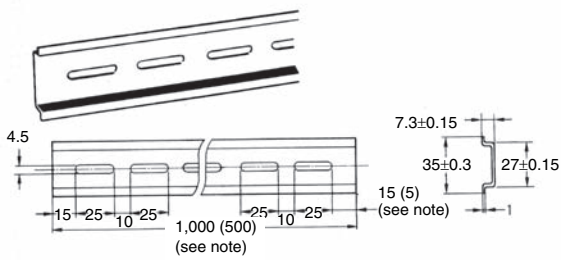
Note The above diagram is for when the terminal cover is closed.

Accessories (Order Separately)

Mounting Tracks

PFP-100N, PFP-50N

PFP-100N2



Note Values in parentheses indicate dimensions for the PFP-50N.

Installation

External Specifications

Terminal Arrangement

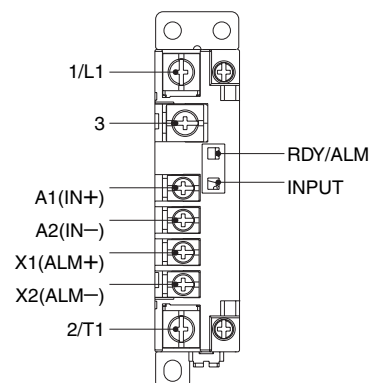
Terminal name	Terminal number	Screw size
Main circuit terminals (output)	1/L1, 2/T1	M4
Detection power supply terminal (input)	3	
Operating circuit terminals (input)	A1, A2	M3.5
Alarm output terminals (output)	X1, X2	

Indicators

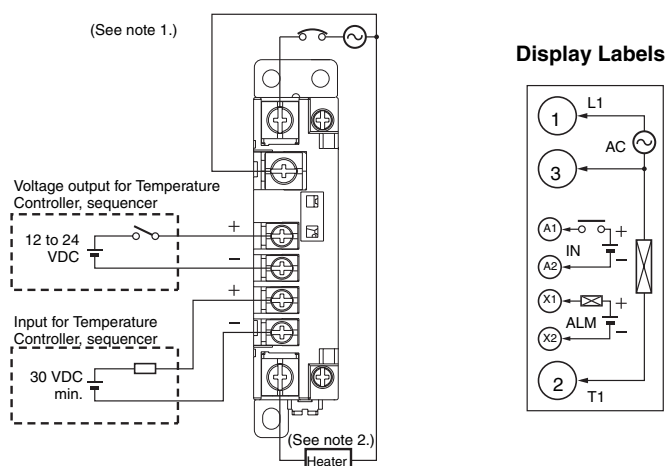
Name	Symbol	Color	Meaning
Status indicators	RDY	Green	SSR normal
	ALM	Red	SSR failure detection and circuit disconnection detection
Input indicator	INPUT	Yellow	Operating

Note: The same indicator is used as both the power supply indicator and the alarm indicator.

Appearance



Connection Example



Note: 1. If the detection power supply terminal (terminal 3) is not connected, failure detection is not performed and so be sure to connect this terminal.

2. If the load is connected to terminal 1/L1, failure detection may not operate correctly and so connect the load to terminal 2/T1.

3. With inductive loads (relay coil, etc.), connect back-current prevention diodes to both sides of the load.

Safety Precautions

■ Precautions for Correct Use

Please observe the following precautions to prevent failure to operate, malfunction, or undesirable effect on product performance.

Mounting Method

DIN Track Mounting

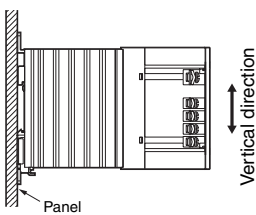
When mounting to a DIN track, mount the G3PC until it clicks into place, otherwise it become loose during use and fall. Fix both ends with end plates.

Panel Mounting

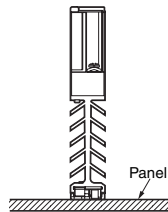
When mounting directly to a panel, observe the following conditions:
Screw diameter: M4

Tightening torque: 0.98 to 1.47 N·m

Vertical Mounting

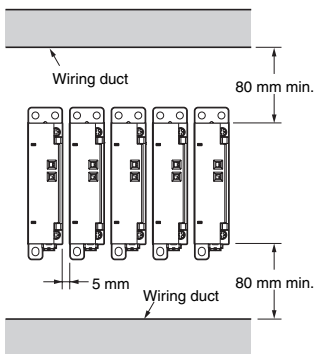


Horizontal Mounting



Note: Use the G3PC at a load current of 50% of the rated load current when it is mounted horizontally.

Close Mounting

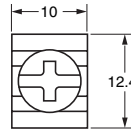


Note: Use the G3PC at a load current of 80% of the rated load current when it is mounted side by side.

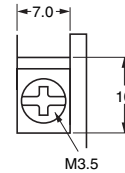
Wiring

- When using crimp terminals, observe the terminal clearances shown below.

Main Circuit Power Supply (Terminals 1 to 3)



Operating Input/Alarm Output (Terminals A1, A2, X1, and X2)



- Make sure that all lead wires are of a thickness appropriate for the current.
- The output terminals are charged, and touching them may result in electric shock, even when the G3PC is OFF. Separate the outputs from the power supply by installing a circuit-breaker at a higher level in the circuit.

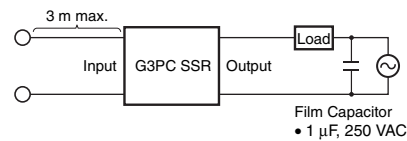
Tightening Torque

Be sure to tighten the screws to the specified torques given below. Not doing so may result in malfunction.

Terminal number	Screw terminal diameter	Tightening torque
A1, A2, X1, X2	M3.5	0.59 to 1.18 N·m
1/L1, 2/T1, 3	M4	0.98 to 1.47 N·m

EMC Directive Compliance

The Unit complies with the EMC Directives in the following conditions.



- Connect film capacitors to both sides of the load power supply output.
- The input cable must be no longer than 3m.

ALL DIMENSIONS SHOWN ARE IN MILLIMETERS.
To convert millimeters into inches, multiply by 0.03937. To convert grams into ounces, multiply by 0.03527.

In the interest of product improvement, specifications are subject to change without notice.

Terms and Conditions Agreement

Read and understand this catalog.

Please read and understand this catalog before purchasing the products. Please consult your OMRON representative if you have any questions or comments.

Warranties.

(a) Exclusive Warranty. Omron's exclusive warranty is that the Products will be free from defects in materials and workmanship for a period of twelve months from the date of sale by Omron (or such other period expressed in writing by Omron). Omron disclaims all other warranties, express or implied.

(b) Limitations. OMRON MAKES NO WARRANTY OR REPRESENTATION, EXPRESS OR IMPLIED, ABOUT NON-INFRINGEMENT, MERCHANTABILITY OR FITNESS FOR A PARTICULAR PURPOSE OF THE PRODUCTS. BUYER ACKNOWLEDGES THAT IT ALONE HAS DETERMINED THAT THE PRODUCTS WILL SUITABLY MEET THE REQUIREMENTS OF THEIR INTENDED USE.

Omron further disclaims all warranties and responsibility of any type for claims or expenses based on infringement by the Products or otherwise of any intellectual property right. (c) Buyer Remedy. Omron's sole obligation hereunder shall be, at Omron's election, to (i) replace (in the form originally shipped with Buyer responsible for labor charges for removal or replacement thereof) the non-complying Product, (ii) repair the non-complying Product, or (iii) repay or credit Buyer an amount equal to the purchase price of the non-complying Product; provided that in no event shall Omron be responsible for warranty, repair, indemnity or any other claims or expenses regarding the Products unless Omron's analysis confirms that the Products were properly handled, stored, installed and maintained and not subject to contamination, abuse, misuse or inappropriate modification. Return of any Products by Buyer must be approved in writing by Omron before shipment. Omron Companies shall not be liable for the suitability or unsuitability or the results from the use of Products in combination with any electrical or electronic components, circuits, system assemblies or any other materials or substances or environments. Any advice, recommendations or information given orally or in writing, are not to be construed as an amendment or addition to the above warranty.

See <http://www.omron.com/global/> or contact your Omron representative for published information.

Limitation on Liability; Etc.

OMRON COMPANIES SHALL NOT BE LIABLE FOR SPECIAL, INDIRECT, INCIDENTAL, OR CONSEQUENTIAL DAMAGES, LOSS OF PROFITS OR PRODUCTION OR COMMERCIAL LOSS IN ANY WAY CONNECTED WITH THE PRODUCTS, WHETHER SUCH CLAIM IS BASED IN CONTRACT, WARRANTY, NEGLIGENCE OR STRICT LIABILITY.

Further, in no event shall liability of Omron Companies exceed the individual price of the Product on which liability is asserted.

Suitability of Use.

Omron Companies shall not be responsible for conformity with any standards, codes or regulations which apply to the combination of the Product in the Buyer's application or use of the Product. At Buyer's request, Omron will provide applicable third party certification documents identifying ratings and limitations of use which apply to the Product. This information by itself is not sufficient for a complete determination of the suitability of the Product in combination with the end product, machine, system, or other application or use. Buyer shall be solely responsible for determining appropriateness of the particular Product with respect to Buyer's application, product or system. Buyer shall take application responsibility in all cases.

NEVER USE THE PRODUCT FOR AN APPLICATION INVOLVING SERIOUS RISK TO LIFE OR PROPERTY OR IN LARGE QUANTITIES WITHOUT ENSURING THAT THE SYSTEM AS A WHOLE HAS BEEN DESIGNED TO ADDRESS THE RISKS, AND THAT THE OMRON PRODUCT(S) IS PROPERLY RATED AND INSTALLED FOR THE INTENDED USE WITHIN THE OVERALL EQUIPMENT OR SYSTEM.

Programmable Products.

Omron Companies shall not be responsible for the user's programming of a programmable Product, or any consequence thereof.

Performance Data.

Data presented in Omron Company websites, catalogs and other materials is provided as a guide for the user in determining suitability and does not constitute a warranty. It may represent the result of Omron's test conditions, and the user must correlate it to actual application requirements. Actual performance is subject to the Omron's Warranty and Limitations of Liability.

Change in Specifications.

Product specifications and accessories may be changed at any time based on improvements and other reasons. It is our practice to change part numbers when published ratings or features are changed, or when significant construction changes are made. However, some specifications of the Product may be changed without any notice. When in doubt, special part numbers may be assigned to fix or establish key specifications for your application. Please consult with your Omron's representative at any time to confirm actual specifications of purchased Product.

Errors and Omissions.

Information presented by Omron Companies has been checked and is believed to be accurate; however, no responsibility is assumed for clerical, typographical or proofreading errors or omissions.