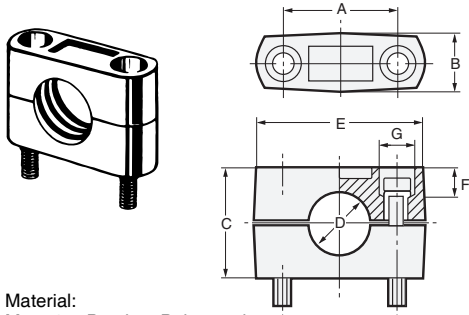


Mounting Brackets

Special resin mounting sleeves: Four different models available.
Simply select the size that fits the outside diameter of the Sensor.



Material:
Mounting Bracket: Polyacetal
Hexagonal bolt and spring washer: Nickel-plated iron

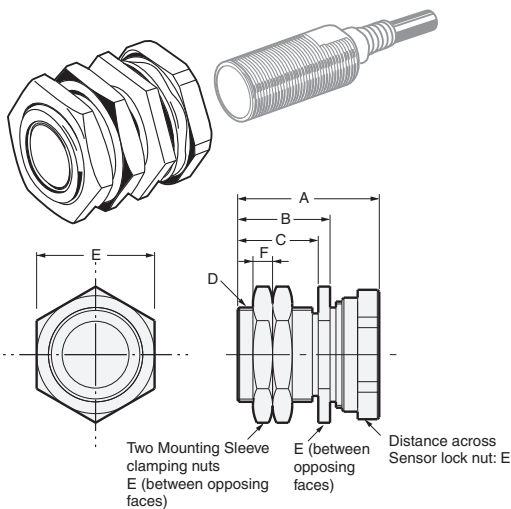
Mounting Bracket Dimensions

Item Model	Dimension (mm)							Applied hexagonal bolts	Applicable Sensor diameter
	A	B	C	D	E	F	G		
Y92E-B8	18±0.2	10 max.	18	8 dia.	28max.	6	7.4 dia.	M4 × 20	M8
Y92E-B12	24±0.2	12.5 max.	20	12 dia.	37max.	6	8 dia.	M4 × 25	M12
Y92E-B18	32±0.2	17 max.	30	18 dia.	47max.	7	9.8 dia.	M5 × 32	M18
Y92E-B30	45±0.2	17 max.	50	30 dia.	60max.	10	9.8 dia.	M5 × 50	M30

Note: Consider the influence of surrounding metal when mounting non-shielded Sensors. (Refer to information on individual Sensors for dimensions.)

Mounting Sleeves (Quick Mounting)

Once the Mounting Sleeve and Sensor have been set properly, readjustment is not required when replacing the Sensor.



Material:
Bracket: Nickel-plated iron
Nut: Nickel-plated brass
Mounting Sleeve: Polyacetal

Mounting Sleeve Dimensions

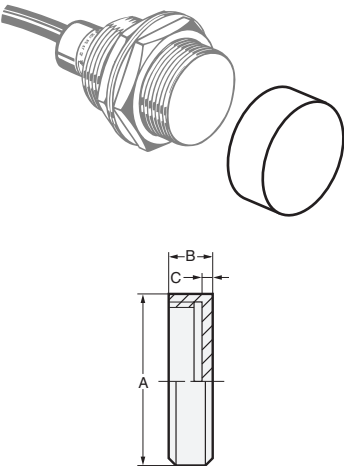
Item Model	Dimension (mm)						Applicable Sensors
	A	B	C	D	E (between opposing faces)	F	
Y92E-G8	Approx. 28	18.5	15.5	M12 × 1	17	4	E2E/E2E2 M8 Shielded Sensors
Y92E-G12	Approx. 29	20.5	17.5	M18 × 1	24	4	E2E/E2E2 M12 Shielded Sensors
Y92E-G18	Approx. 35	23.5	20.5	M24 × 1.5	30	5	E2E/E2E2 M18 Shielded Sensors
Y92E-G30	Approx. 39	27.5	24.5	M36 × 1.5	41	5	E2E/E2E2 M30 Shielded Sensors

Note: Do not tighten the nut with excessive force. Do not exceed the torque in the following table.

Item Model	Mounting Sleeve clamping nuts	Sensor lock nut
Y92E-G8	18 N·m	6 N·m
Y92E-G12	40 N·m	15 N·m
Y92E-G18	70 N·m	15 N·m
Y92E-G30	100 N·m	30 N·m

Protective Covers [A Protective Cover cannot be used with a Capacitive Proximity Sensor.]

Covers are available to protect the Sensing Head. Simply select the size that fits the outside diameter of the Sensor.

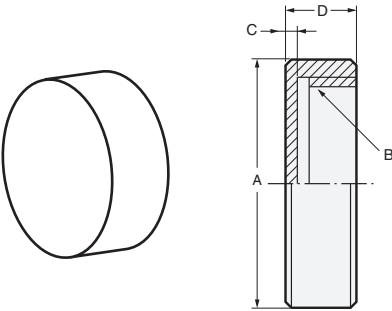


Protective Cover Dimensions

Model	Dimension (mm)			Cover inner diameter (threaded)	Material	Applicable Sensor diameter
	A	B	C			
Y92E-E12	14 dia.	5	0.5 ^{+0.2} _{-0.1}	M12 × 1	Polyacetal resin	M12 Shielded Models
Y92E-E18	21 dia.	6	1±0.2	M18 × 1		M18 Shielded Models
Y92E-E30	33 dia.	8	1.5±0.2	M30 × 1.5		M30 Shielded Models
Y92E-E12M	14 dia.	12	0.5 ^{+0.2} _{-0.1}	M12 × 1		M12 Unshielded Models
Y92E-E18M	21 dia.	16	1±0.2	M18 × 1		M18 Unshielded Models
Y92E-E30M	33 dia.	21	1.5±0.2	M30 × 1.5		M30 Unshielded Models

Sputter Protective Covers (Threaded on Inside of Cover) [A Sputter Protective Covers cannot be used with a Capacitive Proximity Sensor.]

The cover uses Fluororesin, so that chips that adhere due to sputtering can be easily removed.



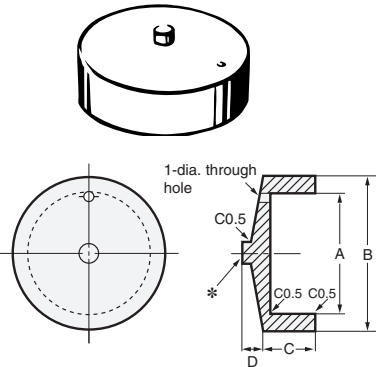
Sputter Protective Cover Dimensions

Model	Item	Dimension (mm)				Applicable Sensor diameter
		A	B	C	D	
Y92E-E8-7		10 dia.	M8 × 1	0.5 ^{+0.2} _{-0.1}	5	M8 Shielded Models
Y92E-E12-7		14 dia.	M12 × 1	0.5 ^{+0.2} _{-0.1}	5	M12 Shielded Models
Y92E-E18-7		21 dia.	M18 × 1	1±0.2	6	M18 Shielded Models
Y92E-E30-7		33 dia.	M30 × 1.5	1.5±0.2	8	M30 Shielded Models

Note: Do not screw on too tightly, or the cap may be damaged.

Sputter Protective Covers (Not Threaded on Inside of Cover) [A Sputter Protective Covers cannot be used with a Capacitive Proximity Sensor.]

Chips that adhere due to sputtering can be easily removed.



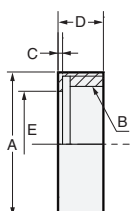
Sputter Protective Cover Dimensions

Model	Item	Dimension (mm)				Material	Applicable Sensor diameter
		A	B	C	D		
Y92E-E12-2		11.0 dia.	14.0 dia.	5.0	1.0	Silicon rubber	M12 Shielded Models
Y92E-E18-2		17.0 dia.	21 dia.	7.0	3.0		M18 Shielded Models
Y92E-E30-2		28.5 dia.	33.0 dia.	8.0	6.0		M30 Shielded Models

* There is no protrusion on Y92E-E12-2.

Protective Cover (Metal Cover for E2V and E2EZ Sensors)

Protect the Sensor from horizontal shocks and prevent the sensing surface from hitting workpieces.
The countermeasure for aluminum chips functions even with the Cover attached.



Protective Cover Dimensions

Model	Item	Dimension (mm)					Applicable Sensor	Material
		A	B (threading)	C	D	E		
Y92E-VM12		13 dia.	M12 × 1	0.60±0.05	5	9 dia.	E2V, M12 with shield E2EZ-X2D□-N E2EZ-X2D1-M1(T)(G)J	SUS303
Y92E-VM18		19 dia.	M18 × 1	0.60±0.05	6	14 dia.	E2V M18 with shield E2EZ-X4D□-N E2EZ-X4D1-M1(T)(G)J	
Y92E-VM30		31 dia.	M30 × 1.5	0.60±0.05	8	24 dia.	E2V M30 with shield E2EZ-X8D□-N E2EZ-X8D1-M1(T)(G)J	

Ratings and Performances with the Protective Cover Mounted

Item	Model	E2V-X□	E2EZ-X□
Sensing distance		When the Cover is mounted, the range changes by ±10% in comparison with the range without the Cover mounted. Use the Sensor within the set distance range.	When the Cover is mounted, the range changes by ±10% in comparison with the range without the Cover mounted. For M30 models, the range changes by ±15%. Use the Sensor within the set distance range.
Ambient temperature range		Operating: 5 to 55°C (with no condensation.) Storage: -25 to 70°C (with no icing or condensation.)	Operating: 0 to 50°C (with no icing or condensation.) Storage: 0 to 50°C (with no icing or condensation.)

Note: Other ratings and performances do not change from those of the E2V/E2EZ.
You can use a thread-locking compound to mount the Cover more securely.

Nut Sets

These nut sets are for mounting the Sensors. Order them if you lose the mounting screws.
Order the correct set for the outer diameter of your Sensor.

Model	Item	Applicable Sensor	Applicable Sensor diameter	Set contents
Y92E-NWM08-E2E	E2E		M8	Clamping nuts (bronze with nickel plating): 2 Toothed washer (iron with zinc plating): 1
Y92E-NWM12-E2E			M12	
Y92E-NWM18-E2E			M18	
Y92E-NWM30-E2E			M30	
Y92E-NWM12-E2EQ	E2EQ		M12	
Y92E-NWM18-E2EQ			M18	
Y92E-NWM30-E2EQ			M30	
Y92E-NWM8	E2FM E2EF-X		M8	Clamping nuts (SUS303): 2 Toothed washer (iron with zinc plating): 1
Y92E-NWM12			M12	
Y92E-NWM18			M18	
Y92E-NWM30			M30	
Y92E-NWM12-E2EH	E2EH		M12	Clamping nuts (SUS316L): 2
Y92E-NWM18-E2EH			M18	
Y92E-NWM30-E2EH			M30	
Y92E-NWM12-E2EZ	E2EZ		M12	Clamping nuts (iron with zinc plating): 2 Toothed washer (iron with zinc plating): 1
Y92E-NWM18-E2EZ			M18	
Y92E-NWM30-E2EZ			M30	
Y92E-NWM08-E2F	E2F		M8	Clamping nuts (polyacetal): 2
Y92E-NWM12-E2F			M12	
Y92E-NWM18-E2F			M18	
Y92E-NWM30-E2F			M30	

Terms and Conditions Agreement

Read and understand this catalog.

Please read and understand this catalog before purchasing the products. Please consult your OMRON representative if you have any questions or comments.

Warranties.

(a) Exclusive Warranty. Omron's exclusive warranty is that the Products will be free from defects in materials and workmanship for a period of twelve months from the date of sale by Omron (or such other period expressed in writing by Omron). Omron disclaims all other warranties, express or implied.

(b) Limitations. OMRON MAKES NO WARRANTY OR REPRESENTATION, EXPRESS OR IMPLIED, ABOUT NON-INFRINGEMENT, MERCHANTABILITY OR FITNESS FOR A PARTICULAR PURPOSE OF THE PRODUCTS. BUYER ACKNOWLEDGES THAT IT ALONE HAS DETERMINED THAT THE PRODUCTS WILL SUITABLY MEET THE REQUIREMENTS OF THEIR INTENDED USE.

Omron further disclaims all warranties and responsibility of any type for claims or expenses based on infringement by the Products or otherwise of any intellectual property right. (c) Buyer Remedy. Omron's sole obligation hereunder shall be, at Omron's election, to (i) replace (in the form originally shipped with Buyer responsible for labor charges for removal or replacement thereof) the non-complying Product, (ii) repair the non-complying Product, or (iii) repay or credit Buyer an amount equal to the purchase price of the non-complying Product; provided that in no event shall Omron be responsible for warranty, repair, indemnity or any other claims or expenses regarding the Products unless Omron's analysis confirms that the Products were properly handled, stored, installed and maintained and not subject to contamination, abuse, misuse or inappropriate modification. Return of any Products by Buyer must be approved in writing by Omron before shipment. Omron Companies shall not be liable for the suitability or unsuitability or the results from the use of Products in combination with any electrical or electronic components, circuits, system assemblies or any other materials or substances or environments. Any advice, recommendations or information given orally or in writing, are not to be construed as an amendment or addition to the above warranty.

See <http://www.omron.com/global/> or contact your Omron representative for published information.

Limitation on Liability; Etc.

OMRON COMPANIES SHALL NOT BE LIABLE FOR SPECIAL, INDIRECT, INCIDENTAL, OR CONSEQUENTIAL DAMAGES, LOSS OF PROFITS OR PRODUCTION OR COMMERCIAL LOSS IN ANY WAY CONNECTED WITH THE PRODUCTS, WHETHER SUCH CLAIM IS BASED IN CONTRACT, WARRANTY, NEGLIGENCE OR STRICT LIABILITY.

Further, in no event shall liability of Omron Companies exceed the individual price of the Product on which liability is asserted.

Suitability of Use.

Omron Companies shall not be responsible for conformity with any standards, codes or regulations which apply to the combination of the Product in the Buyer's application or use of the Product. At Buyer's request, Omron will provide applicable third party certification documents identifying ratings and limitations of use which apply to the Product. This information by itself is not sufficient for a complete determination of the suitability of the Product in combination with the end product, machine, system, or other application or use. Buyer shall be solely responsible for determining appropriateness of the particular Product with respect to Buyer's application, product or system. Buyer shall take application responsibility in all cases.

NEVER USE THE PRODUCT FOR AN APPLICATION INVOLVING SERIOUS RISK TO LIFE OR PROPERTY OR IN LARGE QUANTITIES WITHOUT ENSURING THAT THE SYSTEM AS A WHOLE HAS BEEN DESIGNED TO ADDRESS THE RISKS, AND THAT THE OMRON PRODUCT(S) IS PROPERLY RATED AND INSTALLED FOR THE INTENDED USE WITHIN THE OVERALL EQUIPMENT OR SYSTEM.

Programmable Products.

Omron Companies shall not be responsible for the user's programming of a programmable Product, or any consequence thereof.

Performance Data.

Data presented in Omron Company websites, catalogs and other materials is provided as a guide for the user in determining suitability and does not constitute a warranty. It may represent the result of Omron's test conditions, and the user must correlate it to actual application requirements. Actual performance is subject to the Omron's Warranty and Limitations of Liability.

Change in Specifications.

Product specifications and accessories may be changed at any time based on improvements and other reasons. It is our practice to change part numbers when published ratings or features are changed, or when significant construction changes are made. However, some specifications of the Product may be changed without any notice. When in doubt, special part numbers may be assigned to fix or establish key specifications for your application. Please consult with your Omron's representative at any time to confirm actual specifications of purchased Product.

Errors and Omissions.

Information presented by Omron Companies has been checked and is believed to be accurate; however, no responsibility is assumed for clerical, typographical or proofreading errors or omissions.