

Power Sensor Station ZN-KMX

CSM_ZN-KMX_DS_E_2_2

Strong Support for Construction of a Monitoring System



- A single button operation logs, in block, the data on 31 KM series units.
- The attached software easily enables graphic representation of the saved data.
- You can set the connected KMs at a time by use of the special tool.



Refer to the *Safety Precautions* on page 2.

For the most recent information on models that have been certified for safety standards, refer to your OMRON website.

Ordering Information

Main unit

Stations

Appearance	Item	Model	Power supply
	Station	ZN-KMX21-A	DC cable

Options

Appearance	Item	Model	
	DC cable (ZN9-ED01-S comes with ZN-KMX21-A)	Straight type (2 m)	ZN9-ED01-S
		Right angle type (2 m)	ZN9-ED02-S
	AC Adapter Power supply voltage: 100 to 240 VAC/50 to 60 Hz Operating temperature range: 0 to 40°C	ZN9-ACP01-S	
	Mounting Magnet	ZN9-EM01-S	
	Environmental Visualization Software Wave Inspire ES *1 *2 *3	ZN-SW11-S	

*1. This software has the following merits.

- Real-time monitoring of waveforms is available.
- Monitoring is synchronized with temperature/humidity sensors and other environmental sensor series units
- Data is displayed on layout drawings.

*2. System requirements

OS: Windows XP / Windows Vista / Windows 7 (64-Bit is supported for Windows 7 alone)

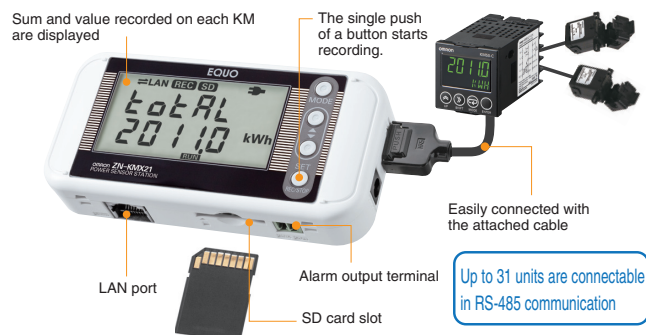
CPU: compatible Intel processors, 1 GHz or higher.

Memory: 1 GB or more (2 GB or more recommended)

*3. The compliant version is Ver2.2.0 or later

Connection Example

Data on 31 units of KM series for electric power monitoring can be logged, in block to the SD card.



Ratings and Specifications

Station unit

Item	Model	ZN-KMX21-A
Connectable Power Sensor/Monitor		KM20-B40-FLK, KM50-C, KM50-E, KM100
Max. Number of Connectable Power Sensor/Monitor Units		31 units
Display		7-seg. 5-digit 2-step LCD display, auxiliary information indicator displays
Recording Interval		1 s, 2 s, 5 s, 10 s, 20 s, 30 s, 1 min.
Recorded data		Momentary power, Integrated power, Power factor, Sum of pulse input counts 1 and 2 *1
Operation Function		Integrated power total sum, integrated momentary power, electricity rate total sum
Recording Mode		Continue mode *2, Ring mode *3
External Output		Alarm output (Photocoupler output) *4
Internal storage device		Internal memory: approx. 200 data items (at maximum load); approx. 6800 data items *5 (at minimum load)
External storage device		SD card (to save measured values and to save/read set values), Recommended SD card: HMC-SD291 (manufactured by OMRON) *6
Power Supply		DC input: 24 VDC±10%
Current Consumption		80 mA max.
Operating Temperature		Without Ethernet: -10°C to 40°C (no condensation or icing) With Ethernet: 0°C to 40°C (no condensation or icing)
Operating Humidity		20% to 85% (no condensation or icing)
Storage Humidity/Temperature		-15°C to +60°C, 20% to 85% (no condensation or icing)
Insulation Resistance		20 MΩ (500 VDC)
Withstand Voltage		1000 VAC, 50/60 Hz, 1 min.
Vibration Resistance		10 to 150 Hz, 0.7 mm double amplitude, acceleration: 50 m/s ² for each in X, Y and Z directions for 80 min *7
Shock Resistance		150 m/s ² in 6 directions (+/-X, +/-Y, and +/-Z directions), 3 times each *7
Material		ABS
Degree of Protection		IP30
Mounting		Magnet mounting, screw mounting, hook
Weight (in Package)		Approx. 500 g
Accessories		Instruction Sheet, Startup Guide, Utility Disk (CD-ROM) *8, Alarm Output Connector *9, KM Dedicated Connection Cable (3 m), DC cable (straight type), Ferrite core

*1. Only supported for KM50-C and KM50-E.

*2. Automatically writes the data to the SD memory card when the internal memory reaches its capacity and continues recording until the SD card memory capacity reaches its limit. The unit stops operation if there is no SD memory card inserted when the internal memory reaches its capacity. (Recording can be resumed after inserting an SD memory card and outputting the data to it at a press of button.)

*3. Continues the recording of the latest measured values until the internal memory reaches its capacity. (If the internal memory capacity exceeds the capacity, data is overwritten from the oldest one in the memory.)

*4. Output when the integrated power upper limit specified in THR mode is exceeded

*5. The maximum load is applied when 31 KM50-□ units are connected; and the minimum load, when a single KM20-B40-FLK is connected.

*6. You can temporarily read and write data with an SD card that complies with SD/SDHC card standards and was made by another company, but the SD card may suddenly not be recognized, preventing you from accessing the data.

*7. The vibration resistance when mounted using the ZN9-EM01-S magnets (separately sold): 10 to 55 Hz, 0.3 mm double amplitude, acceleration: 20m/s² for each in X, Y and Z directions for 50 min. The installation place must be free from physical shock.

*8. The Utility Disc includes SD Viewer software, Energy Viewer software and manual pdf. The provided software operating environment/OS: Windows XP/ Windows Vista / Windows 7; CPU: Intel-compatible processor 1.5 GHz or higher; Memory: 1 GB or more (Recommended: 2 GB or more)

Microsoft, Windows, and Windows 7 are registered trademarks of Microsoft Corporation in the United States and/or other countries.

*9. OMRON's XW4B-02B1-H1 connector.

Safety Precautions

WARNING

This product is not designed or rated for ensuring safety of persons either directly or indirectly.

Do not use it for such purposes.

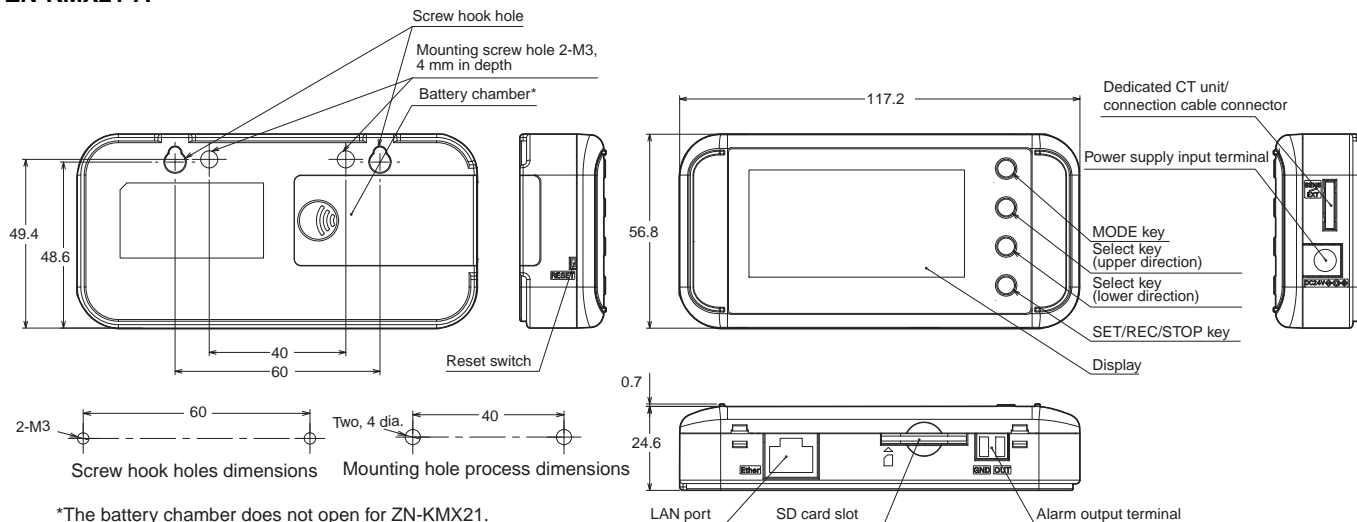


For technical information and product FAQs, refer to the “Technical Guide” on your OMRON website.

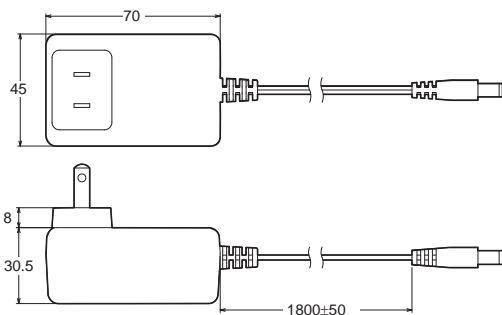
Dimensions

Station unit

ZN-KMX21-A



ZN9-ACP01-S



Terms and Conditions Agreement

Read and understand this catalog.

Please read and understand this catalog before purchasing the products. Please consult your OMRON representative if you have any questions or comments.

Warranties.

(a) Exclusive Warranty. Omron's exclusive warranty is that the Products will be free from defects in materials and workmanship for a period of twelve months from the date of sale by Omron (or such other period expressed in writing by Omron). Omron disclaims all other warranties, express or implied.

(b) Limitations. OMRON MAKES NO WARRANTY OR REPRESENTATION, EXPRESS OR IMPLIED, ABOUT NON-INFRINGEMENT, MERCHANTABILITY OR FITNESS FOR A PARTICULAR PURPOSE OF THE PRODUCTS. BUYER ACKNOWLEDGES THAT IT ALONE HAS DETERMINED THAT THE PRODUCTS WILL SUITABLY MEET THE REQUIREMENTS OF THEIR INTENDED USE.

Omron further disclaims all warranties and responsibility of any type for claims or expenses based on infringement by the Products or otherwise of any intellectual property right. (c) Buyer Remedy. Omron's sole obligation hereunder shall be, at Omron's election, to (i) replace (in the form originally shipped with Buyer responsible for labor charges for removal or replacement thereof) the non-complying Product, (ii) repair the non-complying Product, or (iii) repay or credit Buyer an amount equal to the purchase price of the non-complying Product; provided that in no event shall Omron be responsible for warranty, repair, indemnity or any other claims or expenses regarding the Products unless Omron's analysis confirms that the Products were properly handled, stored, installed and maintained and not subject to contamination, abuse, misuse or inappropriate modification. Return of any Products by Buyer must be approved in writing by Omron before shipment. Omron Companies shall not be liable for the suitability or unsuitability or the results from the use of Products in combination with any electrical or electronic components, circuits, system assemblies or any other materials or substances or environments. Any advice, recommendations or information given orally or in writing, are not to be construed as an amendment or addition to the above warranty.

See <http://www.omron.com/global/> or contact your Omron representative for published information.

Limitation on Liability; Etc.

OMRON COMPANIES SHALL NOT BE LIABLE FOR SPECIAL, INDIRECT, INCIDENTAL, OR CONSEQUENTIAL DAMAGES, LOSS OF PROFITS OR PRODUCTION OR COMMERCIAL LOSS IN ANY WAY CONNECTED WITH THE PRODUCTS, WHETHER SUCH CLAIM IS BASED IN CONTRACT, WARRANTY, NEGLIGENCE OR STRICT LIABILITY.

Further, in no event shall liability of Omron Companies exceed the individual price of the Product on which liability is asserted.

Suitability of Use.

Omron Companies shall not be responsible for conformity with any standards, codes or regulations which apply to the combination of the Product in the Buyer's application or use of the Product. At Buyer's request, Omron will provide applicable third party certification documents identifying ratings and limitations of use which apply to the Product. This information by itself is not sufficient for a complete determination of the suitability of the Product in combination with the end product, machine, system, or other application or use. Buyer shall be solely responsible for determining appropriateness of the particular Product with respect to Buyer's application, product or system. Buyer shall take application responsibility in all cases.

NEVER USE THE PRODUCT FOR AN APPLICATION INVOLVING SERIOUS RISK TO LIFE OR PROPERTY OR IN LARGE QUANTITIES WITHOUT ENSURING THAT THE SYSTEM AS A WHOLE HAS BEEN DESIGNED TO ADDRESS THE RISKS, AND THAT THE OMRON PRODUCT(S) IS PROPERLY RATED AND INSTALLED FOR THE INTENDED USE WITHIN THE OVERALL EQUIPMENT OR SYSTEM.

Programmable Products.

Omron Companies shall not be responsible for the user's programming of a programmable Product, or any consequence thereof.

Performance Data.

Data presented in Omron Company websites, catalogs and other materials is provided as a guide for the user in determining suitability and does not constitute a warranty. It may represent the result of Omron's test conditions, and the user must correlate it to actual application requirements. Actual performance is subject to the Omron's Warranty and Limitations of Liability.

Change in Specifications.

Product specifications and accessories may be changed at any time based on improvements and other reasons. It is our practice to change part numbers when published ratings or features are changed, or when significant construction changes are made. However, some specifications of the Product may be changed without any notice. When in doubt, special part numbers may be assigned to fix or establish key specifications for your application. Please consult with your Omron's representative at any time to confirm actual specifications of purchased Product.

Errors and Omissions.

Information presented by Omron Companies has been checked and is believed to be accurate; however, no responsibility is assumed for clerical, typographical or proofreading errors or omissions.

2016.4

In the interest of product improvement, specifications are subject to change without notice.

OMRON Corporation
Industrial Automation Company

<http://www.ia.omron.com/>

(c)Copyright OMRON Corporation 2016 All Right Reserved.