

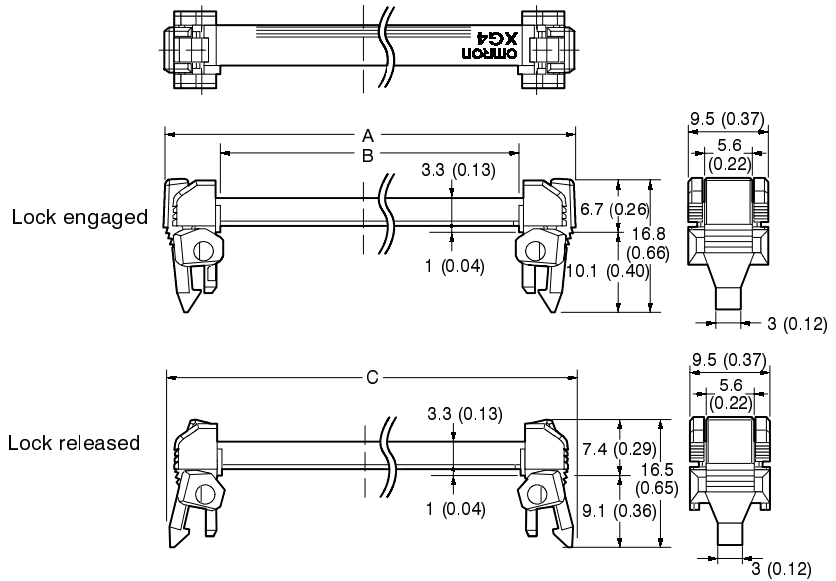
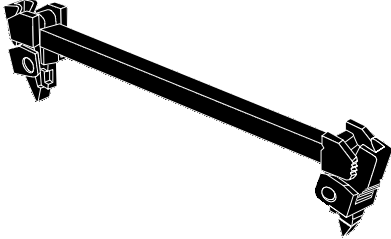
MIL-type Connector with socket Lock

XG4M-U

■ Dimensions

Strain relief (with lock)

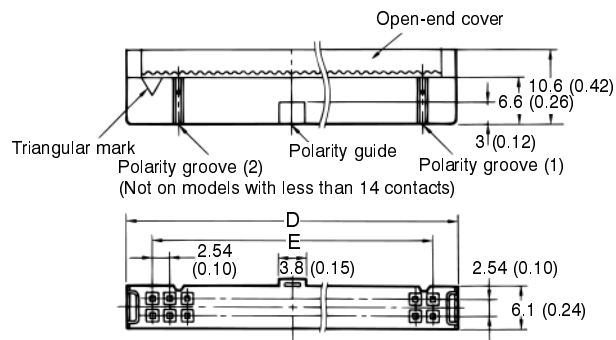
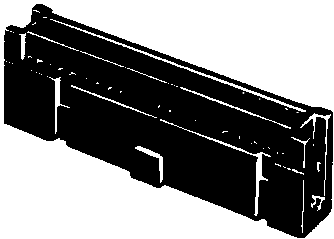
XG4U



Socket (with open-end cover)

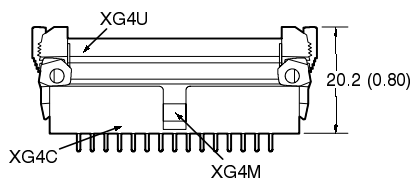
XG4M-__30 (one polarity guide)

XG4M-__31 (all others)

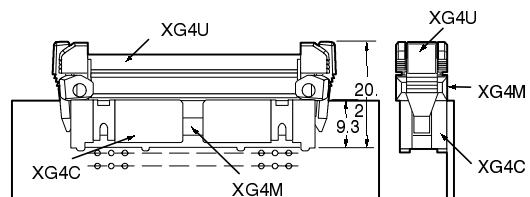


■ Mated Dimensions

XG4U and XG4M and XG4C (straight terminal)



XG4U and XG4M and XG4C (right-angle terminal)



■ Ordering Information

No. of contacts	Model			Dimensions [mm (in.)]					Polarity guides
	Set*	Socket** (with open-end cover)	Strain relief (with lock)	A	B	C	D	E	
10	XG4M-1031-U	XG4M-1031	XG4U-1004	26.8 (1.06)	13.2 (0.52)	26.2 (1.03)	17.3 (0.68)	10.16 (0.40)	0
	XG4M-1030-U	XG4M-1030							1
14	XG4M-1430-U	XG4M-1430	XG4U-1404	31.8 (1.25)	18.2 (0.72)	31.2 (1.23)	22.3 (0.88)	15.24 (0.60)	1
16	XG4M-1630-U	XG4M-1630	XG4U-1604	34.4 (1.35)	20.8 (0.82)	33.8 (1.33)	24.9 (0.98)	17.78 (0.70)	1
20	XG4M-2030-U	XG4M-2030	XG4U-2004	39.5 (1.56)	25.9 (1.02)	38.9 (1.53)	30.0 (1.18)	22.86 (0.90)	1
26	XG4M-2630-U	XG4M-2630	XG4U-2604	47.1 (1.85)	33.5 (1.32)	46.5 (1.83)	37.6 (1.48)	30.48 (1.20)	1
30	XG4M-3030-U	XG4M-3030	XG4U-3004	52.2 (2.06)	38.6 (1.52)	51.6 (2.03)	42.7 (1.68)	35.56 (1.40)	1
34	XG4M-3430-U	XG4M-3430	XG4U-3404	57.2 (2.25)	43.6 (1.72)	56.6 (2.23)	47.7 (1.88)	40.64 (1.60)	1
40	XG4M-4030-U	XG4M-4030	XG4U-4004	64.9 (2.56)	51.3 (2.02)	64.3 (2.53)	55.4 (2.18)	48.26 (1.90)	1
50	XG4M-5030-U	XG4M-5030	XG4U-5004	77.6 (3.06)	64.0 (2.52)	77.0 (3.03)	68.1 (2.68)	60.96 (2.40)	1
	XG4M-5031-U	XG4M-5031							2***
60	XG4M-6030-U	XG4M-6030	XG4U-6004	90.3 (3.56)	76.7 (3.02)	89.7 (3.53)	80.8 (3.18)	73.66 (2.90)	1
	XG4M-6031-U	XG4M-6031							2***
64	XG4M-6430-U	XG4M-6430	XG4U-6404	95.3 (3.75)	81.7 (3.22)	94.7 (3.73)	85.8 (3.38)	78.74 (3.10)	1
	XG4M-6431-U	XG4M-6431							2***

*With open-end cover

**Strain relief available separately

***Polarity guide pitch is 22.86 mm (0.911 in.).

FLAT CABLE CONNECTORS

XG4/XG2

The mainstream of circuit board connectors, meeting MIL standards with improved design.

- With our new production system, we have improved the reliability and decreased the cost.
- Space-saving box-type plug (XG4C) also available.
- Solderless plug (XG4E) can be used for relaying.
- An endless number of combinations can be made using the discrete wire solderless connector (XG5), the original plug (XG8), and the PCB connector (XG2).
- The unshrouded plug (XG8) and the box-type plug (XG4C) can be locked using the lock lever.
- Conforms to MIL standards (MIL-C-83503).
- UL standard component (file no. E103202).



Ordering Information

Model	XG4A	XG4A	XG4C	XG4E XG4S	XG4M XG4T	XG4H
Appearance	MIL-type Plug	Plug dual port type	Box-type Plug	Solderless plug with strain relief	MIL type socket with strain relief	Board-to-board connector socket

Ratings/Characteristics

Rated current	1 A (at 20°C)
Rated voltage	250 VAC
Contact resistance	20 mΩ max. (at 20 mV, 100 mA max.)
Insulation resistance	1,000 MΩ min. (at 500 VDC)
Withstand voltage	500 VAC for 1 min. (leakage current 1 mA max.)
Connector Insertion	200 gf (0.44 lb.f) max. per terminal
Contact removal	40 gf (0.088 lb.f) min. (test gauge with 0.64-mm (0.025-in.))
Usage durability	50 times min.
Operating temperature	-55°C to 105°C

*For standard 0.15 μm gold plating.

Recommended Wires

- IDC
1.27-mm (0.050-in.) pitch flat cable
AWG28 (strand wire)

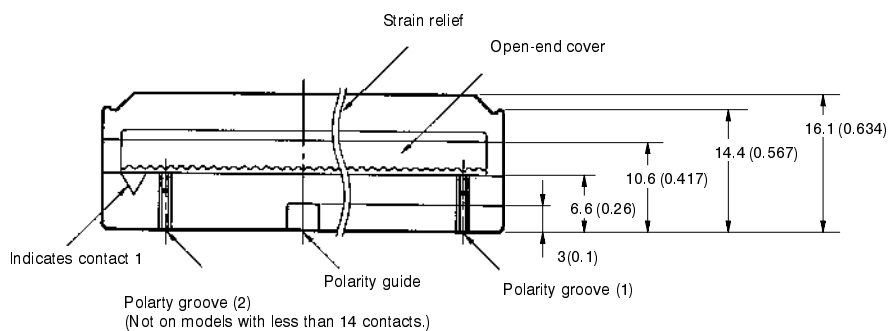
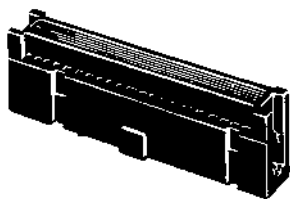
Materials and Finish

Item	Classification			
	MIL-type plug XG4A Box-type plug XG4C	Plug solderless type XG4E (Strain relief XG4S)	MIL-type socket XG4M (Strain relief XG4T)	Board-to-board connector XG4H
Housing	PBT resin with glass (UL94V-0)/black			
Cover	---	Polyamide resin (UL94V-0)/black	PBT resin with glass (UL94V-0)/black	---
Contact	Mating end	Brass/nickel base, 0.15 μm gold plated*	Copper alloy/nickel base, 0.15 μm gold plated*	Phosphor-bronze/nickel base, 0.15 μm gold plated
	Terminal	Brass/nickel base, 0.2 μm tin plated	Copper alloy/nickel base, 2.0 μm tin plated	Phosphor-bronze/nickel base, 2.0 μm tin plated
Strain relief	---	Polyamide resin (UL94V-0)/black	PBT resin with glass (UL94V-0)/black	---

XG4M MIL-type Socket

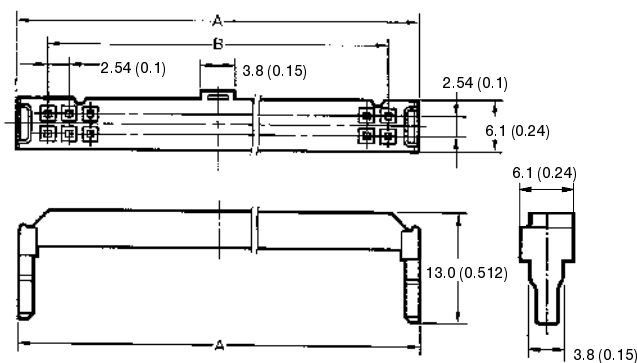
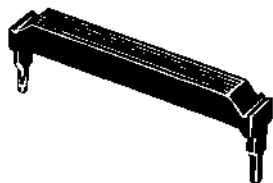
XG4M-__30 (one polarity guide)

XG4M-__31 (all others)



Strain relief

XG4T-__04



■ Ordering Information

No. of contacts	Model			A	B	Polarity guides
	Set	Socket*	Strain relief (XG4M)**			
10	XG4M-1031-T	XG4M-1031	XG4T-1004	17.3 (0.68)	10.16 (0.4)	0
	XG4M-1030-T	XG4M-1030				1
14	XG4M-1430-T	XG4M-1430	XG4T-1404	22.3 (0.88)	15.24 (0.6)	1
16	XG4M-1630-T	XG4M-1630	XG4T-1604	24.9 (0.98)	17.78 (0.7)	1
20	XG4M-2030-T	XG4M-2030	XG4T-2004	30.0 (1.18)	22.86 (0.9)	1
26	XG4M-2630-T	XG4M-2630	XG4T-2604	37.6 (1.48)	30.48 (1.2)	1
30	XG4M-3030-T	XG4M-3030	XG4T-3004	42.7 (1.68)	35.56 (1.4)	1
34	XG4M-3430-T	XG4M-3430	XG4T-3404	47.7 (1.88)	40.64 (1.6)	1
40	XG4M-4030-T	XG4M-4030	XG4T-4004	55.4 (2.18)	48.26 (1.9)	1
50	XG4M-5030-T	XG4M-5030	XG4T-5004	68.1 (2.68)	60.96 (2.4)	1
	XG4M-5031-T	XG4M-5031				2***
60	XG4M-6030-T	XG4M-6030	XG4T-6004	80.8 (3.18)	73.66 (2.9)	1
	XG4M-6031-T	XG4M-6031				2***
64	XG4M-6430-T	XG4M-6430	XG4T-6404	85.8 (3.38)	78.74 (3.1)	1
	XG4M-6431-T	XG4M-6431				2***

*With open-end cover.

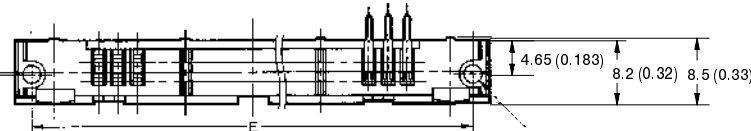
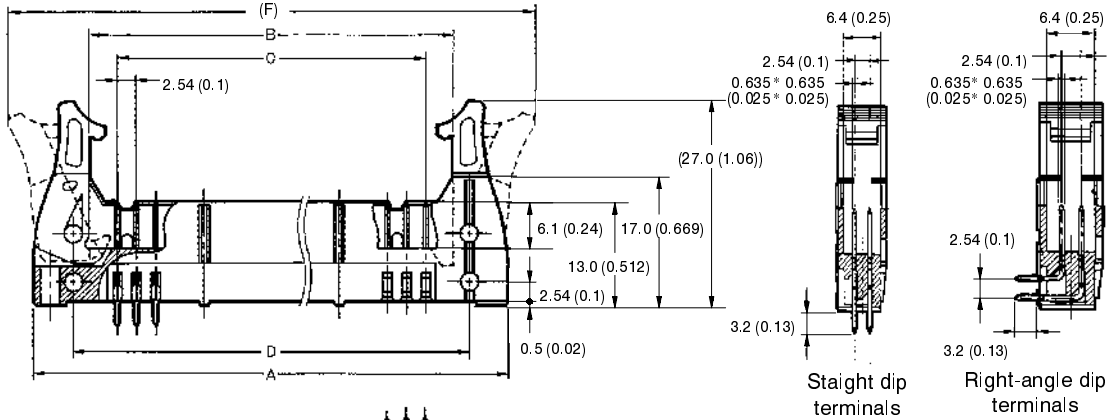
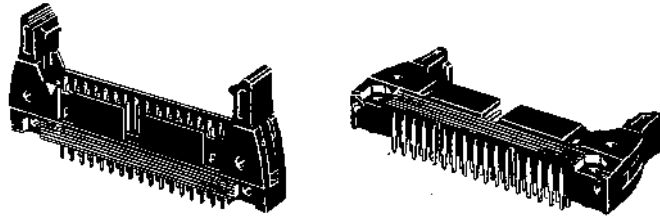
**Strain relief available separately.

***Polarity guide pitch is 22.86 mm (0.911 in.).

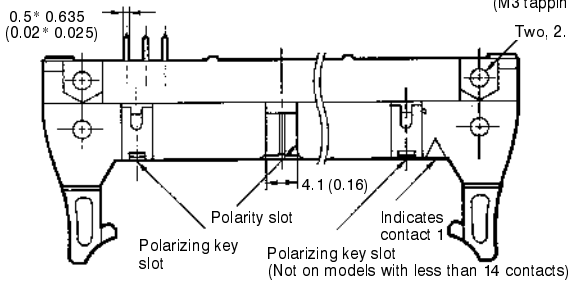
XG4A MIL-type Plug, with Long Lock (MIL Standard Component)

■ Dimensions

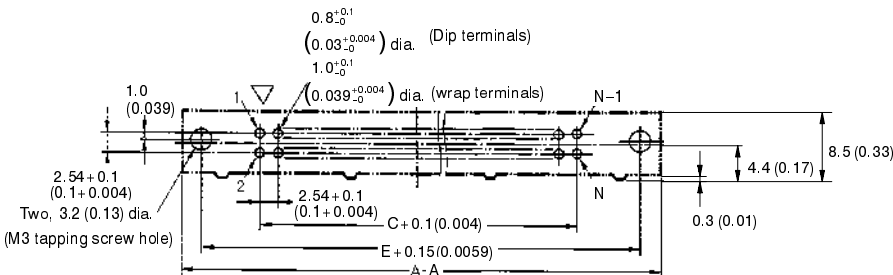
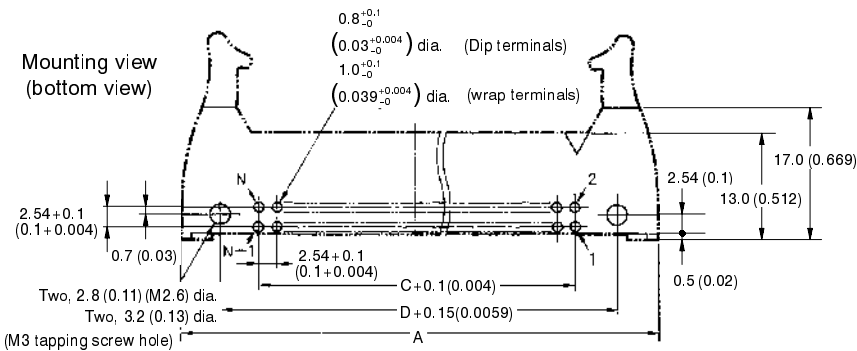
XG4A-__31/-__71 (Straight dip terminals)
 XG4A-__34/-__74 (Right-angle dip terminals)



Two, 2.6 (0.1) dia. (M3 tapping screw hole)
 Two, 2.65 (0.104) dia.



Mounting view (bottom view)



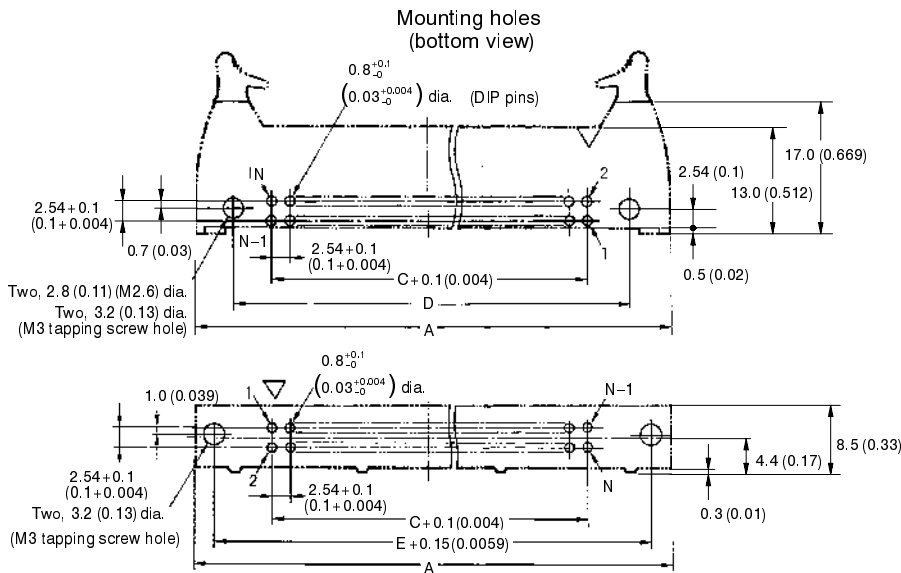
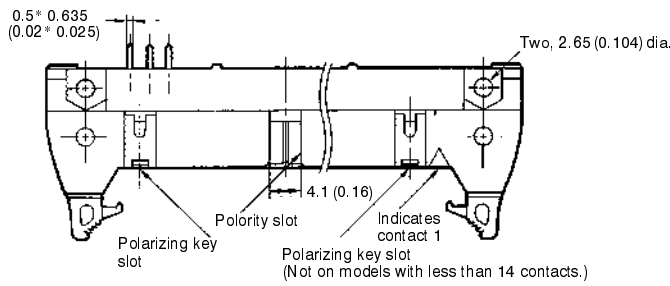
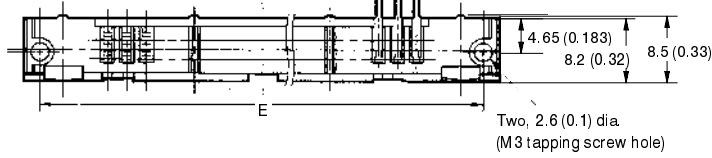
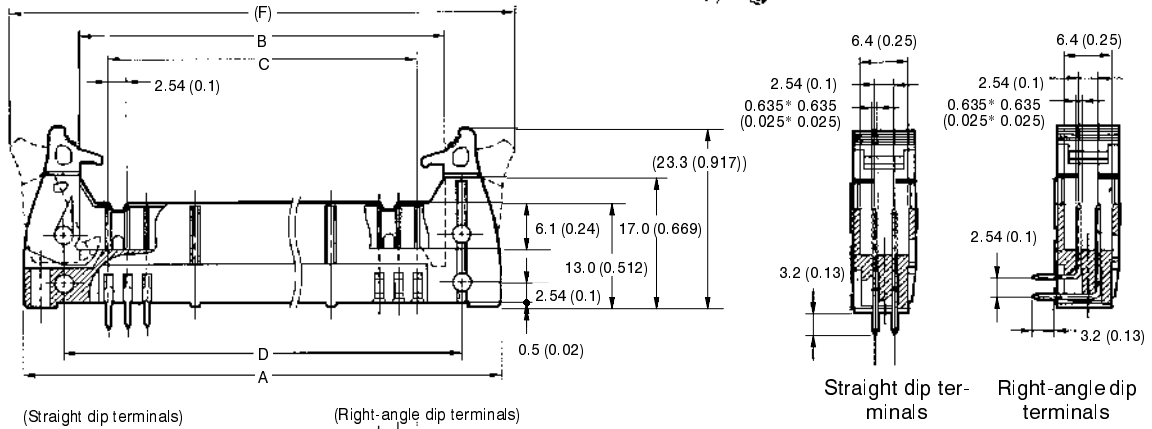
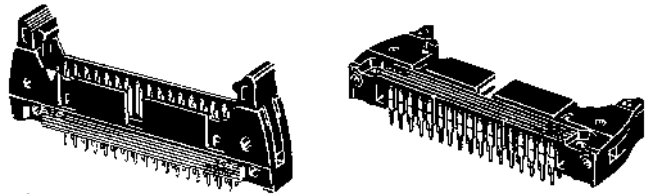
■ Ordering Information

Use in combination with strain-relief sockets.

No. of contacts	Model		Dimensions [mm (ins.)]						Polarity slots
	Straight dip terminals	Right-angle dip terminals	A	B	C	D	E	F	
10	XG4A-1071	XG4A-1074	32.0	17.5	10.16	21.8	27.9	38.8	0
	XG4A-1031	XG4A-1034	(1.26)	(0.69)	(0.4)	(0.86)	(1.1)	(1.53)	1
14	XG4A-1431	XG4A-1434	37.1 (1.46)	22.6 (0.89)	15.24 (0.6)	26.9 (1.06)	33.0 (1.3)	43.9 (1.73)	1
16	XG4A-1631	XG4A-1634	39.6 (1.56)	25.2 (0.99)	17.78 (0.7)	29.5 (1.16)	35.6 (1.4)	46.5 (1.83)	1
20	XG4A-2031	XG4A-2034	44.7 (1.76)	30.2 (1.19)	22.86 (0.9)	34.5 (1.36)	40.6 (1.6)	51.5 (2.03)	1
26	XG4A-2631	XG4A-2634	52.3 (2.06)	37.9 (1.49)	30.48 (1.2)	42.2 (1.66)	48.3 (1.9)	59.2 (2.33)	1
30	XG4A-3031	XG4A-3034	57.4 (2.26)	42.9 (1.69)	35.56 (1.4)	47.2 (1.86)	53.3 (2.1)	64.2 (2.53)	1
34	XG4A-3431	XG4A-3434	62.5 (2.46)	48.0 (1.89)	40.64 (1.6)	52.3 (2.06)	58.4 (2.3)	69.3 (2.73)	1
40	XG4A-4031	XG4A-4034	70.1 (2.76)	55.6 (2.19)	48.26 (1.9)	59.9 (2.36)	66.0 (2.6)	76.9 (3.03)	1
50	XG4A-5031	XG4A-5034	82.8	68.3	60.96	72.6	78.7	89.6	1
	XG4A-5071	XG4A-5074	(3.26)	(2.69)	(2.4)	(2.86)	(3.1)	(3.53)	2
60	XG4A-6031	XG4A-6034	95.5	81.0	73.66	85.3	91.4	102.3	1
	XG4A-6071	XG4A-6074	(3.76)	(3.19)	(2.9)	(3.36)	(3.6)	(4.03)	2
64	XG4A-6431	XG4A-6434	100.6	86.1	78.74	90.4	96.5	107.4	1
	XG4A-6471	XG4A-6474	(3.96)	(3.39)	(3.1)	(3.56)	(3.8)	(4.23)	2

XG4A MIL-type Plug, with Short Lock

XG4A-__32/-__72 (Straight dip terminals)
 XG4A-__35/-__75 (Right-angle dip terminals)



■ Ordering Information

Use in combination with non-strain-relief sockets.

No. of contacts	Model		Dimensions [mm (ins.)]						Polarity slots
	Straight dip terminals	Right-angle dip terminals	A	B	C	D	E	F	
10	XG4A-1072	XG4A-1075	32.0	17.5	10.16	21.8	27.9	35.8	0
	XG4A-1032	XG4A-1035	(1.26)	(0.69)	(0.4)	(0.86)	(1.1)	(1.41)	1
14	XG4A-1432	XG4A-1435	37.1 (1.46)	22.6 (0.89)	15.24 (0.6)	26.9 (1.06)	33.0 (1.3)	40.9 (1.61)	1
16	XG4A-1632	XG4A-1635	39.6 (1.56)	25.2 (0.99)	17.78 (0.7)	29.5 (1.16)	35.6 (1.4)	43.5 (1.71)	1
20	XG4A-2032	XG4A-2035	44.7 (1.76)	30.2 (1.19)	22.86 (0.9)	34.5 (1.36)	40.6 (1.6)	48.5 (1.91)	1
26	XG4A-2632	XG4A-2635	52.3 (2.06)	37.9 (1.49)	30.48 (1.2)	42.2 (1.66)	48.3 (1.9)	56.2 (2.21)	1
30	XG4A-3032	XG4A-3035	57.4 (2.26)	42.9 (1.69)	35.56 (1.4)	47.2 (1.86)	53.3 (2.1)	61.2 (2.41)	1
34	XG4A-3432	XG4A-3435	62.5 (2.46)	48.0 (1.89)	40.64 (1.6)	52.3 (2.06)	58.4 (2.3)	66.3 (2.61)	1
40	XG4A-4032	XG4A-4035	70.1 (2.76)	55.6 (2.19)	48.26 (1.9)	59.9 (2.36)	66.0 (2.6)	73.9 (2.91)	1
50	XG4A-5032	XG4A-5035	82.8	68.3	60.96	72.6	78.7	86.6	1
	XG4A-5072	XG4A-5075	(3.26)	(2.69)	(2.4)	(2.86)	(3.1)	(3.41)	2
60	XG4A-6032	XG4A-6035	95.5	81.0	73.66	85.3	91.4	99.3	1
	XG4A-6072	XG4A-6075	(3.76)	(3.19)	(2.9)	(3.36)	(3.6)	(3.91)	2
64	XG4A-6432	XG4A-6435	100.6	86.1	78.74	90.4	96.5	104.4	1
	XG4A-6472	XG4A-6475	(3.96)	(3.39)	(3.1)	(3.56)	(3.8)	(4.11)	2

Note: See chart on page 24 for number and position of polarity slots on each model.

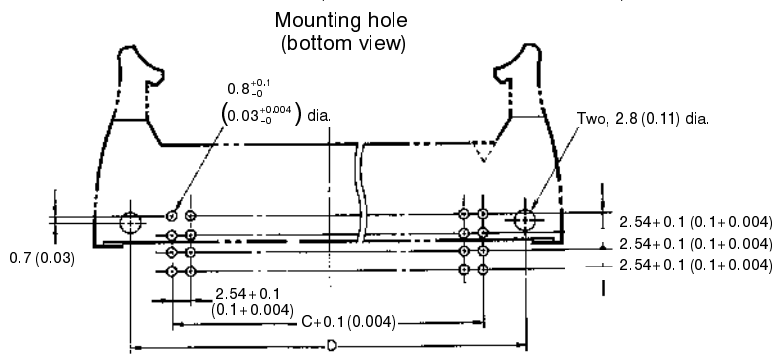
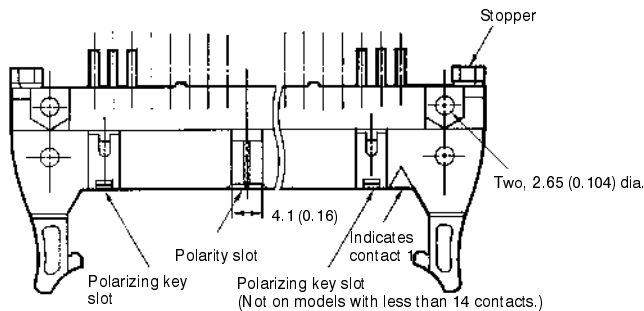
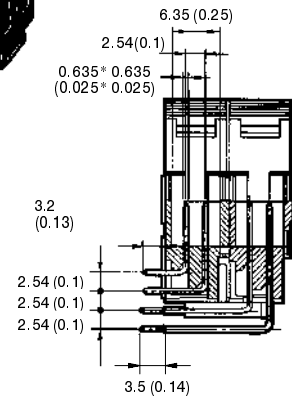
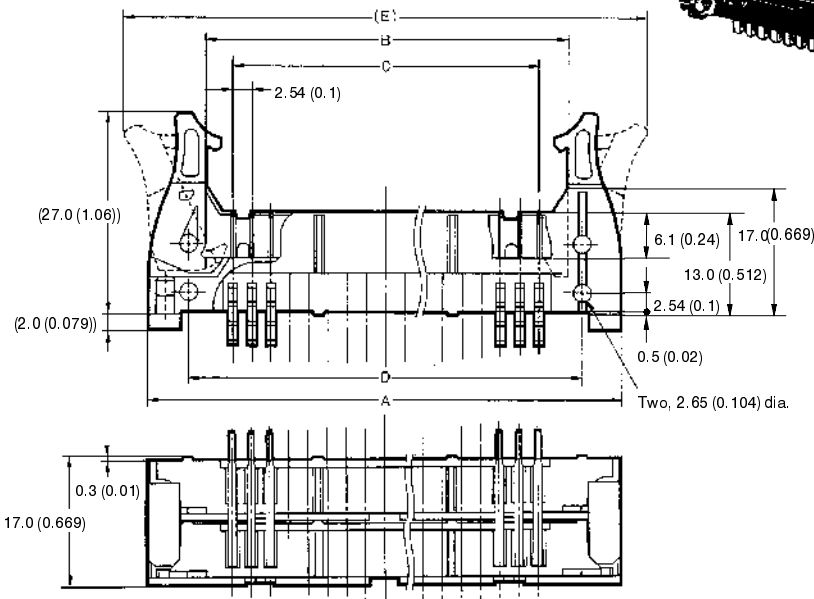
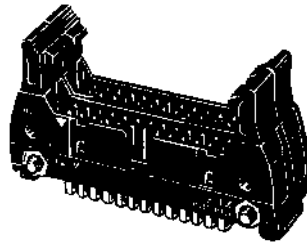
Type	Model
Long lock	XG4Z-0010
Short lock	XG4Z-0011

XG4A Dual Port Type

With long lock

XG4A-__39-A/-__79-A

(Straight dip terminals)



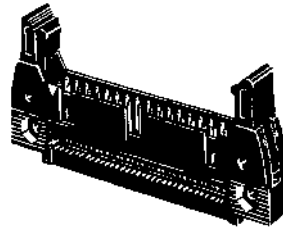
■ Ordering Information

No. of contacts	Model	Dimensions [mm (ins.)]					Polarity slots
	Straight dip terminals	A	B	C	D	E	
10 x 2	XG4A-1079-A	32.0 (1.26)	17.5 (0.69)	10.16 (0.4)	21.8 (0.86)	38.8 (1.53)	0
	XG4A-1039-A						1
14 x 2	XG4A-1439-A	37.1 (1.46)	22.6 (0.89)	15.24 (0.6)	26.9 (1.06)	43.9 (1.73)	1
16 x 2	XG4A-1639-A	39.6 (1.56)	25.2 (0.99)	17.78 (0.7)	29.5 (1.16)	46.5 (1.83)	1
20 x 2	XG4A-2039-A	44.7 (1.76)	30.2 (1.19)	22.86 (0.9)	34.5 (1.36)	51.5 (2.03)	1
26 x 2	XG4A-2639-A	52.3 (2.06)	37.9 (1.49)	30.48 (1.2)	42.2 (1.66)	59.2 (2.33)	1
30 x 2	XG4A-3039-A	57.4 (2.26)	42.9 (1.69)	35.56 (1.4)	47.2 (1.86)	64.2 (2.53)	1
34 x 2	XG4A-3439-A	62.5 (2.46)	48.0 (1.89)	40.64 (1.6)	52.3 (2.06)	69.3 (2.73)	1
40 x 2	XG4A-4039-A	70.1 (2.76)	55.6 (2.19)	48.26 (1.9)	59.9 (2.36)	76.9 (3.03)	1
50 x 2	XG4A-5039-A	82.8 (3.26)	68.3 (2.69)	60.96 (2.4)	72.6 (2.86)	89.6 (3.53)	1
	XG4A-5079-A						2
60 x 2	XG4A-6039-A	95.5 (3.76)	81.0 (3.19)	73.66 (2.9)	85.3 (3.36)	102.3 (4.03)	1
	XG4A-6079-A						2
64 x 2	XG4A-6439-A	100.6 (3.96)	86.1 (3.39)	78.74 (3.1)	90.4 (3.56)	107.4 (4.23)	1
	XG4A-6479-A						2

- Note:**
1. Comes in a set with stopper and screws included.
 2. Polarity slot pitch (for 50-, 60-, and 64-contact models) is 22.86 mm (0.911 in.).

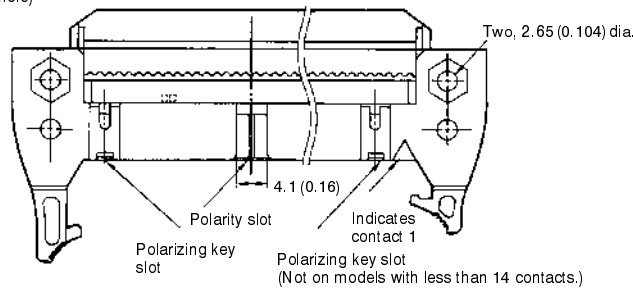
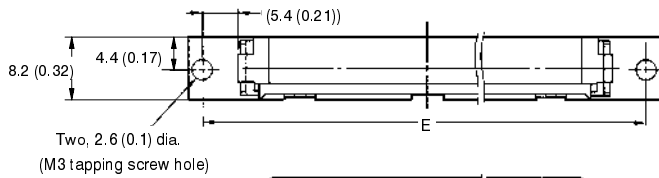
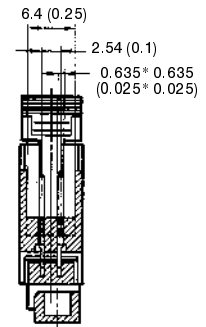
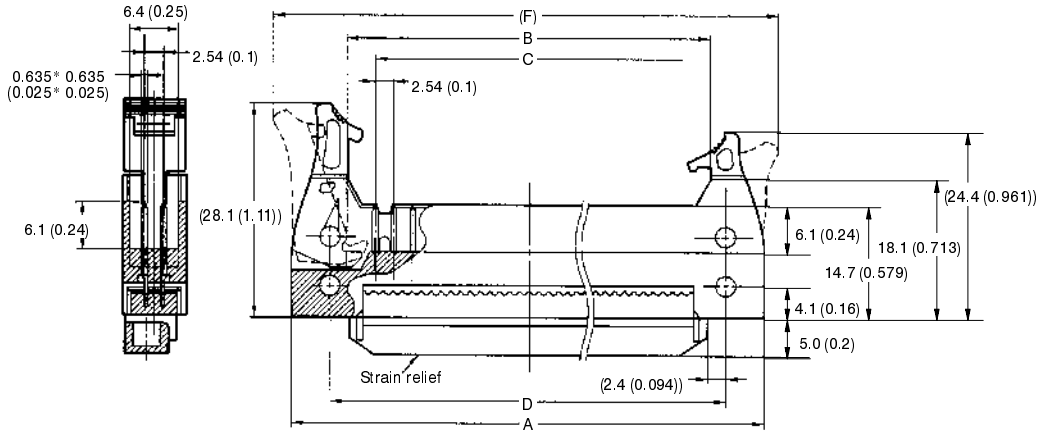
XG4E IDC Plug

XG4E-__31/-__71 (With long lock)
 XG4E-__32/-__72 (With short lock)

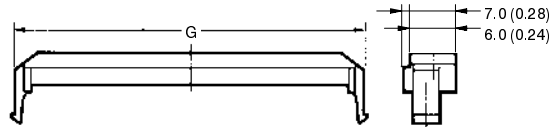
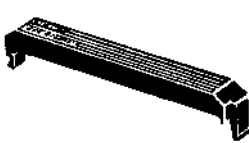


(Long lock type)

(Short lock type)



XG4S-__04
 Strain relief



■ Ordering Information

No. of contacts	Polarity guides	Model			Dimensions [mm (ins.)]							
		With long lock*	With short lock*	Strain relief (for XG4E)**	A	B	C	D	E	F: Long Lock	F: Short Lock	G
10	0	XG4E-1071	XG4E-1072	XG4S-1004	32.0	17.5	10.16	21.8	27.9	38.8	35.8	16.9
	1	XG4E-1031	XG4E-1032		(1.26)	(0.69)	(0.4)	(0.86)	(1.1)	(1.53)	(1.41)	(0.67)
14	1	XG4E-1431	XG4E-1432	XG4S-1404	37.1 (1.46)	22.6 (0.89)	15.24 (0.6)	26.9 (1.06)	33.0 (1.3)	43.9 (1.73)	40.9 (1.61)	22.0 (0.87)
16	1	XG4E-1631	XG4E-1632	XG4S-1604	39.6 (1.56)	25.2 (0.99)	17.78 (0.7)	29.5 (1.16)	35.6 (1.4)	46.5 (1.83)	43.5 (1.71)	24.6 (0.97)
20	1	XG4E-2031	XG4E-2032	XG4S-2004	44.7 (1.76)	30.2 (1.19)	22.86 (0.9)	34.5 (1.36)	40.6 (1.6)	51.5 (2.03)	48.5 (1.91)	29.6 (1.17)
26	1	XG4E-2631	XG4E-2632	XG4S-2604	52.3 (2.06)	37.9 (1.49)	30.48 (1.2)	42.2 (1.66)	48.3 (1.9)	59.2 (2.33)	56.2 (2.21)	38.0 (1.5)
30	1	XG4E-3031	XG4E-3032	XG4S-3004	57.4 (2.26)	42.9 (1.69)	35.56 (1.4)	47.2 (1.86)	53.3 (2.1)	64.2 (2.53)	61.2 (2.41)	42.3 (1.67)
34	1	XG4E-3431	XG4E-3432	XG4S-3404	62.5 (2.46)	48.0 (1.89)	40.64 (1.6)	52.3 (2.06)	58.4 (2.3)	69.3 (2.73)	66.3 (2.61)	47.4 (1.87)
40	1	XG4E-4031	XG4E-4032	XG4S-4004	70.1 (2.76)	55.6 (2.19)	48.26 (1.9)	59.9 (2.36)	66.0 (2.6)	76.9 (3.03)	73.9 (2.91)	55.0 (2.17)
50	1	XG4E-5031	XG4E-5032	XG4S-5004	82.8	68.3	60.96	72.6	78.7	89.6	86.6	67.7
	2	XG4E-5071	XG4E-5072		(3.26)	(2.69)	(2.4)	(2.86)	(3.1)	(3.53)	(3.41)	(2.67)
60	1	XG4E-6031	XG4E-6032	XG4S-6004	95.5	81.0	73.66	85.3	91.4	102.3	99.3	80.4
	2	XG4E-6071	XG4E-6072		(3.76)	(3.19)	(2.9)	(3.36)	(3.6)	(4.03)	(3.91)	(3.17)
64	1	XG4E-6431	XG4E-6432	XG4S-6404	100.6	86.1	78.74	90.4	96.5	107.4	104.4	85.5
	2	XG4E-6471	XG4E-6472		(3.96)	(3.39)	(3.1)	(3.56)	(3.8)	(4.23)	(4.11)	(3.37)

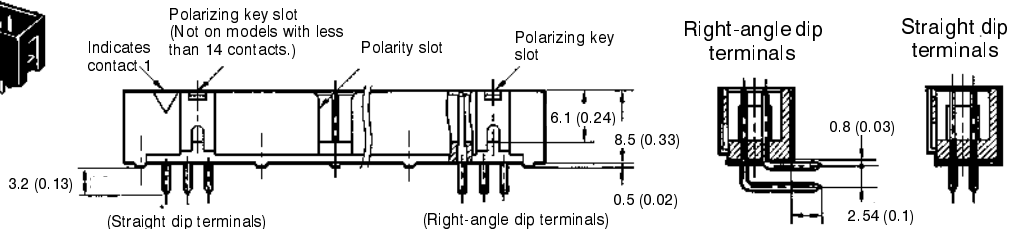
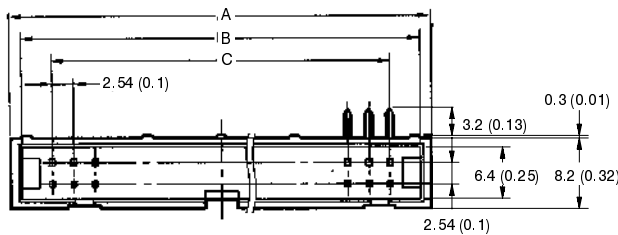
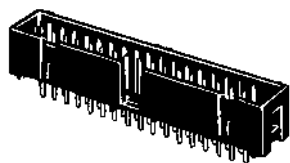
*Comes with open end cover.

**Strain relief sold separately.

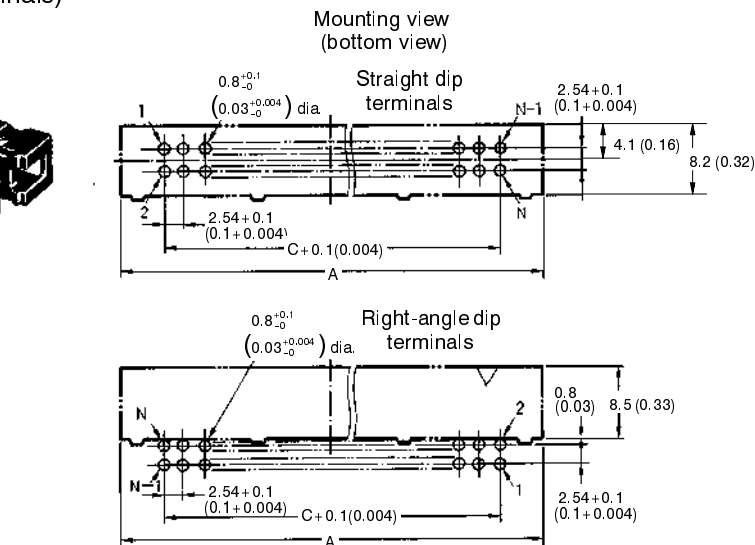
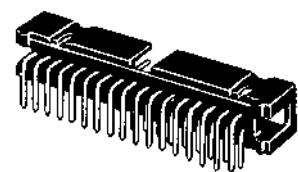
XG4C Box-type Plug

Box-type

XG4C--_31/-1071
(Straight dip terminals)



XG4C--_34/-1074
(Right-angle dip terminals)



Ordering Information

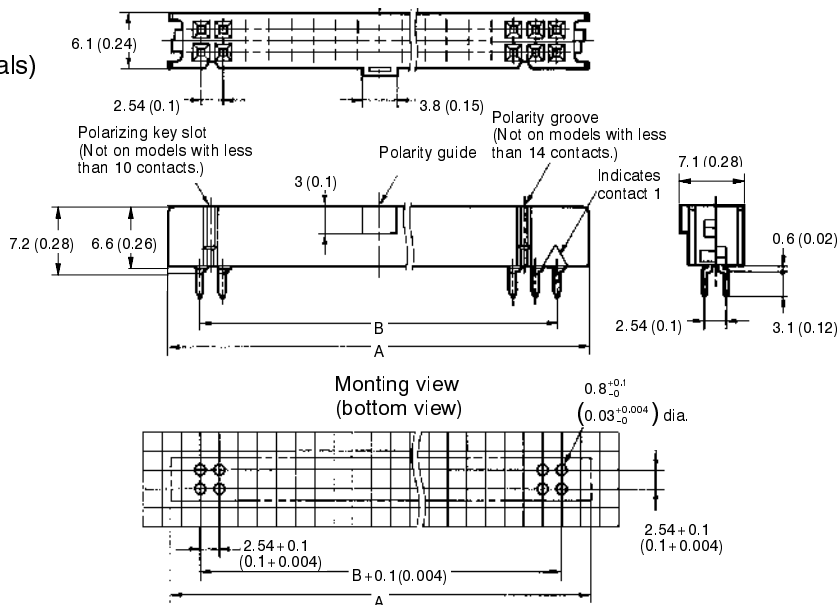
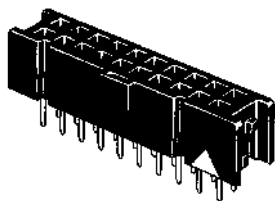
No. of contacts	Polarity slots	Model		Dimensions [mm (ins.)]		
		Straight dip terminals	Right-angle dip terminals	A	B	C
10	0	XG4C-1071	XG4C-1074	20.0 (0.79)	17.5 (0.69)	10.16 (0.4)
	1	XG4C-1031	XG4C-1034			
14	1	XG4C-1431	XG4C-1434	25.1 (0.99)	22.6 (0.89)	15.24 (0.6)
16	1	XG4C-1631	XG4C-1634	27.6 (1.09)	25.2 (0.99)	17.78 (0.7)
20	1	XG4C-2031	XG4C-2034	32.7 (1.29)	30.2 (1.19)	22.86 (0.9)
26	1	XG4C-2631	XG4C-2634	40.3 (1.59)	37.9 (1.49)	30.48 (1.2)
30	1	XG4C-3031	XG4C-3034	45.4 (1.79)	42.9 (1.69)	35.56 (1.4)
34	1	XG4C-3431	XG4C-3434	50.5 (1.99)	48.0 (1.89)	40.64 (1.6)
40	1	XG4C-4031	XG4C-4034	58.1 (2.29)	55.6 (2.19)	48.26 (1.9)
50	1	XG4C-5031	XG4C-5034	70.8 (2.79)	68.3 (2.69)	60.96 (2.4)
	2	XG4C-5071	XG4C-5074			
60	1	XG4C-6031	XG4C-6034	83.5 (3.29)	81.0 (3.19)	73.66 (2.9)
	2	XG4C-6071	XG4C-6074			
64	1	XG4C-6431	XG4C-6434	88.6 (3.49)	86.1 (3.39)	78.74 (3.1)
	2	XG4C-6471	XG4C-6474			

Note: The box-type plug can be locked using lock lever II (sold separately.) (See page 25)

XG4H Board-to-board Socket

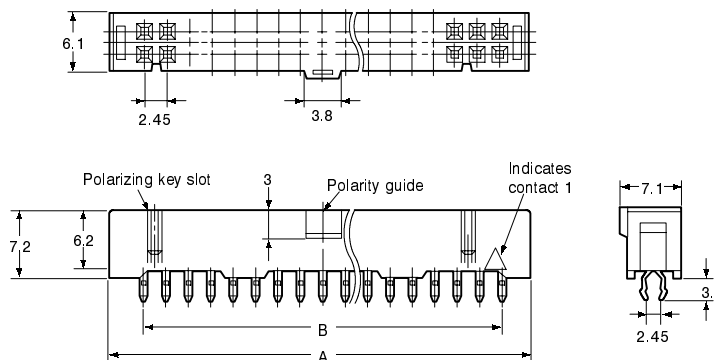
XG4H-__31

XG4H-__71 (Straight dip terminals)



XG4H-3431-1

XG4H-4031-1

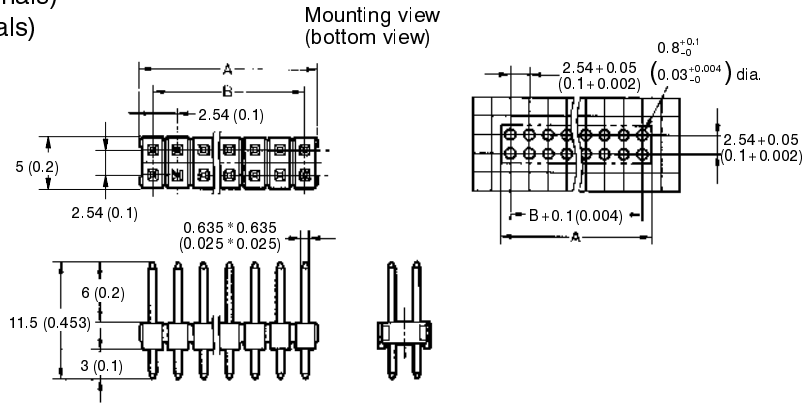
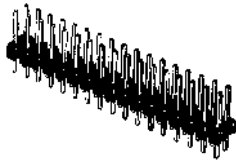


■ Ordering Information

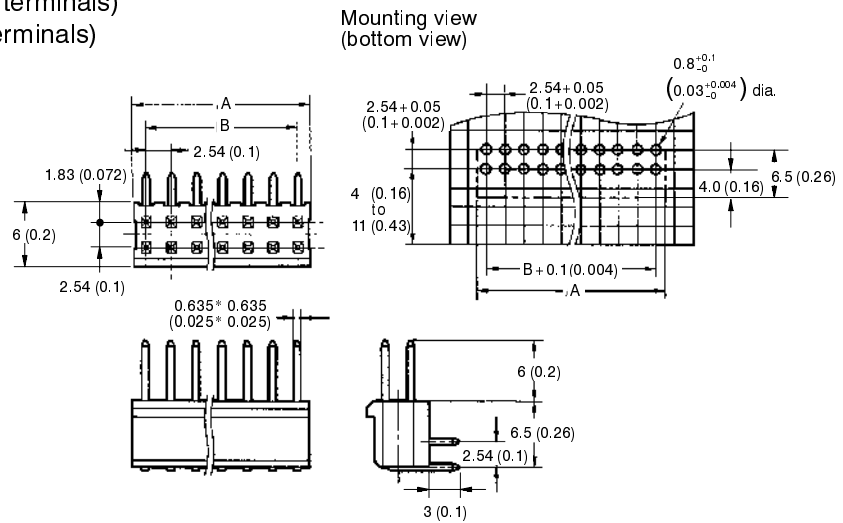
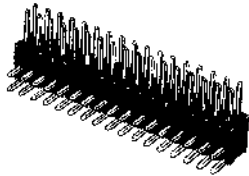
No. of contacts	Polarity guides	Model	Dimensions [mm (ins.)]	
		Straight dip terminals	A	B
10	1	XG4H-1031	17.3 (0.68)	10.16 (0.4)
14	1	XG4H-1431	22.3 (0.88)	15.24 (0.6)
16	1	XG4H-1631	24.9 (0.98)	17.78 (0.7)
20	1	XG4H-2031	30.0 (1.18)	22.86 (0.9)
26	1	XG4H-2631	37.6 (1.48)	30.48 (1.2)
30	1	XG4H-3031	42.7 (1.68)	35.56 (1.4)
34	1	XG4H-3431-1	47.7 (1.88)	40.64 (1.6)
40	1	XG4H-4031-1	55.4 (2.18)	48.26 (1.9)
50	1	XG4H-5031	68.1 (2.68)	60.96 (2.4)
	2	XG4H-5071		
60	1	XG4H-6031	80.8 (3.18)	73.66 (2.9)
	2	XG4H-6071		
64	1	XG4H-6431	85.8 (3.38)	78.74 (3.1)
	2	XG4H-6471		

XG8W New Unshrouded Plugs (For MIL type Connectors)

XG8W-__31 (Gold plated, straight terminals)
XG8W-__41 (Tin plated, straight terminals)



XG8W-__34 (Gold plated, right-angle terminals)
XG8W-__44 (Tin plated, right-angle terminals)



Ordering Information

No. of contacts	Straight terminals		Dimensions [mm (ins.)]		Right-angle terminals		Dimensions [mm (ins.)]	
	Gold plated	Tin plated	A	B	Gold plated	Tin plated	A	B
10	XG8W-1031	XG8W-1041	12.7 (0.5)	10.16 (0.4)	---	---		
14	XG8W-1431	XG8W-1441	17.8 (0.7)	15.24 (0.6)	---	---		
16	XG8W-1631	XG8W-1641	20.3 (0.8)	17.78 (0.7)	---	---		
20	XG8W-2031	XG8W-2041	25.4 (1)	22.86 (0.9)	XG8W-2034	XG8W-2044	25.4 (1)	22.86 (0.9)
26	XG8W-2631	XG8W-2641	33.0 (1.3)	30.48 (1.2)	XG8W-2634	XG8W-2644	33.0 (1.3)	30.48 (1.2)
30	XG8W-3031	XG8W-3041	38.1 (1.5)	35.56 (1.4)	XG8W-3034	XG8W-3044	38.1 (1.5)	35.56 (1.4)
34	XG8W-3431	XG8W-3441	43.2 (1.7)	40.64 (1.6)	XG8W-3434	XG8W-3444	43.2 (1.7)	40.64 (1.6)
40	XG8W-4031	XG8W-4041	50.1 (1.97)	48.26 (1.9)	XG8W-4034	XG8W-4044	50.8 (2)	48.26 (1.9)
50	XG8W-5031	XG8W-5041	63.5 (2.5)	60.96 (2.4)	XG8W-5034	XG8W-5044	63.5 (2.5)	60.96 (2.4)
60	XG8W-6031	XG8W-6041	76.2 (3)	73.66 (2.9)	---	---		

■ Ratings/Characteristics

Rated current	*3 A max. (at 20°C)
Rated voltage	300 VAC
Contact resistance	**20 mΩ max. (at 20 mV, 100 mA max.)
Insulation resistance	1,000 MΩ min. (at 500 VDC)
Withstand voltage	650 VAC for 1 min. (leakage current 1 mA max.)
Operating temperature	-55°C to 85°C

*The rated current will depend on the socket you are using. For example, is using the XG4M, the rated current is 1 A.

**The contact resistance is measured for a combination with the XG5 connector.

■ Materials/Finish

Base	PBT resin with glass (UL94V-0)/black	
Contacts	Mating end	Brass/nickel base, 0.15 μm gold plated
	Terminal	Brass/nickel base, 2 μm tin plated

■ Recommended Sockets

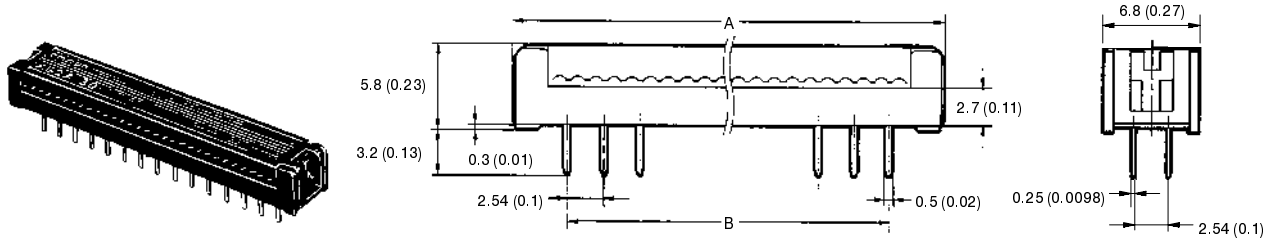
XG8W	XG4M Flat cable connector (socket)
XG8B	XG5M Wire IDC connector (double-row assembled socket)

XG2A Double-row PCB Type

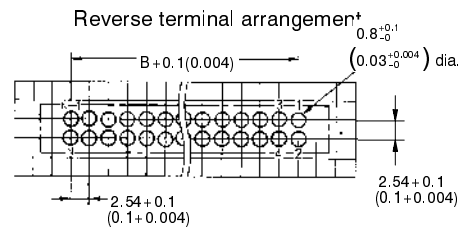
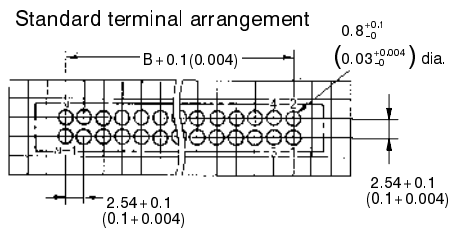
■ Dimensions

Standard terminal arrangement/XG2A-__01

Reverse terminal arrangement/XG2A-__02



Mounting view
(bottom view)



■ Ordering Information

No. of contacts	Model		Dimensions [mm (ins.)]	
	Standard terminal arrangement	Reverse terminal arrangement	A	B
10	XG2A-1001	XG2A-1002	17.9 (0.71)	10.16 (0.4)
14	XG2A-1401	XG2A-1402	22.9 (0.90)	15.24 (0.6)
16	XG2A-1601	XG2A-1602	25.5 (1.02)	17.78 (0.7)
20	XG2A-2001	XG2A-2002	30.6 (1.2)	22.86 (0.9)
26	XG2A-2601	XG2A-2602	38.2 (1.5)	30.46 (1.2)
30	XG2A-3001	XG2A-3002	43.3 (1.7)	35.56 (1.4)
34	XG2A-3401	XG2A-3402	48.3 (1.9)	40.64 (1.6)
40	XG2A-4001	XG2A-4002	56.0 (2.2)	48.26 (1.9)
50	XG2A-5001	XG2A-5002	68.7 (2.7)	60.96 (2.4)
60	XG2A-6001	XG2A-6002	81.4 (3.2)	73.66 (2.9)
64	XG2A-6401	XG2A-6402	86.4 (3.4)	78.74 (3.1)

Note: The cover is an open-end type.

■ Precautions

- There is no strain relief for the PCB connector. Do not apply pressure to it.

■ Ratings/Characteristics

Rated current	1 A (at 20 °C)
Rated voltage	250 VAC
Contact resistance	15 mΩ max. (at 20 mV, 100 mA max.)
Insulation resistance	1,000 MΩ min. (at 500 VDC)
Withstand voltage	500 VAC for 1 minute (leakage current 1 mA max.)
Operating temperature	-55 °C to 85 °C

■ Materials/Finish

Base	PBT resin with glass (UL94V-0)/black	
Contacts	Mating end	Copper alloy/nickel base, 2μm tin plated
	Terminals	Copper alloy/nickel base, 2μm tin plated
Cover	PBT resin with glass (UL94V-0)/black	

■ Recommended Wires

1.27-mm (0.05-in.) pitch flat cable

AWG28 (strand wire)

■ Cable Number and Contact Position

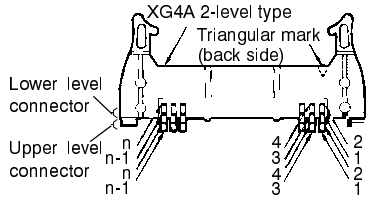
● Cable and corresponding contact no.

The contact numbers are not printed on the connector. Use the triangular mark as a guide when wiring and designing circuit boards.

For the cable number, count starting from the cable mark side as shown below.

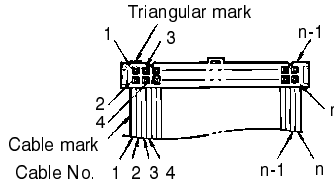
XG4A

2-level type right-angle terminal plug (terminal side)



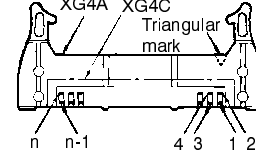
XG4M/XG4H

Socket (mating side)



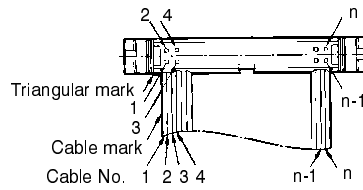
XG4A

Right-angle terminal plug (terminal side)



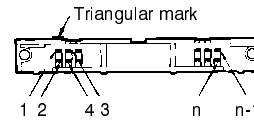
XG4E

IDC plug



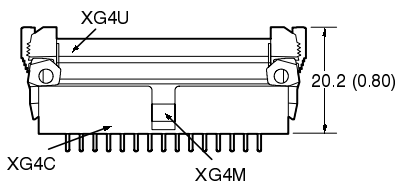
XG4A

Straight terminal plug (terminal side)

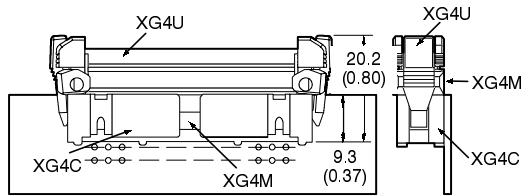


■ Mated Dimensions

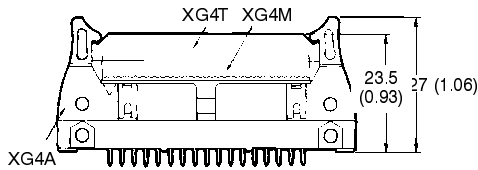
XG4U and XG4M and XG4C (Straight terminal)



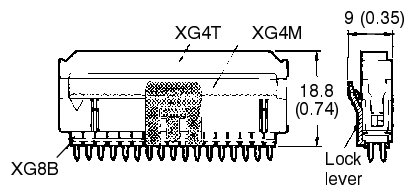
XG4U and XG4M and XG4C (Right-angle terminal)



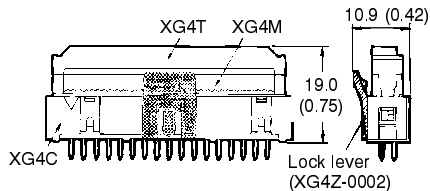
XG4T and XG4M and XG4A



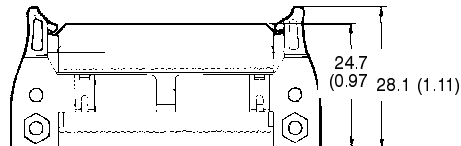
XG4T and XG4M and XG8B (original plug) and lock lever



XG4T and XG4M and XG4C and lock lever



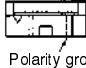
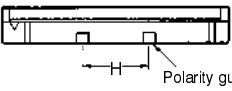



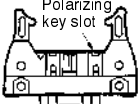
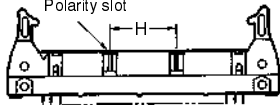
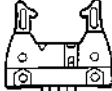







XG4T and XG4M and XG4E



■ Mated Dimensions

Socket type	Plug type	
	XG8W Original plug	XG4C Box-type plug
XG4H-__31/-__71 (Straight dip terminal)		
XG4H-4034 (Right-angle dip terminal)		

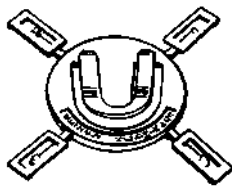
■ Polarity Slots and Polarizing Keys

Classification	No. of contacts				
	10 contacts		14 contacts	16 to 40 contacts	50 to 64 contacts
XG4M MIL-type socket	XG4M-1031	XG4M-1030	XG4M-1430	 <p>XG4M-1630 to XG4M-6430</p> <p>Polarity groove</p>	 <p>XG4M-5031, XG4M-6031, XG4M-6431</p> <p>Polarity guide</p>
					
XG4A MIL-type plug XG4E IDC-type plug	XG4A-107_ XG4E-107_	XG4A-103_ XG4E-103_	XG4A-143_ XG4E-143_	 <p>XG4A-163_ to XG4A-643_</p> <p>XG4E-163_ to XG4E-643_</p> <p>Polarizing key slot</p>	 <p>XG4A-507_ , XG4A-607_ , XG4A-647_</p> <p>Polarity slot</p> <p>XG4E-507_ , XG4E-607_ , XG4E-647_</p>
					
XG4C Box-type plug	XG4C-107_	XG4C-103_	XG4C-143_	 <p>XG4C-163_ to XG4C-643_</p> <p>Polarity slot</p>	 <p>XG4C-507_ , XG4C-607_ , XG4C-647_</p> <p>Polarity slot</p>
					
Polarity guides (No. of polarity slots)	0	1	1	1	1 2 [H = 22.86 mm (0.90 in.)]
Polarity grooves (No. of polarizing key slots)	1	0	1	2	2

■ Other Information

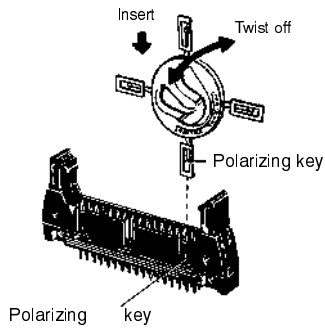
● Polarizing Key XG4Z-0004

Polarity guides and slots can be used by themselves to help prevent reverse insertion. The polarizing key should be used as well for best results.



Material:
PBT resin (UL94V-0)/white

• How to use



* There are four polarizing keys provided in each of XG4Z-0004.

● Coding Pin XG4Z-0005

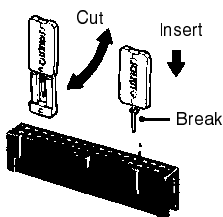
(To prevent erroneous insertion.)

This pin is used to prevent confusion when many connectors with the same number of contacts are lined up. It can also be used to prevent reverse insertion when using connectors without a shroud like the unshrouded plug (XG8). The coding pin can also be used with DIN connectors XC2, XC5, and XC6; also discrete-wire IDC connector XG5.



Material:
PBT resin (UL94V-0)/white

• How to use



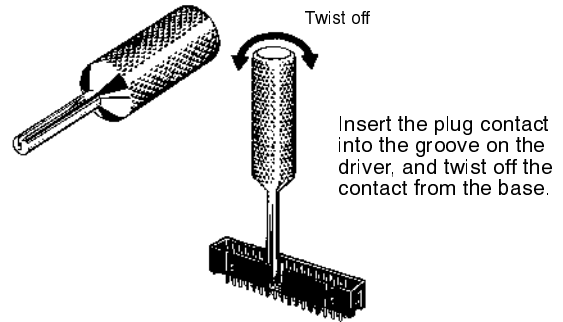
Note: A contact with the coding pin inserted cannot be used.

* There are four coding pins provided in each of XG4Z-0005.

● Contact Cutting Driver XY2E-0002

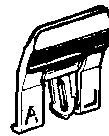
This driver is used to cut (twist off) a contact when using a coding pin (XG4Z-0005) on the mating plug.

• How to use

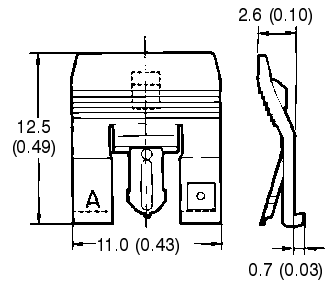
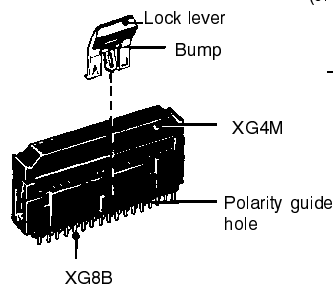


● Lock Lever XG5Z-0002 (for XG4M/XG5M)

Use with the original plug lock (right-angle terminals XG8B or XG8WL).



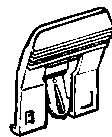
Material:
Polyamide resin (UL94V-2)/natural



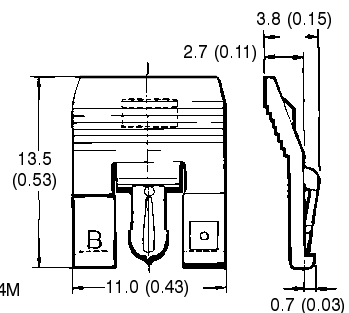
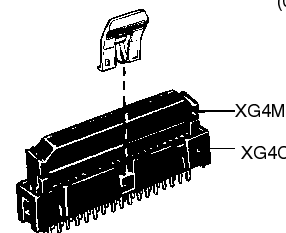
Insert the bump on the lock lever into the guide hole.

● Lock Lever II XG4Z-0002 (for XG4M/XG5M)

Use with the box-type plug lock XG4C.

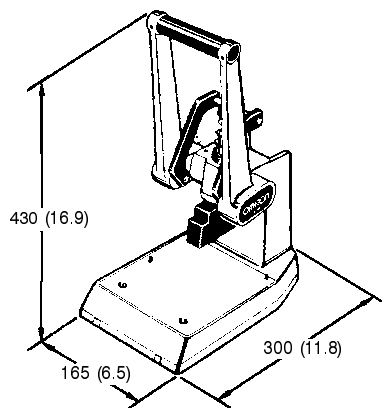


Material:
Polyamide resin (UL94V-2)/natural



■ IDC Tool

XY2B-0002



■ IDC Tool for XG4M/XG2A

Attachment

XY2B-1007

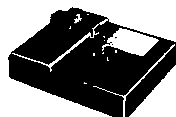
(For XG4M only)

Locator groove Cable stopper



XY2B-1006

(For XG2A only)



● Operation

XG4M series connectors should be set face-down into the attachment locator groove (XG2A series connectors should be set with the contacts in the attachment). Insert the cable until it is flush against the cable stopper. Connections are made by pulling the handle towards you until it stops. For details on operation see the supplied operation manual.

Ordering Information

IDC Tool	Attachment	Recommended socket
XY2B-0002	XY2B-1007	XG4M (all)
	XY2B-1006	XG2A (all)

■ IDC Tool for XG4E

Attachment

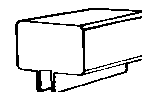
XY2B-1004

(For XG4E only)

Spacer

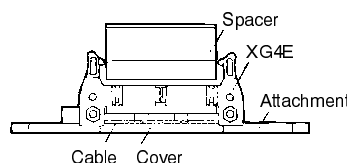
XY2B-14__

(For XG4E only)



● Operation

XG4E series connectors should be set face-down into the attachment locator groove. Insert the cable until it is flush against the cable stopper. Then, set the spacer that matches the plug to be used. Connections are made by pulling the handle towards you until it stops.



Ordering Information

IDC Tool	Attachment	Spacer	Recommended plug
XY2B-0002	XY2B-1004	XY2B-1401	XG4E-10_1/-10_2 XG4E-1431/-1432
		XY2B-1402	XG4E-1631/-1632 XG4E-2031/-2032
		XY2B-1403	XG4E-2631/-2632 XG4E-3031/-3032
		XY2B-1404	XG4E-3431/-3432
		XY2B-1405	XG4E-4031/-4032
		XY2B-1406	XG4E-50_1/50_2
		XY2B-1407	XG4E-60_1/-60_2 XG4E-64_1/-64_2

■ Precautions

● Conditions for automatic soldering (jet type)

- Soldering temperature: $250^{\circ}\text{C} \pm 5^{\circ}\text{C}$
- Continuous soldering period: 5 seconds or less

● Handling of XG4U

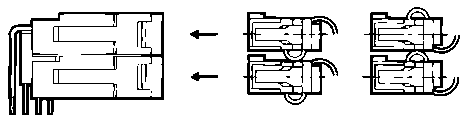
Do not use or store XG4U's in an environment condensed with magnetic particles.

● Mounting of XG4A (2-level type)

- Be sure to anchor the board with screws before mounting.
- Note that a polarity key cannot be mounted on the lower level plug.

● Connecting the socket, XG4A (2-level type)

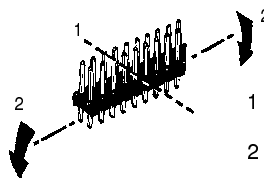
- Before connecting the XG4M, (with strain relief) decrease the amount of slack flat cable as much as possible. Insert as shown below.



- When connecting XG5M-N, be sure to use a semi-cover. Hood covers cannot be used.

● Polarization of XG8W (straight terminal)

When you need to polarize XG8W, scratch the groove with a cutter as shown below and then, bend it in the direction shown by arrows. You can easily create a piece with desired number of poles in this manner.



1 Make a scratch with a cutter along the dotted line.

2 Break it by bending in the direction shown by the arrows.

● Handling of XG2A

- PCB connectors are not equipped with a strain relief. Be sure to adjust the cable length to provide enough slack so that external force does not apply to the cable.
- Bases and covers are not directional. Therefore, it does not matter in which direction you set the base and the cover in IDC operation.
- Refer to the previous page for the information on special tools, such as an IDC tool.