

Z/A/X/DZ Common Accessories

Z/A/X/DZ

Ordering Information

■ List of Models

Terminal Covers (Sold Separately)

Common to Z, A, X, and DZ Models

The Terminal Cover is secured with mounting screws and protects the casing and terminal wires from dust, vibration, or fingers, thus preventing terminal short-circuiting, ground faults, wire disconnection or improper connection, and electric shock accidents.

Terminal Covers made of phenol resin have five or six thin wall sections. These sections can be torn open for providing holes for lead cables at desired points.

Material	Application Mounting direction	Soldering terminal use	Screw terminal use	Remarks
		Model		
Phenol resin	Side mounting	AP-A	AP-B	---
Metal press mold	Side mounting	AP1-A	AP1-B	Used for AP-A and AP-B
Vinyl chloride	Side mounting	AP-Z		---

Note: Use the screw-terminal use Terminal Cover for DZ-series soldering-terminal models.

Separator (Sold Separately)


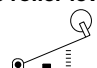

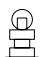
Common to Z, A, X, and DZ Models

Model: Separator for Z

Actuators (Sold Separately)

Common to Z and X Models

A Switch can be actuated by a cam or an appropriate object, in which case, use one of the following Actuators according to the application.

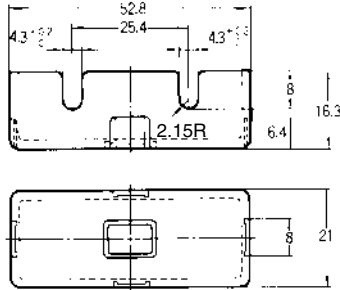
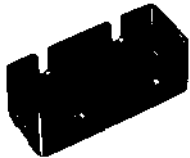
Actuator	Common to Z and X models	
Hinge lever 	XAA-1	
Hinge roller lever 	ZAA-2	
Panel mount plunger 	Short	ZAQ-3
	Medium	ZAQ-2
	Long	ZAQ-1
Panel mount roller plunger 	ZAQ-22	

Dimensions

■ Dimensions and Operating Characteristics

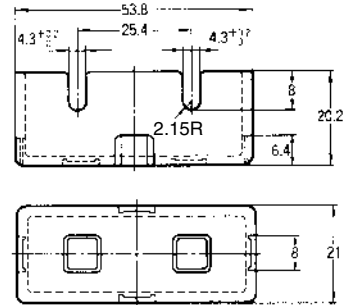
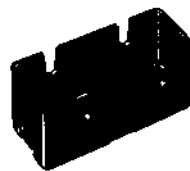
Terminal Covers

AP-A
Soldering Terminal Use
(Phenol Resin)



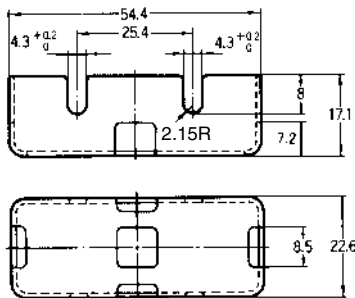
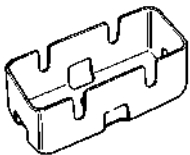
Note: The Cover has five thin, easy-to-separate portions for easy lead wire connections.

AP-B
Screw Terminal Use
(Phenol Resin)



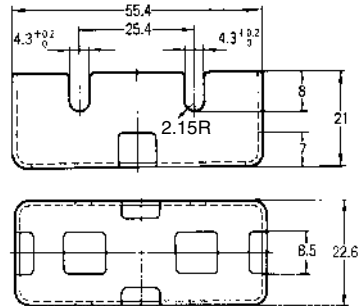
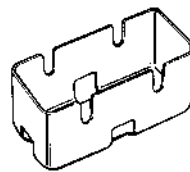
Note: The Cover has six thin, easy-to-separate portions for easy lead wire connections.

AP1-A
Soldering Terminal Use
(Metal Press Mold)



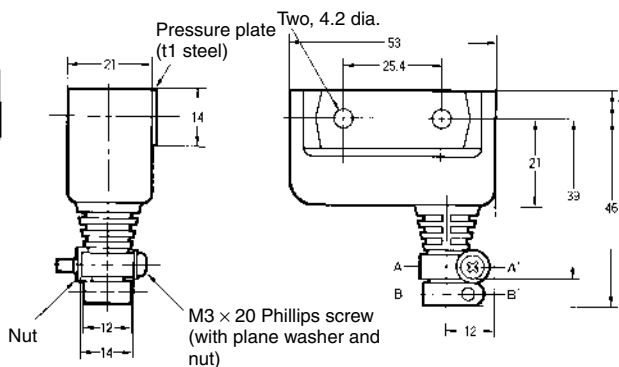
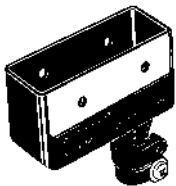
Note: 1. The Cover has five holes for easy lead wire connections.
2. AP1-A should be used with AP-A.

AP1-B
Screw Terminal Use
(Metal Press Mold)

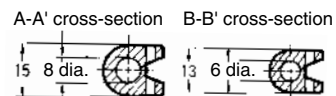


Note: 1. The Cover has six holes for easy lead wire connections.
2. AP1-B should be used with AP-B.

AP-Z
Soldering or Screw Terminal Use
(Vinyl Chloride)



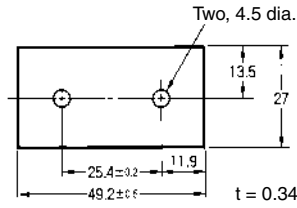
Cable Pull-out Dimension



Note: A 6-dia. or 8-dia. cable can be used by cutting the cable pull-out hole to the size of the cable to be used.

Note: Each dimension has a tolerance of ± 0.4 mm unless otherwise specified. (± 0.8 mm for the AP-Z)

Separator



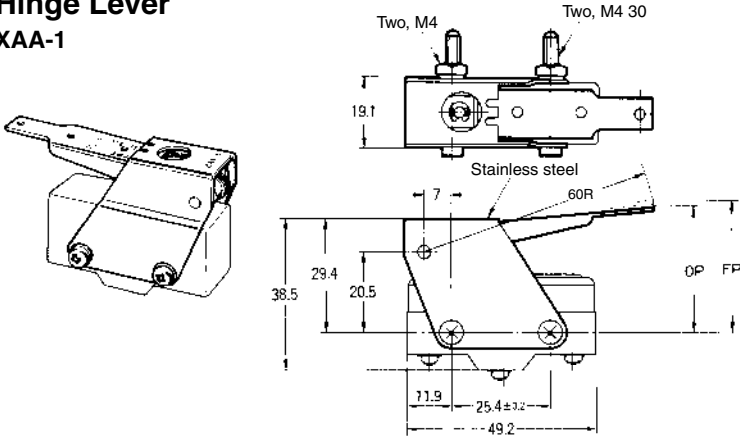
- Note:** 1. Each dimension has a tolerance of +0.4 mm unless otherwise specified.
 2. The material is EAVTC (Epoxide Alkyd Varnished Teflon Cloth) and its heat-resisting temperature is 130°C.

Actuators

Note: These Actuators are not provided with Switches.

Hinge Lever

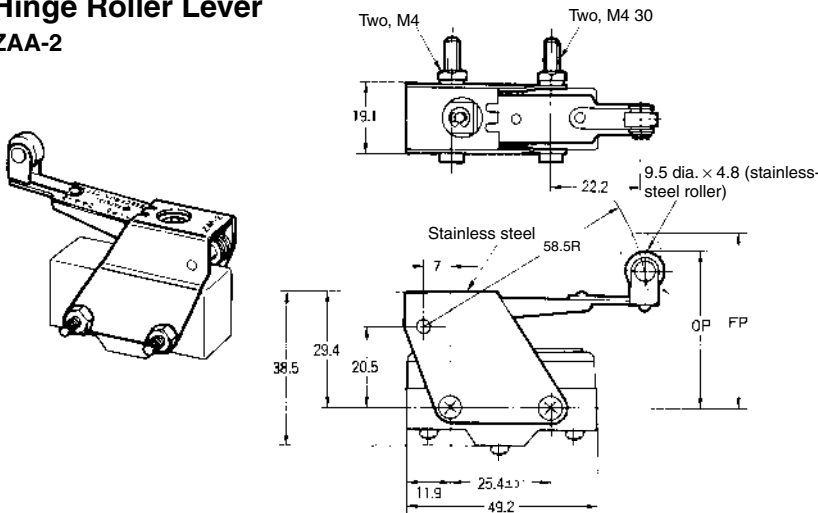
XAA-1



Model	Z-15G-B	X-10G-B
OF max.	4.90 n {500 gf}	4.90 n {500 gf}
RF min.	1.67 N {170 gf}	1.67 N {170 gf}
PT max.	6 mm	6 mm
OT min.	12.7 mm	12.7 mm
MD max.	2.2 mm	3.3 mm
FP max.	32.9±1.6 mm	

Hinge Roller Lever

ZAA-2

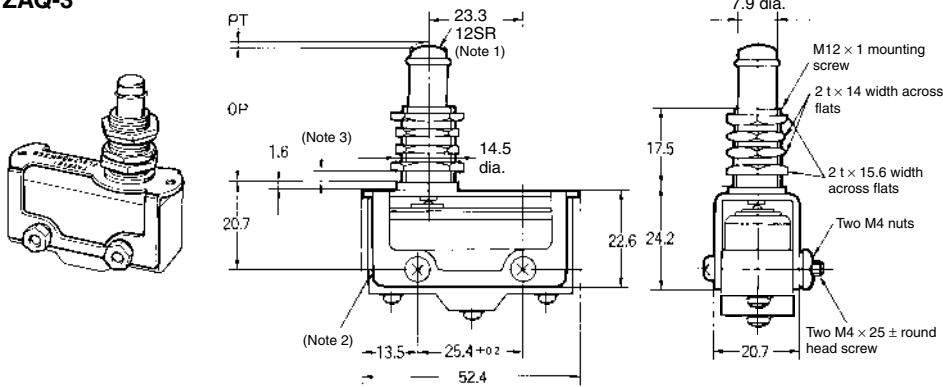


Model	Z-15G-B	X-10G-B
OF max.	4.90 n {500 gf}	4.90 n {500 gf}
RF min.	1.67 N {170 gf}	1.67 N {170 gf}
PT max.	6 mm	6 mm
OT min.	12.7 mm	12.7 mm
MD max.	2.2 mm	3.3 mm
FP max.	44.5±1.6 mm	

Note: Each dimension has a tolerance of ±0.4 mm unless otherwise specified.

Short Panel Mount Plunger

ZAQ-3



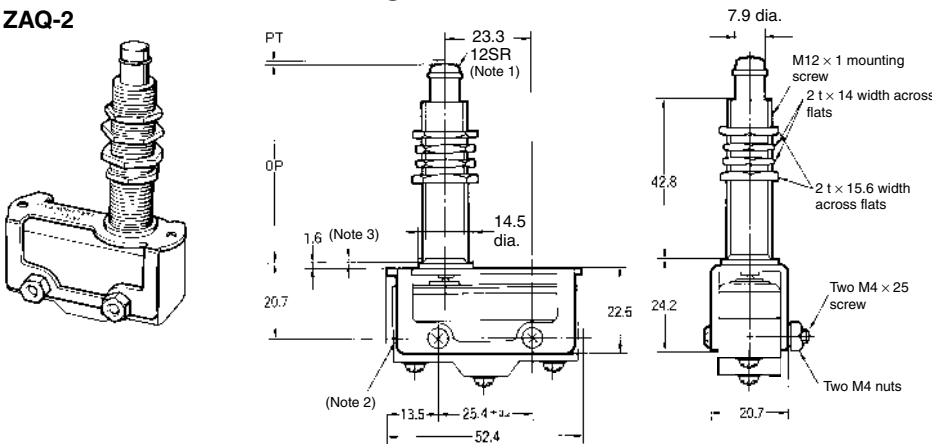
Model	ZAQ-3	
	Z-15E-B	X-10G-B
OF max.	8.34 N {850 gf}	5.39 N {550 gf}
RF min.	1.12 N {114 gf}	1.12 N {114 gf}
PT max.	0.8 mm	1 mm
OT min.	4.8 mm	4.5 mm
MD max.	0.15 mm	0.2 mm
OP	27.8±1.5 mm	

- Note:**
1. Stainless-steel pin plunger
 2. Bronze frame
 3. Incomplete screw section part with a maximum of 1.5 mm

Note: This Actuator (pin plunger) can be used with Standard Pin Plungers (Z-15G(-B), Z-15E(-B), X-10G(-B), DZ-10G-1A(-1B)) for the Z, X, and DZ models.

Medium Panel Mount Plunger

ZAQ-2



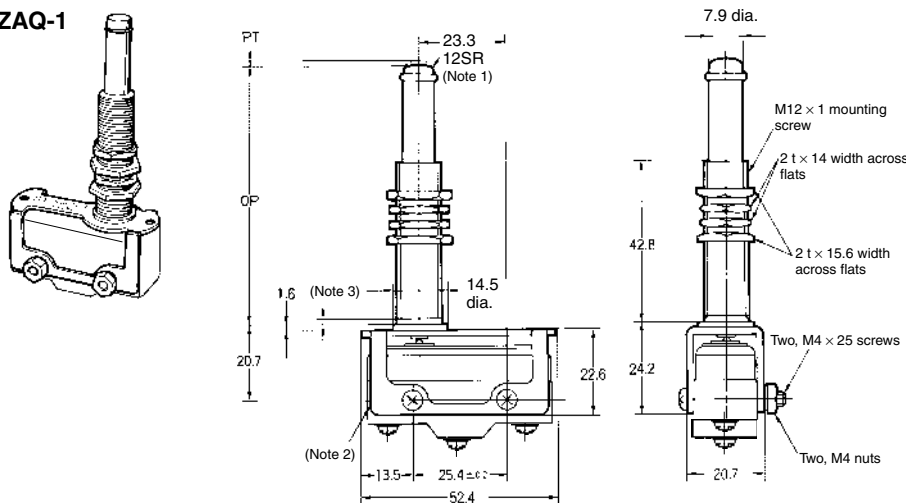
Model	ZAQ-2	
	Z-15E-B	X-10G-B
OF max.	8.34 N {850 gf}	5.39 N {550 gf}
RF min.	1.12 N {114 gf}	1.12 N {114 gf}
PT max.	0.8 mm	1 mm
OT min.	4.8 mm	4.5 mm
MD max.	0.15 mm	0.2 mm
OP	53.2±1.5 mm	

- Note:**
1. Stainless-steel pin plunger
 2. Bronze frame
 3. Incomplete screw section part with a maximum of 1.5 mm

Note: This Actuator (pin plunger) can be used with Standard Pin Plungers (Z-15G(-B), Z-15E(-B), X-10G(-B), DZ-10G-1A(-1B)) for the Z, X, and DZ models.

Long Panel Mount Plunger

ZAQ-1



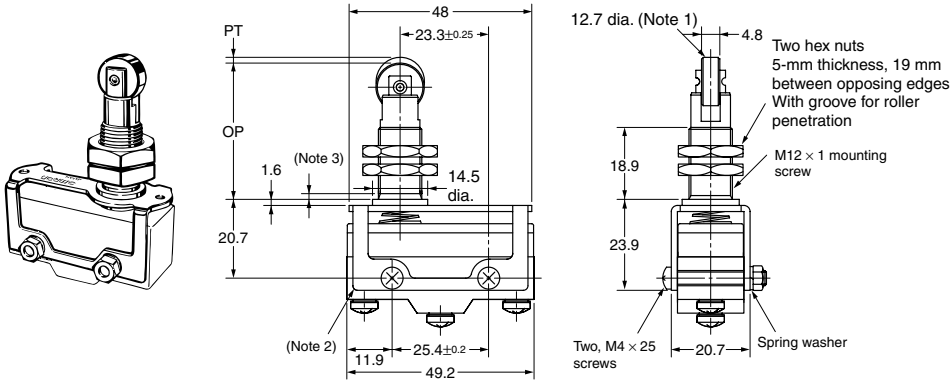
Model	ZAQ-1	
	Z-15E-B	X-10G-B
OF max.	8.34 N {850 gf}	5.39 N {550 gf}
RF min.	1.12 N {114 gf}	1.12 N {114 gf}
PT max.	0.8 mm	1 mm
OT min.	20.6 mm	20.4 mm
MD max.	0.15 mm	0.2 mm
OP	69.1±1.5 mm	

- Note:**
1. Stainless-steel pin plunger
 2. Bronze frame
 3. Incomplete screw section part with a maximum of 1.5 mm

Note: This Actuator (pin plunger) can be used with Standard Pin Plungers (Z-15G(-B), Z-15E(-B), X-10G(-B), DZ-10G-1A(-1B)) for the Z, X, and DZ models.

Panel Mount Roller Plunger

ZAQ-22



- Note:** 1. Stainless-steel pin plunger
 2. Bronze frame
 3. Incomplete screw section part with a maximum of 1.5 mm.

Model	ZAQ-22	
	Z-15E-B	X-10G-B
OF max.	8.34 N {850 gf}	5.39 N {550 gf}
RF min.	1.12 N {114 gf}	1.12 N {114 gf}
PT max.	0.8 mm	1 mm
OT min.	20.6 mm	20.4 mm
MD max.	0.15 mm	0.2 mm
OP	37±0.8 mm	

ALL DIMENSIONS SHOWN ARE IN MILLIMETERS.
 To convert millimeters into inches, multiply by 0.03937. To convert grams into ounces, multiply by 0.03527.