

Switch Mode Power Supply

S8JC-Z / S8JC-ZS

S8JC-ZS, newly released Power Supply with CE marking, additional models for economical Power Supply, S8JC-Z series.

S8JC-Z/S8JC-ZS is our best standard power supply for

- material cost reduction
- export machines, required safety standard
- time saving for installation by DIN-rail mounting



Model Number Structure

Model Number Legend

Note: Not all combinations are possible. Refer to *List of Models in Ordering Information* on page 2.

S8JC-Z -

1 2 3 4 5 6

- | | | | | | |
|---|--|---|---------------------------------------|---|---|
| 1. Conformed standards
None: no standard
S: CE (EN50178) | 2. Power Ratings
015: 15 W
035: 35 W
050: 50 W
100: 100 W
150: 150 W
350: 350 W | 3. Output Voltage
05: 5 V
12: 12 V
24: 24 V
48: 48 V | 4. Configuration
C: Covered | 5. Configuration/mounting
None: Bottom-mounting
D: DIN Rail-mounting | 6. Input Voltage
None/AC2: 200 to 240 VAC |
|---|--|---|---------------------------------------|---|---|

Line-up & Feature

S8JC-Z series (15/35/50/100/150/350-W models)

Voltage	Power ratings					
	15 W	35 W	50 W	100 W	150 W	350 W
5 V	●	●	●	●	●	
12 V	●	●	●	●	●	
24 V	●	●	●	●	●	●
48 V	New	New	New	New	New	

For More application !

- More Output Voltage Specifications from 5 V to 48 V
- Various power rating range from 15 W to 350 W

S8JC-ZS series (15/35/50/100/150-W models)

Voltage	Power ratings				
	15 W	35 W	50 W	100 W	150 W
24 V	New	New	New	New	New

For More reliability !

- Conformed to CE marking
- Expanded operating temperature: -20°C to +70°C
- Improved Dielectric strength

S8JC-Z

Ordering Information

List of Models in S8JC-Z Series

Note: For details on normal stock models, contact your nearest OMRON representative.

Conformed standard	Configuration		Input voltage	Power ratings	Output voltage	Output current	Model	
None	Covered Power Supplies	Bottom-mounting	200 to 240 VAC	15 W	5 VDC	3.0 A	S8JC-Z01505C	
					12 VDC	1.3 A	S8JC-Z01512C	
					24 VDC	0.7 A	S8JC-Z01524C	
					48 VDC	0.35 A	S8JC-Z01548C	
				35 W	5 VDC	7.0 A	S8JC-Z03505C	
					12 VDC	3.0 A	S8JC-Z03512C	
					24 VDC	1.5 A	S8JC-Z03524C	
					48 VDC	0.75 A	S8JC-Z03548C	
				50 W	5 VDC	10.0 A	S8JC-Z05005C	
					12 VDC	4.2 A	S8JC-Z05012C	
					24 VDC	2.1 A	S8JC-Z05024C	
					48 VDC	1.1 A	S8JC-Z05048C	
		100 W		5 VDC	20.0 A	S8JC-Z10005C		
				12 VDC	8.5 A	S8JC-Z10012C		
				24 VDC	4.5 A	S8JC-Z10024C		
				48 VDC	2.3 A	S8JC-Z10048C		
		150 W		5 VDC	30.0 A	S8JC-Z15005C		
				12 VDC	12.5 A	S8JC-Z15012C		
				24 VDC	6.5 A	S8JC-Z15024C		
				48 VDC	3.3 A	S8JC-Z15048C		
		350 W		24 VDC	14.6 A	S8JC-Z35024C		
		DIN Rail-mounting		15 W	12 VDC	200 to 240 VAC	15 W	5 VDC
	12 VDC		1.3 A					S8JC-Z01512CD
	24 VDC		0.7 A					S8JC-Z01524CD
	48 VDC		0.35 A					S8JC-Z01548CD
	35 W		5 VDC		7.0 A		S8JC-Z03505CD	
			12 VDC		3.0 A		S8JC-Z03512CD	
			24 VDC		1.5 A		S8JC-Z03524CD	
			48 VDC		0.75 A		S8JC-Z03548CD	
	50 W		5 VDC		10.0 A		S8JC-Z05005CD	
			12 VDC		4.2 A		S8JC-Z05012CD	
			24 VDC		2.1 A		S8JC-Z05024CD	
			48 VDC		1.1 A		S8JC-Z05048CD	
	100 W		5 VDC	20.0 A	S8JC-Z10005CD			
			12 VDC	8.5 A	S8JC-Z10012CD			
			24 VDC	4.5 A	S8JC-Z10024CD			
			48 VDC	2.3 A	S8JC-Z10048CD			
	150 W		5 VDC	30.0 A	S8JC-Z15005CD			
			12 VDC	12.5 A	S8JC-Z15012CD			
			24 VDC	6.5 A	S8JC-Z15024CD			
			48 VDC	3.3 A	S8JC-Z15048CD			
	350 W		24 VDC	14.6 A	S8JC-Z35024CD			

List of Models in S8JC-ZS Series

Note: For details on normal stock models, contact your nearest OMRON representative.

Conformed standard	Configuration		Input voltage	Power ratings	Output voltage	Output current	Model
CE (EN50178)	Covered Power Supplies	Bottom-mounting	200 to 240 VAC	15 W	24 VDC	0.7 A	S8JC-ZS01524C-AC2
				35 W	24 VDC	1.5 A	S8JC-ZS03524C-AC2
				50 W	24 VDC	2.1 A	S8JC-ZS05024C-AC2
				100 W	24 VDC	4.5 A	S8JC-ZS10024C-AC2
		150 W		24 VDC	6.5 A	S8JC-ZS15024C-AC2	
		DIN Rail-mounting		15 W	24 VDC	0.7 A	S8JC-ZS01524CD-AC2
	35 W			24 VDC	1.5 A	S8JC-ZS03524CD-AC2	
	50 W			24 VDC	2.1 A	S8JC-ZS05024CD-AC2	
	100 W			24 VDC	4.5 A	S8JC-ZS10024CD-AC2	
	150 W			24 VDC	6.5 A	S8JC-ZS15024CD-AC2	

S8JC-Z

Ratings, Characteristics, and Functions

15-/35-W Models

Item	Power ratings		15 W					35 W					
	Series name		S8JC-Z			S8JC-ZS		S8JC-Z			S8JC-ZS		
Certification			---			CE(EN50178)		---			CE(EN50178)		
Output	Output voltage (VDC)		5 V	12 V	24 V	48 V	24 V	5 V	12 V	24 V	48 V	24 V	
	Output current		3.0 A	1.3 A	0.7 A	0.35 A	0.7 A	7.0 A	3.0 A	1.5 A	0.75 A	1.5 A	
	Voltage adjustment range (typical)		-10% to 10%					-10% to 10%					
	Ripple (typical)		100 mV			200 mV	50 mV	100 mV	150 mV		200 mV	50 mV	
	Startup time (typical)		300 ms					300 ms					
	Hold time (typical)		50 ms					30 ms					40 ms
Efficiency (typical)			74%	80%		86%	81%	75%	82%	84%	88%	83%	
Input	Voltage		200 to 240 VAC (185 to 264 VAC)					200 to 240 VAC (185 to 264 VAC)					
	Frequency 50/60 Hz (47 to 63 Hz)		50/60 Hz (47 to 64 Hz)					50/60 Hz (47 to 64 Hz)					
	Current (typical)		0.22 A					0.5 A					
	Leakage current		1 mA max.					1 mA max.					
	Inrush current (for a cold start at 25°C) (typical)		40 A					40 A					
Additional functions	Overload protection		105% of rated load current, voltage drop, intermittent, automatic reset					105% of rated load current, voltage drop, intermittent, automatic reset					
	Overvoltage protection		Yes					Yes					
	Parallel operation		No					No					
	Series operation		No					No					
Other	Ambient operating temperature *Refer to the derating curve in Engineering Data		S8JC-Z: *-10°C to 60°C S8JC-ZS: *-20°C to 70°C					S8JC-Z: *-10°C to 60°C S8JC-ZS: *-20°C to 70°C					
	Dielectric strength (detection current: 20 mA)	Between all inputs and outputs	S8JC-Z: 1.5 kVAC for 1 min. S8JC-ZS: 3 kVAC for 1 min.					S8JC-Z: 1.5 kVAC for 1 min. S8JC-ZS: 3 kVAC for 1 min.					
		Between all inputs and PE terminals	S8JC-Z: 1.5 kVAC for 1 min. S8JC-ZS: 2 kVAC for 1 min.					S8JC-Z: 1.5 kVAC for 1 min. S8JC-ZS: 2 kVAC for 1 min.					
		Between all outputs and PE terminals	S8JC-Z: 0.5 kVAC for 1 min. S8JC-ZS: 1 kVAC for 1 min.					S8JC-Z: 0.5 kVAC for 1 min. S8JC-ZS: 1 kVAC for 1 min.					
	Vibration resistance		10 to 55 Hz, 0.26-mm single amplitude for 2h each in X, Y, and Z directions					10 to 55 Hz, 0.26-mm single amplitude for 2h each in X, Y, and Z directions					
	MTBF		135,000 hrs					135,000 hrs					
	Warranty		1 year			2 years		1 year			2 years		
	Output indicator		Yes (Color: Green)					Yes (Color: Green)					
	Dimensions (W×H×D)	Bottom-mounting model		36×97×80 mm					38×98×129 mm				
		DIN Rail-mounting model (See note 3.)		46×97×105 mm					46×98×154 mm				
Weight (typical)	Bottom-mounting model		190 g					280 g					
	DIN Rail-mounting model		360 g					450 g					

- Note:** 1. Unless otherwise specified, all parameters are measured with a 230-VAC input, at the rated load, and at an ambient temperature of 25°C.
 2. Ripple and noise are measured at a bandwidth of 20 MHz.
 3. Refer to the dimensional diagrams for details on DIN Rail-mounting Models (excluding terminal blocks and DIN Rail products).

50-/100-W Models

Item	Power ratings Series name	50 W					100 W						
		S8JC-Z			S8JC-ZS		S8JC-Z			S8JC-ZS			
Certification		---					CE(EN50178)		---			CE(EN50178)	
Output	Output voltage (VDC)	5 V	12 V	24 V	48 V	24 V	5 V	12 V	24 V	48 V	24 V		
	Output current	10.0 A	4.2 A	2.1 A	1.1 A	2.1 A	20 A	8.5 A	4.5 A	2.3 A	4.5 A		
	Voltage adjustment range (typical)	-10% to 10%					-10% to 10%						
	Ripple (typical)	150 mV		100 mV	200 mV	50 mV	130 mV	120 mV	100 mV	200 mV	150 mV		
	Startup time (typical)	300 ms					300 ms		700 ms	600 ms	300 ms		
	Hold time (typical)	50 ms				30 ms	50 ms						
Efficiency (typical)		76%	83%	84%	86%	84%	78%	85%	86%	87%	87%		
Input	Voltage	200 to 240 VAC (185 to 264 VAC)					200 to 240 VAC (185 to 264 VAC)						
	Frequency 50/60 Hz (47 to 63 Hz)	50/60 Hz (47 to 64 Hz)					50/60 Hz (47 to 64 Hz)						
	Current (typical)	0.65 A	0.6 A				1.4 A						
	Leakage current	1 mA max.					1 mA max.						
	Inrush current (for a cold start at 25°C) (typical)	40 A					40 A						
Additional functions	Overload protection	105% of rated load current, voltage drop, intermittent, automatic reset					105% of rated load current, voltage drop, intermittent, automatic reset						
	Overvoltage protection	Yes					Yes						
	Parallel operation	No					No						
	Series operation	No					No						
Other	Ambient operating temperature *Refer to the derating curve in Engineering Data		S8JC-Z: *-10°C to 60°C S8JC-ZS: *-20°C to 70°C				S8JC-Z: *-10°C to 60°C S8JC-ZS: *-20°C to 70°C						
	Dielectric strength (detection current: 20 mA)	Between all inputs and outputs	S8JC-Z: 1.5 kVAC for 1 min. S8JC-ZS: 3 kVAC for 1 min.				S8JC-Z: 1.5 kVAC for 1 min. S8JC-ZS: 3 kVAC for 1 min.						
		Between all inputs and PE terminals	S8JC-Z: 1.5 kVAC for 1 min. S8JC-ZS: 2 kVAC for 1 min.				S8JC-Z: 1.5 kVAC for 1 min. S8JC-ZS: 2 kVAC for 1 min.						
		Between all outputs and PE terminals	S8JC-Z: 0.5 kVAC for 1 min. S8JC-ZS: 1 kVAC for 1 min.				S8JC-Z: 0.5 kVAC for 1 min. S8JC-ZS: 1 kVAC for 1 min.						
	Vibration resistance		10 to 55 Hz, 0.26-mm single amplitude for 2h each in X, Y, and Z directions				10 to 55 Hz, 0.26-mm single amplitude for 2h each in X, Y, and Z directions						
	MTBF		135,000 hrs				135,000 hrs						
	Warranty		1 year			2 years		1 year			2 years		
	Output indicator		Yes (Color: Green)				Yes (Color: Green)						
	Dimensions (W×H×D)	Bottom-mounting model	38×98×129 mm				50×98×159 mm	38×98×159 mm					
		DIN Rail-mounting model (See note 3.)	46×98×154 mm				52×98×185 mm	46×98×185 mm					
Weight (typical)	Bottom-mounting model	280 g				430 g	370 g	350 g	370 g	350 g			
	DIN Rail-mounting model	450 g				600 g	540 g	520 g	540 g	520 g			

Note: 1. Unless otherwise specified, all parameters are measured with a 230-VAC input, at the rated load, and at an ambient temperature of 25°C.

2. Ripple and noise are measured at a bandwidth of 20 MHz.

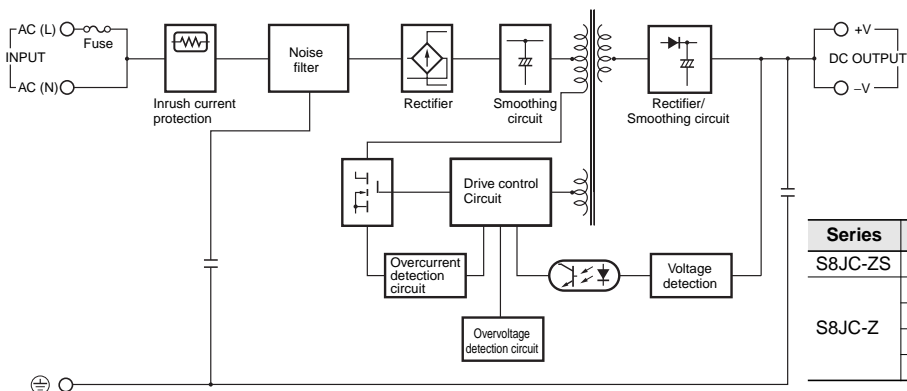
3. Refer to the dimensional diagrams for details on DIN Rail-mounting Models (excluding terminal blocks and DIN Rail products).

150-/350-W Models

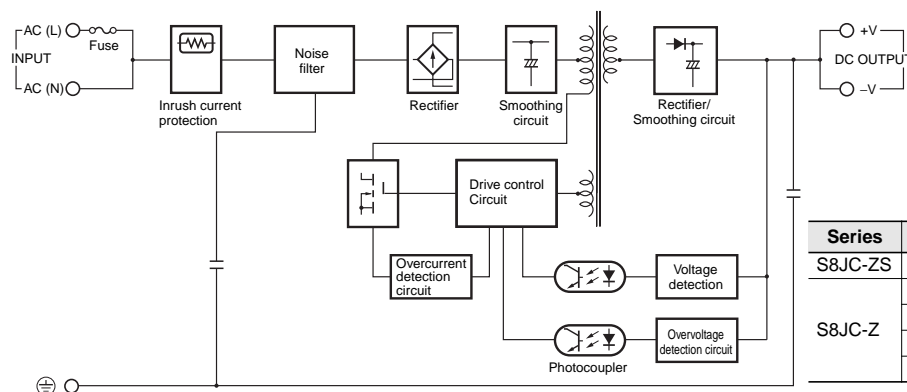
Item		Power ratings		150 W				350 W	
		Series name		S8JC-Z		S8JC-ZS		S8JC-Z	
Certification		---				CE(EN50178)		---	
Output	Output voltage (VDC)	5 V	12 V	24 V	48 V	24 V	24 V		
	Output current	30 A	12.5 A	6.5 A	3.3 A	4.5 A	14.6 A		
	Voltage adjustment range (typical)	-10% to 10%						-10% to 10%	
	Ripple (typical)	140 mV	180 mV	150 mV	300 mV	200 mV	200 mV		
	Startup time (typical)	300 ms			750 ms	300 ms	300 ms		
	Hold time (typical)	50 ms				60 ms	30 ms		
Efficiency (typical)		79%	85%	88%	86%	87%	84%		
Input	Voltage	200 to 240 VAC (185 to 264 VAC)						200 to 240 VAC (185 to 264 VAC)	
	Frequency 50/60 Hz (47 to 63 Hz)	50/60 Hz (47 to 64 Hz)						50/60 Hz (47 to 64 Hz)	
	Current (typical)	2.0 A						4.2 A	
	Leakage current	1 mA max.						1 mA max.	
	Inrush current (for a cold start at 25°C) (typical)	40 A						40 A	
Additional functions	Overload protection	105% of rated load current, voltage drop, intermittent, automatic reset						105% of rated load current, voltage drop, intermittent, automatic reset	
	Overvoltage protection	Yes						Yes	
	Parallel operation	No						No	
	Series operation	No						No	
Other	Ambient operating temperature *Refer to the derating curve in Engineering Data		S8JC-Z: *-10°C to 60°C S8JC-ZS: *-20°C to 70°C				-10°C to 60°C		
	Dielectric strength (detection current: 20 mA)	Between all inputs and outputs	S8JC-Z: 1.5 kVAC for 1 min. S8JC-ZS: 3 kVAC for 1 min.				1.5 kVAC for 1 min.		
		Between all inputs and PE terminals	S8JC-Z: 1.5 kVAC for 1 min. S8JC-ZS: 2 kVAC for 1 min.				1.5 kVAC for 1 min.		
		Between all outputs and PE terminals	S8JC-Z: 0.5 kVAC for 1 min. S8JC-ZS: 1 kVAC for 1 min.				0.5 kVAC for 1 min.		
	Vibration resistance		10 to 55 Hz, 0.26-mm single amplitude for 2h each in X, Y, and Z directions				10 to 55 Hz, 0.26-mm single amplitude for 2h each in X, Y, and Z directions		
	MTBF		135,000 hrs				135,000 hrs		
	Warranty		1 year			2 years		1 year	
	Output indicator		Yes (Color: Green)				Yes (Color: Green)		
	Dimensions (W×H×D)	Bottom-mounting model	43×98×199 mm	50×98×159 mm			50×115×195 mm		
		DIN Rail-mounting model (See note 3.)	46×98×225 mm	52×98×185 mm			52×115×221 mm		
Weight (typical)	Bottom-mounting model	580 g	530 g	450 g		750 g			
	DIN Rail-mounting model	750 g	700 g	620 g		920 g			

- Note:** 1. Unless otherwise specified, all parameters are measured with a 230-VAC input, at the rated load, and at an ambient temperature of 25°C.
 2. Ripple and noise are measured at a bandwidth of 20 MHz.
 3. Refer to the dimensional diagrams for details on DIN Rail-mounting Models (excluding terminal blocks and DIN Rail products).

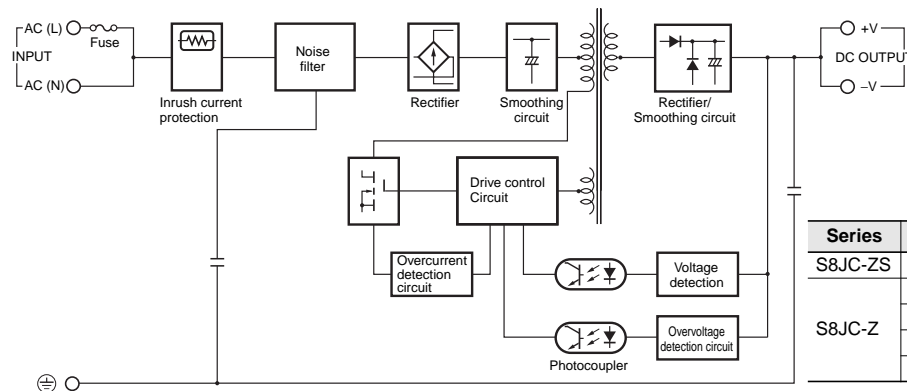
Block Diagrams



Series	Voltage	15 W	35 W	50 W	100 W	150 W	350 W
S8JC-ZS	24 V	●					
	24 V	●	●	●	●	●	
S8JC-Z	12 V	●	●	●	●	●	
	5 V	●	●	●	●		
	48 V	●	●	●			



Series	Voltage	15 W	35 W	50 W	100 W	150 W	350 W
S8JC-ZS	24 V		●	●	●	●	
	24 V						
S8JC-Z	12 V						
	5 V						
	48 V				●	●	

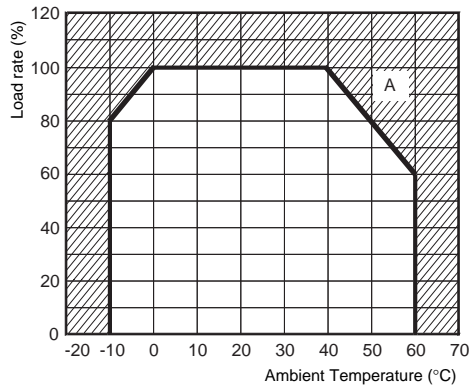


Series	Voltage	15 W	35 W	50 W	100 W	150 W	350 W
S8JC-ZS	24 V						
	24 V						●
S8JC-Z	12 V						
	5 V					●	
	48 V						

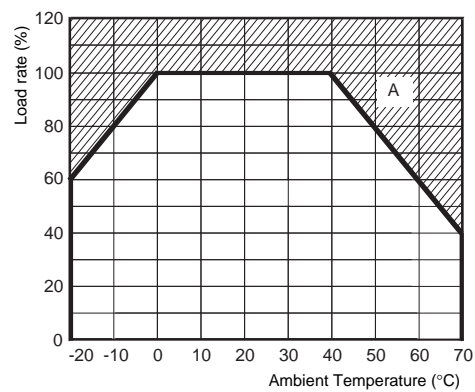
S8JC-Z

Engineering Data

Derating Curves for S8JC-Z



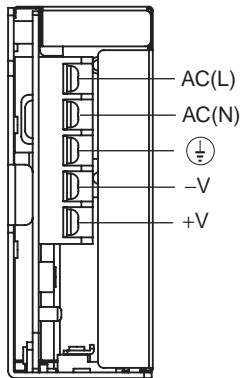
Derating Curves for S8JC-ZS



- Note:**
1. Internal parts may occasionally deteriorate or be damaged. Do not use the Power Supply in areas outside the derating curve (i.e., the area shown by shading "A" in the above graph).
 2. If there is a derating problem, use forced air-cooling.

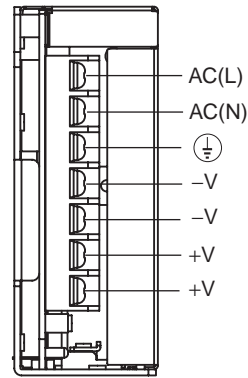
Terminal Arrangement

15-/35-/50-W Models



Note: The S8JC-Z05024C is shown above.

100-/150-/350-W Models

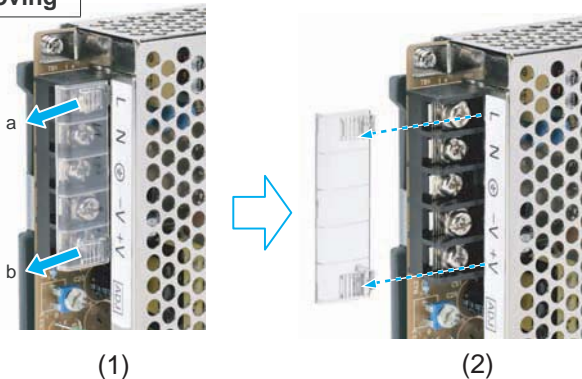


- Note:**
1. The S8JC-Z10024C is shown above.
 2. The rated current for output terminals is 25 A per terminal. Be sure to use multiple terminals simultaneously for current that exceeds the terminal rating. When applying a current of 25 A or more, use at least two terminals each for the positive and negative wires.

Terminal Cover Fitting

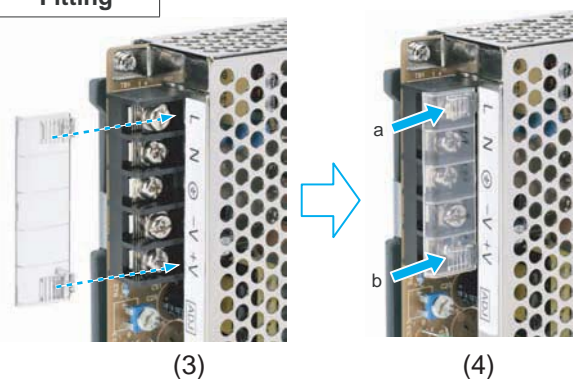
S8JC-ZS□□□□C Models

Removing



S8JC-ZS□□□□C Models

Fitting



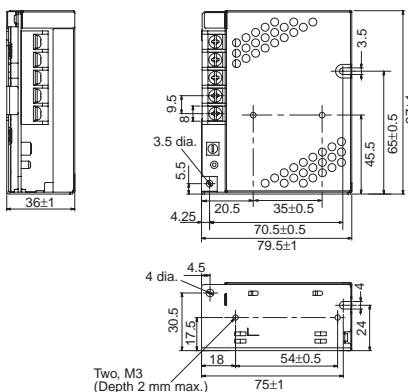
- In (1) case, please push scratched parts (a, b) on the cover following the arrow "←"
 In (2) case, please remove the cover following the arrow "←·····"
 In (3) case, please remove the cover following the arrow "·····→"
 In (4) case, please push scratched parts (a, b) on the cover following the arrow "→"

Dimensions

Bottom-mounting Models

S8JC-Z015□□C (15 W)

S8JC-ZS01524C (15 W)



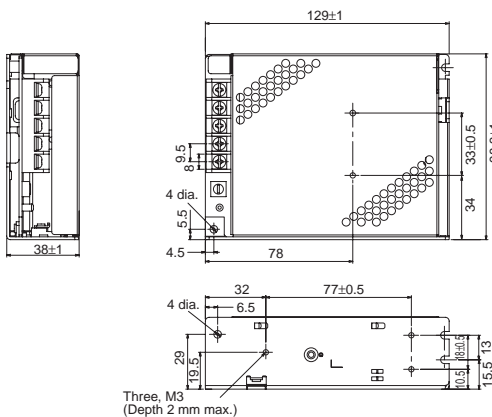
Panel mounting holes dimensions

	Surface screw mounting
Side Mounting	
Bottom Mounting	

Note: The screws must not protrude more than 2 mm inside the Power Supply when screw holes provided on the chassis are used. If the dimensions are not correct, the Power Supply may be damaged.

S8JC-Z035□□C (35 W)
S8JC-Z050□□C (50 W)

S8JC-ZS03524C (35 W)
S8JC-ZS05024C (50 W)

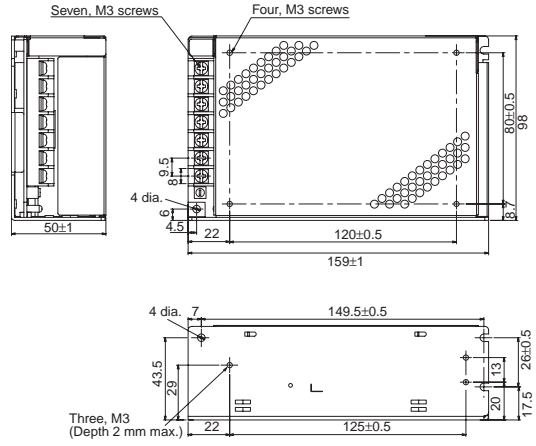


Panel mounting holes dimensions

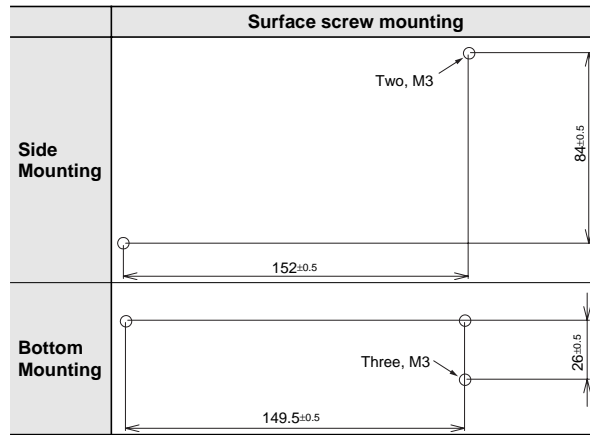
	Surface screw mounting
Side Mounting	
Bottom Mounting	

S8JC-Z

S8JC-Z10005C (100 W)

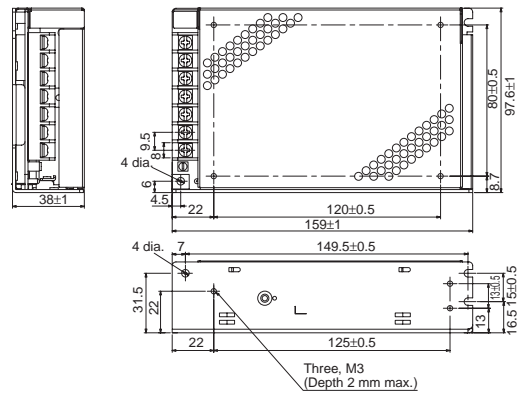


Panel mounting holes dimensions

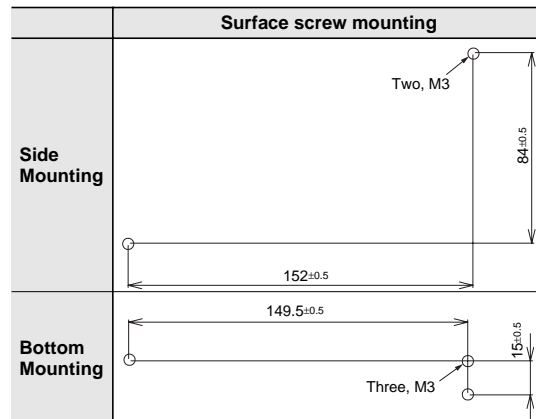


S8JC-Z10012C (100 W) S8JC-Z10024C (100 W) S8JC-Z10048C (100 W)

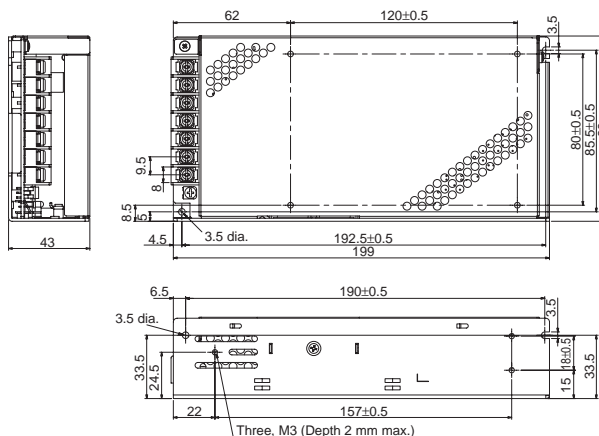
S8JC-ZS10024C (100 W)



Panel mounting holes dimensions



S8JC-Z15005C (150 W)

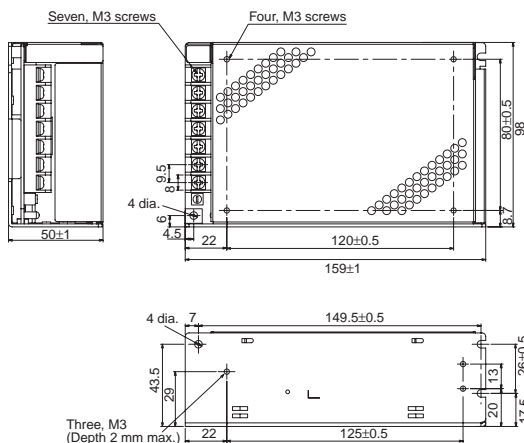


Panel mounting holes dimensions

	Surface screw mounting
Side Mounting	<p>Two, M3 192.5±0.5 85.5±0.5</p>
Bottom Mounting	<p>Two, M3 190±0.5</p>

S8JC-Z15012C (150 W)
S8JC-Z15024C (150 W)
S8JC-Z15048C (150 W)

S8JC-ZS15024C (150 W)

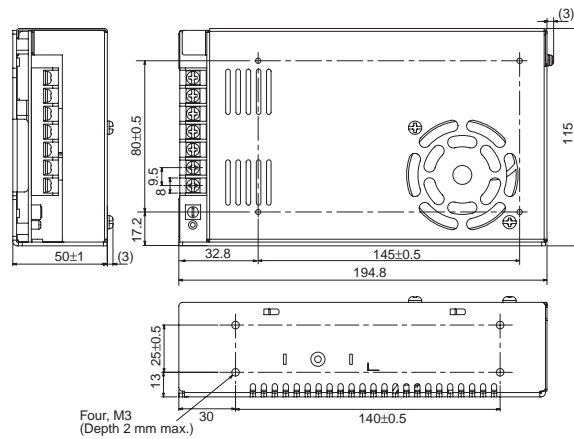


Panel mounting holes dimensions

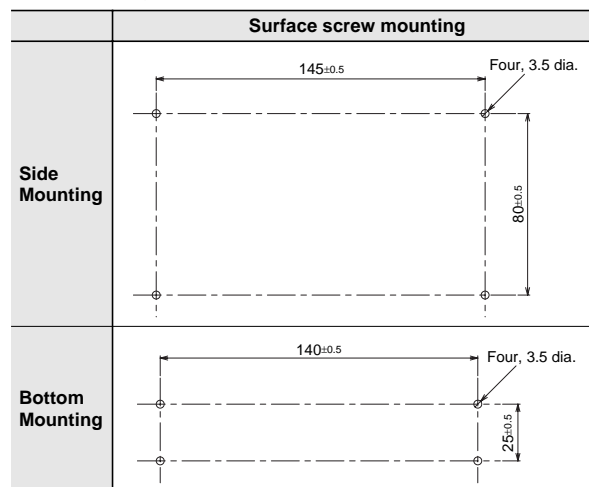
	Surface screw mounting
Side Mounting	<p>Two, M3 152±0.5 84±0.5</p>
Bottom Mounting	<p>Three, M3 149.5±0.5 26±0.5</p>

S8JC-Z

S8JC-Z35024C (350 W)



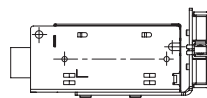
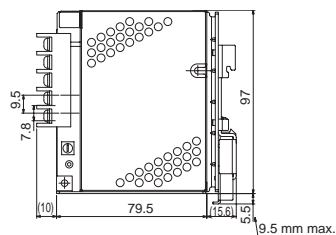
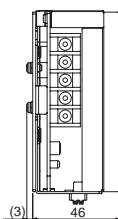
Panel mounting holes dimensions



DIN Rail-mounting Models

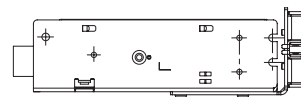
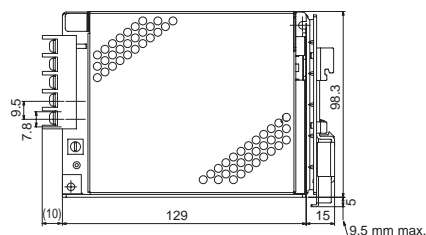
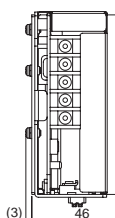
S8JC-Z015□□CD (15 W)

S8JC-ZS01524CD (15 W)

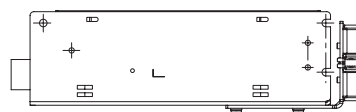
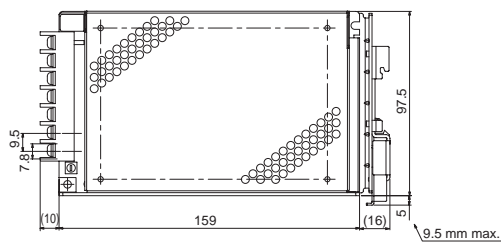
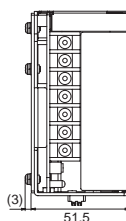


S8JC-Z035□□CD (35 W)

S8JC-Z050□□CD (50 W)
S8JC-ZS03524CD (35 W)
S8JC-ZS05024CD (50 W)

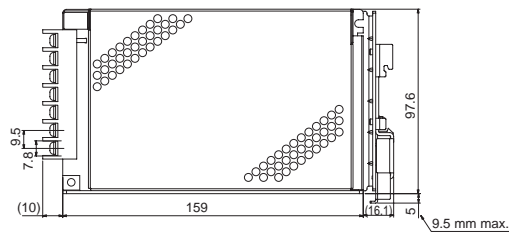
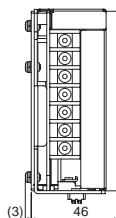


S8JC-Z10005CD (100 W)



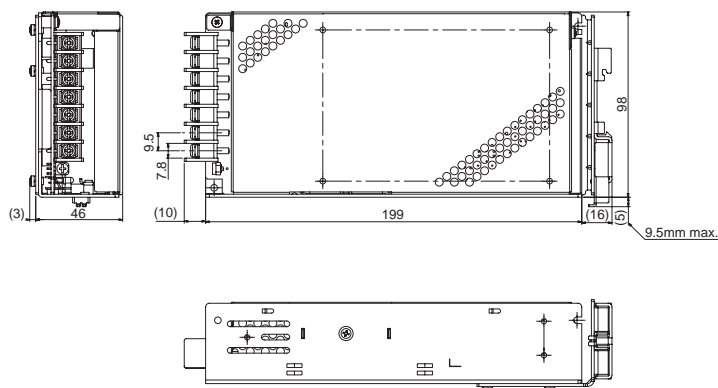
S8JC-Z10012CD (100 W)
S8JC-Z10024CD (100 W)
S8JC-Z10048CD (100 W)

S8JC-ZS10024CD (100 W)



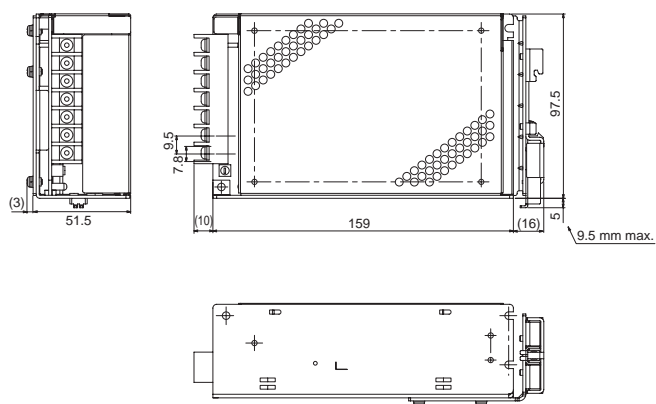
S8JC-Z

S8JC-Z15005CD (150 W)

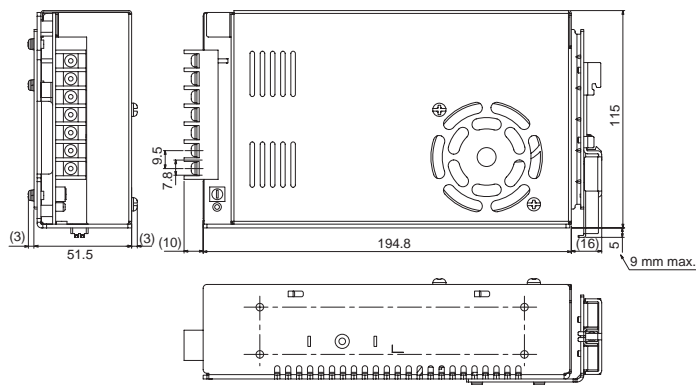


S8JC-Z15012CD (150 W)
S8JC-Z15024CD (150 W)
S8JC-Z15048CD (150 W)

S8JC-ZS15024CD (150 W)



S8JC-Z35024CD (350 W)



Safety Precautions

Refer to *Safety Precautions for All Power Supplies*.

Precautions for Safe Use

- Minor burns may occasionally occur. Do not touch the Product while power is being supplied or immediately after power is turned OFF.
- Minor injury due to electric shock may occasionally occur. Do not touch the terminals while power is being supplied.
- Take adequate measures to ensure proper heat dissipation to increase the long-term reliability of the Product.
- Connect the ground completely. Electric shock or malfunction may occur if the ground is not connected completely.
- The service life of the fan is approximately 35,000 hours (at 25°C). The service life varies, however, depending on the ambient temperature or other surrounding environmental conditions such as dust. As a guide, replace the product within two years if it is used at an ambient temperature of 40°C. (For 350-W Models only.)
- The screws must not protrude more than 2 mm inside the Power Supply when screw holes provided on the chassis are used.
- Avoid places where the product is subjected to penetration of liquid, foreign substance, or corrosive gas (in particular, sulfide gas or ammonia gas).
- The rated current for output terminals is 25 A per terminal. Be sure to use multiple terminals simultaneously for current that exceeds the terminal rating. When applying a current of 25 A or more, use at least two terminals each for the positive and negative wires.

Read and Understand this Catalog

Please read and understand this catalog before purchasing the product. Please consult your OMRON representative if you have any questions or comments.

Warranty and Limitations of Liability

WARRANTY

OMRON's exclusive warranty is that the products are free from defects in materials and workmanship for a period of one year (or other period if specified) from date of sale by OMRON.

OMRON MAKES NO WARRANTY OR REPRESENTATION, EXPRESS OR IMPLIED, REGARDING NON-INFRINGEMENT, MERCHANTABILITY, OR FITNESS FOR PARTICULAR PURPOSE OF THE PRODUCTS. ANY BUYER OR USER ACKNOWLEDGES THAT THE BUYER OR USER ALONE HAS DETERMINED THAT THE PRODUCTS WILL SUITABLY MEET THE REQUIREMENTS OF THEIR INTENDED USE. OMRON DISCLAIMS ALL OTHER WARRANTIES, EXPRESS OR IMPLIED.

LIMITATIONS OF LIABILITY

OMRON SHALL NOT BE RESPONSIBLE FOR SPECIAL, INDIRECT, OR CONSEQUENTIAL DAMAGES, LOSS OF PROFITS, OR COMMERCIAL LOSS IN ANY WAY CONNECTED WITH THE PRODUCTS, WHETHER SUCH CLAIM IS BASED ON CONTRACT, WARRANTY, NEGLIGENCE, OR STRICT LIABILITY.

In no event shall the responsibility of OMRON for any act exceed the individual price of the product on which liability is asserted.

IN NO EVENT SHALL OMRON BE RESPONSIBLE FOR WARRANTY, REPAIR, OR OTHER CLAIMS REGARDING THE PRODUCTS UNLESS OMRON'S ANALYSIS CONFIRMS THAT THE PRODUCTS WERE PROPERLY HANDLED, STORED, INSTALLED, AND MAINTAINED AND NOT SUBJECT TO CONTAMINATION, ABUSE, MISUSE, OR INAPPROPRIATE MODIFICATION OR REPAIR.

Application Considerations

SUITABILITY FOR USE

OMRON shall not be responsible for conformity with any standards, codes, or regulations that apply to the combination of products in the customer's application or use of the products.

Take all necessary steps to determine the suitability of the product for the systems, machines, and equipment with which it will be used.

Know and observe all prohibitions of use applicable to this product.

NEVER USE THE PRODUCTS FOR AN APPLICATION INVOLVING SERIOUS RISK TO LIFE OR PROPERTY WITHOUT ENSURING THAT THE SYSTEM AS A WHOLE HAS BEEN DESIGNED TO ADDRESS THE RISKS, AND THAT THE OMRON PRODUCTS ARE PROPERLY RATED AND INSTALLED FOR THE INTENDED USE WITHIN THE OVERALL EQUIPMENT OR SYSTEM.

PROGRAMMABLE PRODUCTS

OMRON shall not be responsible for the user's programming of a programmable product, or any consequence thereof.

Disclaimers

CHANGE IN SPECIFICATIONS

Product specifications and accessories may be changed at any time based on improvements and other reasons.

It is our practice to change model numbers when published ratings or features are changed, or when significant construction changes are made. However, some specifications of the products may be changed without any notice. When in doubt, special model numbers may be assigned to fix or establish key specifications for your application on your request. Please consult with your OMRON representative at any time to confirm actual specifications of purchased products.

DIMENSIONS AND WEIGHTS

Dimensions and weights are nominal and are not to be used for manufacturing purposes, even when tolerances are shown.

PERFORMANCE DATA

Performance data given in this catalog is provided as a guide for the user in determining suitability and does not constitute a warranty. It may represent the result of OMRON's test conditions, and the users must correlate it to actual application requirements. Actual performance is subject to the OMRON Warranty and Limitations of Liability.

OMRON ASIA PACIFIC PTE. LTD.

No. 438A Alexandra Road # 05-05/08 (Lobby 2),
Alexandra Technopark, Singapore 119967
Tel: (65) 6835-3011/Fax: (65) 6835-2711

OMRON (CHINA) CO., LTD.

Room 2211, Bank of China Tower,
200 Yin Cheng Zhong Road,
PuDong New Area, Shanghai, 200120, China
Tel: (86) 21-5037-2222/Fax: (86) 21-5037-2200

Authorized Distributor:

© OMRON Corporation 2009 All Rights Reserved.
In the interest of product improvement,
specifications are subject to change without notice.

Printed in Japan
0511