

EtherCAT Remote I/O Terminal

GX-series

EtherCAT® Slave Units

User's Manual

GX-ID□□□□

GX-OD□□□□

GX-OC□□□□

GX-MD□□□□

GX-AD□□□□

GX-DA□□□□

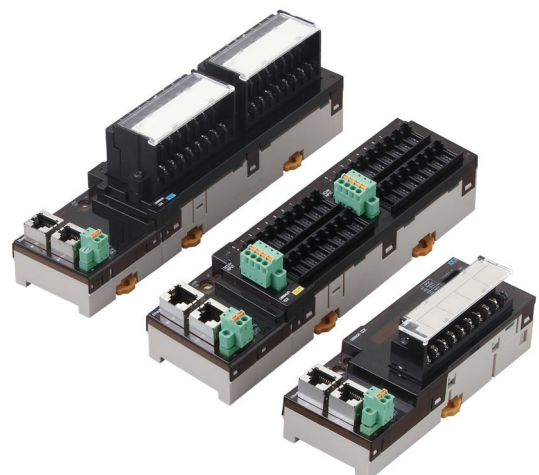
GX-EC□□□□

GX-ILM□□□

XWT-ID□□

XWT-OD□□

Digital I/O Units
Analog I/O Units
Encoder Input Units
IO-Link Master Unit



NOTE

All rights reserved. No part of this publication may be reproduced, stored in a retrieval system, or transmitted, in any form, or by any means, mechanical, electronic, photocopying, recording, or otherwise, without the prior written permission of OMRON.

No patent liability is assumed with respect to the use of the information contained herein. Moreover, because OMRON is constantly striving to improve its high-quality products, the information contained in this manual is subject to change without notice. Every precaution has been taken in the preparation of this manual. Nevertheless, OMRON assumes no responsibility for errors or omissions. Neither is any liability assumed for damages resulting from the use of the information contained in this publication.

Trademarks

- Sysmac and SYSMAC are trademarks or registered trademarks of OMRON Corporation in Japan and other countries for OMRON factory automation products.
- Microsoft, Windows, Windows Vista, Excel, and Visual Basic are either registered trademarks or trademarks of Microsoft Corporation in the United States and other countries.
- EtherCAT® is registered trademark and patented technology, licensed by Beckhoff Automation GmbH, Germany.
- Safety over EtherCAT® is registered trademark and patented technology, licensed by Beckhoff Automation GmbH, Germany.
- ODVA, CIP, CompoNet, DeviceNet, and EtherNet/IP are trademarks of ODVA.
- The SD and SDHC logos are trademarks of SD-3C, LLC.  

Other company names and product names in this document are the trademarks or registered trademarks of their respective companies.

Copyrights

Microsoft product screen shots reprinted with permission from Microsoft Corporation.

GX-series EtherCAT Slave Units

User's Manual

Revised October 2020

Introduction

Thank you for purchasing a GX-series EtherCAT Slave Unit.

This manual contains information you need to know to use the EtherCAT Slave Unit.

Before use, please make sure that you thoroughly read the manual and have a full understanding of the products functions and performance.

After you finished reading this manual, please keep it in a convenient place.

Intended Readers

This manual is intended for the following individuals.

Those having electrical knowledge (certified electricians or individuals having equivalent knowledge) and also being qualified for one of the following:

- Introducing FA equipment
- Designing FA systems
- Managing FA sites

How to Read the Manual

Page Structure


This manual's page structure consists of the following.

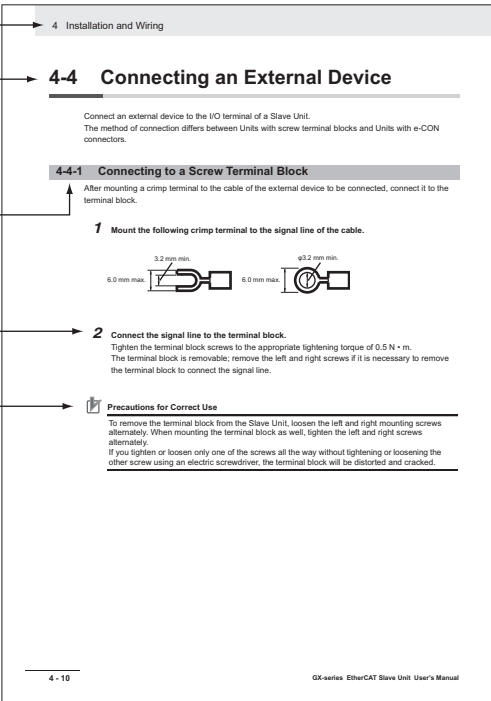
Chapter title —————→ 4 Installation and Wiring

Clause title —————→ **4-4 Connecting an External Device**
Indicates the clause title of the current page.

Section title —————→ **4-4-1 Connecting to a Screw Terminal Block**

Operation procedure number —————→ **1**
Indicates operation procedure.

Icon —————→ 
(Refer to the following section.)



4 - 10 GX-series EtherCAT Slave Unit User's Manual

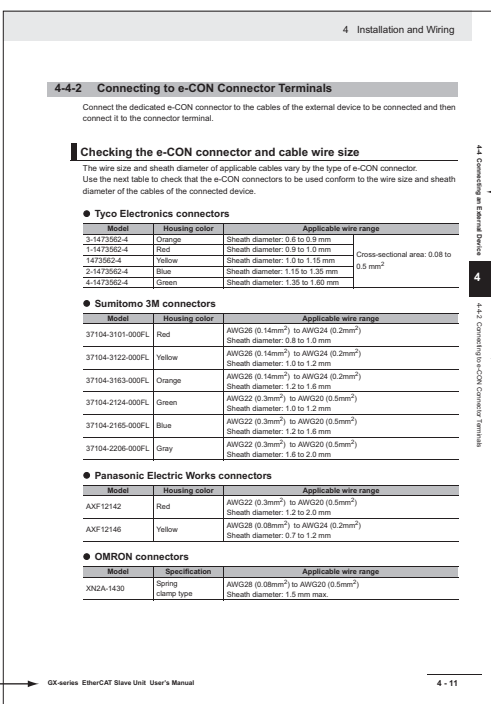
Chapter title —————→ 4 Installation and Wiring

Clause title —————→ **4-4-2 Connecting to e-CON Connector Terminals**
Indicates the chapter title of the current page.

Section title —————→ **Checking the e-CON connector and cable wire size**
Indicates the section title of the current page.

Indexes —————→ **4**
Indicates the chapter number of the current page.

Name of manuals —————→ GX-series EtherCAT Slave Unit User's Manual



Model	Housing color	Applicable wire range
3-1473552-4	Orange	Sheath diameter: 0.6 to 0.9 mm
1-1473552-4	Red	Sheath diameter: 0.9 to 1.0 mm
1-1473524	Yellow	Sheath diameter: 1.0 to 1.15 mm
2-1473552-4	Blue	Sheath diameter: 1.15 to 1.35 mm
4-1473552-4	Green	Sheath diameter: 1.35 to 1.60 mm

Model	Housing color	Applicable wire range
37104-3101-000FL	Red	AWG26 (0.14mm ²) to AWG24 (0.2mm ²) Sheath diameter: 0.8 to 1.0 mm
37104-3122-000FL	Yellow	AWG26 (0.14mm ²) to AWG24 (0.2mm ²) Sheath diameter: 1.0 to 1.2 mm
37104-3163-000FL	Orange	AWG26 (0.14mm ²) to AWG24 (0.2mm ²) Sheath diameter: 1.2 to 1.6 mm
37104-2124-000FL	Green	AWG22 (0.3mm ²) to AWG20 (0.5mm ²) Sheath diameter: 1.0 to 1.2 mm
37104-2165-000FL	Blue	AWG22 (0.3mm ²) to AWG20 (0.5mm ²) Sheath diameter: 1.2 to 1.6 mm
37104-2206-000FL	Gray	AWG22 (0.3mm ²) to AWG20 (0.5mm ²) Sheath diameter: 1.6 to 2.0 mm

Model	Housing color	Applicable wire range
AXF12142	Red	AWG22 (0.3mm ²) to AWG20 (0.5mm ²) Sheath diameter: 1.2 to 2.0 mm
AXF12146	Yellow	AWG28 (0.08mm ²) to AWG24 (0.2mm ²) Sheath diameter: 0.7 to 1.2 mm

Model	Specification	Applicable wire range
XN2A-1430	Spring clamp type	AWG28 (0.08mm ²) to AWG20 (0.5mm ²) Sheath diameter: 1.5 mm max.

4 - 11

Icon

The meanings of the icons used in this manual are as follows.



Precautions for Safe Use

Indicates precautions on what to do and what not to do to ensure using the product safely.



Precautions for Correct Use

Indicates precautions on what to do and what not to do to ensure proper operation and performance.



Reference

This explains useful tips and reference information when using the product.

Structure of This Manual

This manual consists of the following chapters.

Chapters		Contents
Chapter 1	EtherCAT Network	Explains about the EtherCAT features and the network configuration.
Chapter 2	EtherCAT Slave Unit	Overviews the GX-series EtherCAT Slave Unit and its various types.
Chapter 3	Basic Usage Procedures	Explains the setup method and usage procedures by using simple system setup examples.
Chapter 4	Installation and Wiring	Explains how to install Slave Units, and how to connect and wire the EtherCAT network and power supply.
Chapter 5	EtherCAT Communications	Explains the details of EtherCAT communications.
Chapter 6	Basic Specifications of Slave Units	Explains the common specifications for all Slave Units.
Chapter 7	Digital I/O Slave Unit	Gives an overview about the Digital I/O Slave Unit and explains names and functions of components consisting the Slave Unit. It also contains internal circuit diagrams, wiring diagrams and mounting dimensions.
Chapter 8	Analog I/O Slave Unit	Gives an overview about the Analog I/O Slave Unit and explains names and functions of components consisting the Slave Unit. It also contains internal circuit diagrams, wiring diagrams and mounting dimensions.
Chapter 9	Encoder Input Slave Unit	Gives an overview about the Encoder Input Slave Unit and explains names and functions of components consisting the Slave Unit. It also contains internal circuit diagrams, wiring diagrams and mounting dimensions.
Chapter 10	IO-Link Master Unit	Gives an overview of the IO-Link Master Unit and explains the names and functions of the components of the IO-Link Master Unit. It also contains wiring diagrams, and mounting dimensions.
Chapter 11	Expansion Unit	Gives an overview about the Expansion Unit and explains names and functions of components consisting the Expansion Unit. It also contains wiring diagrams and mounting dimensions.
Chapter 12	Troubleshooting and Maintenance	This contains troubleshooting and inspection methods intended for individuals to handle abnormalities and conduct regular inspections.
Appendix	Appendix	Contains the object overview and explains the precautions.

Terms and Conditions Agreement

Warranty, Limitations of Liability

Warranties

- **Exclusive Warranty**

Omron's exclusive warranty is that the Products will be free from defects in materials and workmanship for a period of twelve months from the date of sale by Omron (or such other period expressed in writing by Omron). Omron disclaims all other warranties, express or implied.

- **Limitations**

OMRON MAKES NO WARRANTY OR REPRESENTATION, EXPRESS OR IMPLIED, ABOUT NON-INFRINGEMENT, MERCHANTABILITY OR FITNESS FOR A PARTICULAR PURPOSE OF THE PRODUCTS. BUYER ACKNOWLEDGES THAT IT ALONE HAS DETERMINED THAT THE PRODUCTS WILL SUITABLY MEET THE REQUIREMENTS OF THEIR INTENDED USE.

Omron further disclaims all warranties and responsibility of any type for claims or expenses based on infringement by the Products or otherwise of any intellectual property right.

- **Buyer Remedy**

Omron's sole obligation hereunder shall be, at Omron's election, to (i) replace (in the form originally shipped with Buyer responsible for labor charges for removal or replacement thereof) the non-complying Product, (ii) repair the non-complying Product, or (iii) repay or credit Buyer an amount equal to the purchase price of the non-complying Product; provided that in no event shall Omron be responsible for warranty, repair, indemnity or any other claims or expenses regarding the Products unless Omron's analysis confirms that the Products were properly handled, stored, installed and maintained and not subject to contamination, abuse, misuse or inappropriate modification. Return of any Products by Buyer must be approved in writing by Omron before shipment. Omron Companies shall not be liable for the suitability or unsuitability or the results from the use of Products in combination with any electrical or electronic components, circuits, system assemblies or any other materials or substances or environments. Any advice, recommendations or information given orally or in writing, are not to be construed as an amendment or addition to the above warranty.

See <http://www.omron.com/global/> or contact your Omron representative for published information.

Limitation on Liability; Etc

OMRON COMPANIES SHALL NOT BE LIABLE FOR SPECIAL, INDIRECT, INCIDENTAL, OR CONSEQUENTIAL DAMAGES, LOSS OF PROFITS OR PRODUCTION OR COMMERCIAL LOSS IN ANY WAY CONNECTED WITH THE PRODUCTS, WHETHER SUCH CLAIM IS BASED IN CONTRACT, WARRANTY, NEGLIGENCE OR STRICT LIABILITY.

Further, in no event shall liability of Omron Companies exceed the individual price of the Product on which liability is asserted.

Application Considerations

Suitability of Use

Omron Companies shall not be responsible for conformity with any standards, codes or regulations which apply to the combination of the Product in the Buyer's application or use of the Product. At Buyer's request, Omron will provide applicable third party certification documents identifying ratings and limitations of use which apply to the Product. This information by itself is not sufficient for a complete determination of the suitability of the Product in combination with the end product, machine, system, or other application or use. Buyer shall be solely responsible for determining appropriateness of the particular Product with respect to Buyer's application, product or system. Buyer shall take application responsibility in all cases.

NEVER USE THE PRODUCT FOR AN APPLICATION INVOLVING SERIOUS RISK TO LIFE OR PROPERTY OR IN LARGE QUANTITIES WITHOUT ENSURING THAT THE SYSTEM AS A WHOLE HAS BEEN DESIGNED TO ADDRESS THE RISKS, AND THAT THE OMRON PRODUCT(S) IS PROPERLY RATED AND INSTALLED FOR THE INTENDED USE WITHIN THE OVERALL EQUIPMENT OR SYSTEM.

Programmable Products

Omron Companies shall not be responsible for the user's programming of a programmable Product, or any consequence thereof.

Disclaimers

Performance Data

Data presented in Omron Company websites, catalogs and other materials is provided as a guide for the user in determining suitability and does not constitute a warranty. It may represent the result of Omron's test conditions, and the user must correlate it to actual application requirements. Actual performance is subject to the Omron's Warranty and Limitations of Liability.

Change in Specifications

Product specifications and accessories may be changed at any time based on improvements and other reasons. It is our practice to change part numbers when published ratings or features are changed, or when significant construction changes are made. However, some specifications of the Product may be changed without any notice. When in doubt, special part numbers may be assigned to fix or establish key specifications for your application. Please consult with your Omron's representative at any time to confirm actual specifications of purchased Product.

Errors and Omissions

Information presented by Omron Companies has been checked and is believed to be accurate; however, no responsibility is assumed for clerical, typographical or proofreading errors or omissions.

Safety Precautions

Labels and Meanings to Ensure Safe Usage

To ensure safe usage of the EtherCAT Slave Unit, the precautions in this manual are displayed with the following labels and symbols.

The precautions explained in this section describe important information regarding safety. These precautions must be followed without fail.



WARNING

Indicates a potentially hazardous situation which, if not avoided, could result in death or serious injury. Additionally, there may be severe property damage.



Caution

Indicates a potentially hazardous situation which, if not avoided, may result in minor or moderate injury, or property damage.

Symbols



⊘ This symbol indicates a prohibited item (an item you must not do).

The specific instruction is indicated using text inside the ⊘. The symbol shown to the left indicates "disassembly prohibited".



△ This symbol indicates caution (warnings included).

The specific instruction is indicated using text inside the △. The symbol shown to the left indicates "typical cautions".



● This symbol means it is a compulsory item (an item that must be done).

The specific instruction is indicated using text inside the ●. The symbol shown to the left indicates "typical compulsory items".

WARNING

Do not attempt to take any Unit apart and do not touch the interior of any Unit while the power is being supplied. Also, do not turn ON the power supply while the cover is open.

Doing any of these may result in electric shock.



Do not attempt to disassemble, repair, or modify any Units.

Doing any of these may result in electric shock.



Do not input voltages or currents exceeding the rated range to the Unit.

Using voltages or currents exceeding the rated range may cause Unit failure or fire.



Provide safety measures in external circuits (i.e., not in the Units), including the following items, to ensure safety in the system if an abnormality occurs due to malfunction of the PLC or another external factor affecting the PLC operation. ("PLC" includes CPU Units, other Units mounted in the PLC, and Remote I/O Terminals.)

Not doing so may result in serious accidents.

Emergency stop circuits, interlock circuits, limit circuits, and similar safety measures must be provided in external control circuits, not in the Units.

The PLC will turn OFF all outputs when its self-diagnosis function detects any error or when a severe failure alarm (FALS) instruction is executed. As a countermeasure for such problems, external safety measures must be provided to ensure safety in the system.

The Slave Unit outputs may remain ON or OFF due to deposits on or burning of the output relays, or destruction of the output transistors. As a countermeasure for such problems, external safety measures must be provided to ensure safety in the system.

When the 24-VDC output (service power supply) is overloaded or short-circuited, the voltage may drop and result in the outputs being turned OFF. As a countermeasure for such problems, external safety measures must be provided to ensure safety in the system.

Implement proper measures as part of your communications system or in your program to ensure safety in the system even when a communications error or malfunction occurs during remote I/O communication.



The CPU Unit refreshes I/O even when the program is stopped (i.e., even in PROGRAM mode). Confirm safety thoroughly in advance before changing the status of any part of memory allocated to I/O Units, Special I/O Units, or CPU Bus Units. Any changes to the data allocated to any Unit specifically the Special I/O Units/CPU Bus Units may result in unexpected operation of the loads connected to the Unit.



- Transferring I/O memory data to the CPU Unit with a Programming Device (PC tool).
- Changing present values in memory with a Programming Device.
- Force-setting/-resetting bits with a Programming Device.
- Transferring I/O memory files from a memory card or EM file memory to the CPU Unit.
- Transferring I/O memory from a host computer or from another PLC on a network.

Fail-safe measures must be taken by the customer to ensure safety in the event of incorrect, missing, or abnormal signals caused by broken signal lines, momentary power interruptions, or other causes. Not doing so may result in serious accidents.



Precautions for Safe Use

Observe the following precautions when using the Unit.

● Power Supply

- Always use the power supply voltage specified in this manual. An incorrect voltage may result in malfunction or burning.
- Take appropriate measures to ensure that the specified power with the rated voltage and frequency is supplied. Be particularly careful in places where the power supply is unstable. An incorrect power supply may result in malfunction.
- Always turn OFF the power supply to the PLC, Slave Units and other Units before attempting any of the following. Not turning OFF the power supply may result in malfunction or electric shock.
 - Assembling any Units (Expansion Units).
 - Removing or attaching the terminal blocks or connectors to Slave Unit.
 - Replacing parts (e.g., relays).
 - Setting the DIP switch or the node address switches
 - Connecting cables or wiring the system.

● Installation

- Before touching a Unit, be sure to first touch a grounded metallic object in order to discharge any static build-up. Not doing so may result in malfunction or damage.
- Make sure that the terminal blocks, communications cables, and other items with locking devices are properly locked into place. Improper locking may result in malfunction.
- Mount the Units securely using DIN track.
- Make sure that all Slave Unit mounting screws, cable connector screws, and switch cover screws are tightened to the torque specified in this manuals. Incorrect tightening torque may result in malfunction.
- Make sure that all terminal block screws are tightened to the torque specified in this manuals. Incorrect tightening torque may result in fire, malfunction, or failure.
- Always use the specified communications cables and connectors.
- Do not exceed the ranges that are given in the specifications for the communications distance and number of connected Units.
- When there are multiple systems, keep the cables unbundled and separated by at least 5 mm to prevent unstable operation due to interference.

● Wiring

- Turn the power on after checking that the wiring and switch settings are correct.
- Use the correct wire tools to wire the Unit.
- Confirm the polarity of all terminals before wiring them.
- Do not allow foreign matter to enter the Units when wiring and installing the Units.
- Observe the following precautions when wiring the communications cable.
 - Separate the communications cables from the power lines or high-tension lines.
 - Do not bend the communications cables past their natural bending radius.
 - Do not pull on the communications cables.
 - Do not place heavy objects on top of the communications cables.
 - Always lay communications cable inside ducts.
 - Connect both ends of communications cable shielded wires to the connector hoods.
- Turn OFF the power of PLC and all the Slave Units before wiring the communication cables.

- Do not apply voltages to the Input Slave Units in excess of the rated input voltage. Excess voltage or loads may result in burning.
- Do not apply voltages or connect loads to the Outputs Slave Units in excess of the maximum switching capacity. Excess voltage or loads may result in burning.

● Handling

- When transporting the product, use special packing boxes, and protect it from being exposed to excessive vibration or impact during transportation.
- Do not bend cables past their natural bending radius or pull on cables.
- Do not place heavy objects on top of the cables.
- After replacing Units, resume operation only after transferring to the new CPU Unit and/or Special I/O Units the contents of the DM Area, HR Area, and other data required for resuming operation. Not doing so may result in unexpected operation.
- Check the user program for proper execution before actually running it on the Unit. Not checking the program may result in unexpected operation.
- When replacing relays or other parts, be sure to confirm that the ratings of the new part are correct. Not doing so may result in malfunction or burning.
- Confirm that no adverse effect will occur in the system before attempting any of the following.
 - Changing the operating mode of the CPU Unit (including changing the setting of the Operating Mode at Startup)
 - Changing the user program or settings
 - Changing set values or present values
 - Forced refreshing
- Always sufficiently check the safety at the connected devices before you change the settings of a slave or Unit.
- Do not use thinner when cleaning. Use commercially available alcohol.
- Do not use high-pressure cleaning.
- EtherCAT communications are not always established immediately after the power supply is turned ON. Use the system variables in the user program to confirm that communications are established before attempting control operations.
- If you disconnect the cable from an EtherCAT slave or turn OFF the power supply of an EtherCAT slave to disconnect it from the network, any current communications frames may be lost. If frames are lost, slave I/O data is not communicated, and the intended operation is sometimes not achieved. Perform the following processing for a slave that needs to be replaced.
 Program the Input Data Invalid system-defined variable as an interlock condition in the user program.
 Set the *PDO communications consecutive timeout detection count* setting in the EtherCAT master to at least 2.
 For details, refer to the user's manual for the built-in EtherCAT port on the connected CPU Unit or Industrial PC.
- When you use an NJ/NX-series CPU Unit with the cable redundancy in DC Mode, set the Communications Error Setting set value for EtherCAT Slave Units in DC Mode to the following value. If the communications cable is disconnected or the power supply of the EtherCAT Slave Units is turned OFF with the Communications Error Setting set value set to any other value, communications may discontinue due to a communications synchronization error.
 Project unit version 1.42 or later: 2 or higher
 Project unit version earlier than 1.42: 1 (default value) or higher

● External Circuits

- Install external breakers and take other safety measures against short-circuiting in external wiring.

Precautions for Correct Use

- Wire all connections correctly according to instructions in this manual. Failure to install them may result in serious accidents.
- Do not operate the control system in the following locations:
 - Location subject to direct sunlight.
 - Locations subject to temperatures or humidity outside the range specified in the specifications.
 - Locations subject to condensation as the result of severe changes in temperature.
 - Location subject to corrosive or flammable gases.
 - Location subject to dust (especially iron dust) or salts.
 - Location subject to exposure to water, acid, oil, chemicals, etc. (General-purpose Slaves)
 - Location subject to exposure to acid, oil, chemicals, etc. (Environment-resistive Slaves)
 - Locations subject to shock or vibration.
 - Locations close to power lines.
- Confirm voltage specifications when wiring communications, the power supply, and I/O crossovers. Incorrect wire may result in malfunction.
- Wire all connections correctly according to instructions in this manual.
- Use the correct wiring materials to wire the Unit.
- Take appropriate and sufficient countermeasures when installing systems in the following locations:
 - Locations subject to static electricity or other forms of noise.
 - Locations subject to strong electromagnetic fields.
 - Locations subject to possible exposure to radioactivity.
 - Locations close to power supplies.
- Do not drop any Unit or subject any Unit to excessive shock or vibration. Otherwise, Unit failure or malfunction may occur.
- When you attach the switch cover, make sure that the packing is not twisted. Also confirm that there is no foreign matter adhering to the case and packing.
- Do not use the Unit continuously submerged in water.
- Do not disconnect the EtherCAT communications cables during operation. The outputs will become unstable. However, for the built-in EtherCAT port on the NJ/NX-series CPU Unit, it is OK to disconnect the communications cable from an EtherCAT Slave Terminal that has been disconnected from communications in the software.

Regulations and Standards

Conformance to EU Directives

● Applicable Directives

- EMC Directives
- Low Voltage Directive

Concepts

● EMC Directives

The OMRON products described in this manual are designed so that they individually comply with the related EMC Directives so that they can be more easily built into other devices or the overall machine. The actual products have been checked for conformity to EMC Directives (See note)*.

Whether the products conform to the standards in the system used by the customer, however, cannot be checked by OMRON and must be checked by the customer. EMC-related performance of the OMRON devices that comply with EU Directives will vary depending on the configuration, wiring, and other conditions of the equipment or control panel on which the OMRON devices are installed.

The customer must, therefore, perform the final check to confirm that devices and the overall machine conform to EMC standards.

* Note: Applicable EMC (Electromagnetic Compatibility) standards are as follows:
EMS (Electromagnetic Susceptibility): EN 61131-2 and EN 61000-6-2
EMI (Electromagnetic Interference): EN 61131-2 and EN61000-6-4
(Radiated emission: 10-m regulations)

● Low Voltage Directive

Always ensure that devices operating at voltages of 50 to 1,000 VAC and 75 to 1,500 VDC meet the required safety standards.

Applicable standard: EN 61131-2

● Conformance to EU Directives

The OMRON products described in this manual comply with the related EU Directives. To ensure that the machine or device in which the products are used complies with EU Directives, the products must be installed as follows:

- The products must be installed within a control panel.
- A DC power supply with reinforced insulation or double insulation that can maintain a stable output even if the input is interrupted for 10 ms must be used for communications power, internal power, and I/O power. The OMRON S8JX-series Power Supply is recommended. (See note.)*
- Products complying with EU Directives also conform to the Emission Standards (EN 61131-2 and EN 61000-6-4). Radiated emission characteristics (10-m regulations) may vary depending on the configuration of the control panel used, other devices connected to the control panel, wiring, and other conditions. You must therefore confirm that the overall machine or equipment complies with EU Directives.
- Conformance with the EU Directives was confirmed with a system configuration using I/O wiring lengths of less than 30 m.

* Note: Conformance with the EMC Directive was confirmed when using the recommended power supply.

Conformance to UL and CSA Standards

Some GX-series products comply with UL and CSA standards. If you use an GX-series product that complies with UL or CSA standards and the machinery or system in which you use the GX-series product must also comply with the standards, refer to the *Instruction Sheet* that is provided with the product. The *Instruction Sheet* provides the application conditions for complying with the standards.

Conformance to Shipbuilding Standards

Some GX-series products comply with shipbuilding standards. If you use an GX-series product that complies with shipbuilding standards and the machinery or system in which you use the GX-series product must also comply with the standards, consult with your OMRON representative. Application conditions are defined according to the installation location. Application may not be possible for some installation locations.

Conformance to KC Certification

Some GX-series products comply with KC standards.

Observe the following precaution if you use GX-series products in Korea.

A급 기기 (업무용 방송통신기자재)
이 기기는 업무용(A급) 전자파적합기기로서 판매자
또는 사용자는 이 점을 주의하시기 바라며, 가정외의
지역에서 사용하는 것을 목적으로 합니다.

Class A Device (Broadcasting Communications Device for Office Use)

This device obtained EMC registration for office use (Class A), and it is intended to be used in places other than homes. Sellers and/or users need to take note of this.

Related Manuals

The following manuals also deal with EtherCAT. Refer to them for details.

Man No.	Name of manuals	Contents
W488	GX-series EtherCAT Slave Units User's Manual	Describes part names, functions, installation, and wiring and also provides tables of specifications and objects for the GX-series IO-Link Master Unit (W488-E1-05 or later). Also describes the hardware, setup methods, and functions of the EtherCAT Remote I/O Terminals.
W505	NJ/NX-series CPU Unit Built-in EtherCAT® Port User's Manual	Explains the built-in EtherCAT port. An overview is provided and the configuration, functions, and setup are described.
W562	NY-series IPC Machine Controller Industrial Panel PC / Industrial Box PC Built-in EtherCAT® Port User's Manual	Information on the built-in EtherCAT port is provided. This manual provides an introduction and provides information on the configuration, features, and setup.
W503	NJ/NX-series Troubleshooting Manual	Concepts on managing errors that may be detected in an NJ/NX-series Controller and information on individual errors are described.
W564	NY-series Troubleshooting Manual	Concepts on managing errors that may be detected in an NY-series Controller and information on individual errors are described.
W504	Sysmac Studio Version 1 Operation Manual	Explains the operating procedures of the Sysmac Studio.
W570	IO-Link System User's Manual	Provides an overview of IO-Link Systems and explains the system configuration, communications specifications, communications methods, I/O data, parameters, models, Support Software, and troubleshooting. Refer to the following manuals for the individual IO-Link Master Units for hardware information and specifications specific to each Master Unit and a list of the objects for each Master Unit. NX-series IO-Link Master Unit: W568 GX-series IO-Link Master Unit: W488-E1-05 or later
W567	NX-series IO-Link Master Unit User's Manual	Describes part names, functions, installation, and wiring and also provides tables of specifications and NX objects for the NX-series IO-Link Master Unit.

Version Upgrade Information

This section explains the functions that have been added or changed due to the unit version upgrade of the GX-series EtherCAT Slave Units.

For the compatible versions of Support Software for the EtherCAT Slave Units, refer to *A-7 Version Information* on page A-83.

Details of Upgrade from Unit Version 1.0 to 1.1

The following changes have been made in the upgrade from unit version 1.0 to 1.1 of the GX-series Digital I/O Slaves, Analog I/O Slaves, and Encoder Input Slaves.

Item		Unit version 1.0	Unit version 1.1
Emergency message setting when the Slave Unit's power supply is turned ON		Emergency message notification is enabled at startup.	Emergency message notification is not enabled at startup.
Sysmac device functions	Sysmac error status	Not supported.	Supported.
	Saving node address settings	Not supported.	Supported.
	Displaying the serial number	Not supported.	Supported.
	Conformance to ESI specifications (ETG.2000 S (R) V1.0.1)	Supported.	Supported.
	SII data checking	Not supported.	Supported.
Data attribute for Input Time Constant (3000 hex) for Digital I/O Slave Unit		Attribute: R	Attribute: D
Bit objects		Not supported.	Supported.
<ul style="list-style-type: none"> Digital I/O bit objects for Digital I/O Slave Units (3020 hex and 3220 hex) Soft switches (bits) and status (bits) objects for Encoder Input Slave Units (4021 hex and 4031 hex) 			

The following changes have been made in the upgrade from unit version 1.0 to 1.1 of the GX-series IO-Link Master Unit.

Item	Unit version 1.0	Unit version 1.1
The following data that can be allocated to the I/O data	Not allocated by default.	Allocated by default.
<ul style="list-style-type: none"> Digital Input Data Digital Output Data 		
Digital input collection	Not supported.	Supported.
The following objects are added to the manufacturer specific objects.	Not supported.	Supported.
<ul style="list-style-type: none"> Vendor Name of the Last Connected IO-Link Device (80n2 hex *1) Product Name of the Last Connected IO-Link Device (80n3 hex *1) Vendor Name (90n2 hex *1) Product Name (90n3 hex *1) 		

*1. n = 0 to 7 ("n" represents the port number.)

Details of Upgrade from Unit Version 1.1 to 1.2

The following changes have been made in the upgrade from unit version 1.1 to 1.2 of the GX-series Digital I/O Slave Units, Analog I/O Slave Units, and Encoder Input Slave Units.

Item	Unit version 1.1	Unit version 1.2
Support for the cable redundancy ^{*1} (Minimum value of the communications cycle: 125 μs) ^{*2}	Not supported.	Supported.
Communications objects <ul style="list-style-type: none"> • The Newest Acknowledged Message (subindex 3) of the Diagnosis History (10F3 hex) and the New Messages Available (subindex 4) • CoE time distribution object (10F9 hex) 	Not supported.	Supported.
PDO mapping objects <ul style="list-style-type: none"> • 511th transmit PDO mapping (1BFE hex) 	Not supported.	Supported.

*1. The cable redundancy can be realized by configuring a ring topology. It depends on the specifications of the EtherCAT master to be used whether a ring topology can be configured or not. Confirm the specifications of the EtherCAT master to be used.

*2. If the slave device is operated at a cycle shorter than the minimum value of the communications cycle, the EtherCAT frame may be lost or the communications may be disabled.

The following changes have been made in the upgrade from unit version 1.1 to 1.2 of the GX-series IO-Link Master Unit.

Item	Unit version 1.1	Unit version 1.2
Support for the cable redundancy ^{*1} (Minimum value of the communications cycle: 125 μs) ^{*2}	Not supported.	Supported.

*1. The cable redundancy can be realized by configuring a ring topology. It depends on the specifications of the EtherCAT master to be used whether a ring topology can be configured or not. Confirm the specifications of the EtherCAT master to be used.

*2. If the slave device is operated at a cycle shorter than the minimum value of the communications cycle, the EtherCAT frame may be lost or the communications may be disabled.

Contents

Introduction	1
Intended Readers	1
How to Read the Manual	2
Page Structure.....	2
Icon.....	3
Structure of This Manual	4
Terms and Conditions Agreement	5
Warranty, Limitations of Liability	5
Application Considerations	6
Disclaimers	6
Safety Precautions	7
Labels and Meanings to Ensure Safe Usage	7
Symbols.....	7
Precautions for Safe Use	10
Precautions for Correct Use.....	12
Regulations and Standards.....	13
Conformance to EU Directives	13
Concepts.....	13
Conformance to UL and CSA Standards	14
Conformance to Shipbuilding Standards	14
Conformance to KC Certification	14
Related Manuals	15
Version Upgrade Information	16

Section 1 EtherCAT Network

1-1 Overview of EtherCAT Networks.....	1-2
1-1-1 Features of EtherCAT	1-2
1-1-2 Structure of EtherCAT	1-2
1-1-3 Communications types of EtherCAT	1-4
1-1-4 Connection Examples of EtherCAT.....	1-5
1-2 Configuration Elements of EtherCAT Network	1-6
1-2-1 Configuration Devices of EtherCAT Network	1-6
1-2-2 Overview of Configuration Devices	1-7

Section 2 EtherCAT Slave Unit

2-1 Overview of EtherCAT Slave Unit.....	2-2
2-1-1 Slave Units Usage.....	2-2
2-1-2 Features of GX-series EtherCAT Slave Units	2-2
2-2 Types of EtherCAT Slave Units	2-3
2-2-1 Slave Units List	2-3
2-2-2 Installation, I/O Connection, and Power Supply Methods for Each Slave Unit	2-6

Section 3 Basic Usage Procedures

3-1	Setup Examples and Basic Procedure	3-2
3-1-1	System Setting Examples	3-2
3-1-2	Basic Procedure	3-3
3-2	Setting and Wiring Hardware	3-4
3-2-1	Mounting and Setting EtherCAT Master Unit	3-4
3-2-2	Mounting and Setting Slave Units	3-4
3-2-3	Wiring Communications Cables	3-4
3-2-4	Connecting Power Supplies	3-4
3-2-5	Wiring I/O Devices	3-4
3-3	Starting Communications	3-5
3-3-1	Starting a System	3-5
3-3-2	Setting EtherCAT Communications	3-5
3-3-3	Starting EtherCAT Communications	3-5
3-4	Checking Operations	3-6
3-4-1	Checking Unit Displays	3-6
3-4-2	Confirming Data Read and Write	3-6
3-4-3	Setting Slave Unit Parameter	3-6

Section 4 Installation and Wiring

4-1	Mounting Slave Units	4-2
4-1-1	Mounting Preparation	4-2
4-1-2	Mounting Direction	4-2
4-1-3	Mounting Method	4-2
4-1-4	Removal Method	4-3
4-2	Connecting to EtherCAT Network	4-4
4-2-1	Precautions for Network Connection	4-4
4-2-2	Preparation for Connecting Network	4-5
4-2-3	Connecting Communications Cables and Connectors	4-6
4-2-4	Connecting to Communications Cables	4-7
4-3	Connecting to Unit Power Supply and I/O Power Supply	4-8
4-3-1	Precautions at Supplying Unit Power and I/O Power	4-8
4-3-2	Unit Power Supply Specifications	4-9
4-3-3	Connecting the Unit Power Supply	4-9
4-3-4	Connecting the I/O Power Supply	4-11
4-4	Connecting an External Device	4-13
4-4-1	Connecting to a Screw Terminal Block	4-13
4-4-2	Connecting to e-CON Connector Terminals	4-14
4-4-3	Connecting the M12 Connector	4-17

Section 5 EtherCAT Communications

5-1	Structure of CAN application protocol over EtherCAT (CoE)	5-2
5-2	EtherCAT Slave Information File (ESI File)	5-3
5-3	Communications State Transitions	5-4
5-4	Process Data Objects (PDO)	5-5
5-4-1	Overview	5-5
5-4-2	PDO Mapping Settings	5-5
5-4-3	Sync Manager PDO Assignment Settings	5-6
5-4-4	Fixed PDO Mapping	5-7
5-5	Service Data Object (SDO)	5-10
5-5-1	Overview	5-10
5-5-2	Abort Codes	5-10

5-6	EtherCAT Master Unit - Slave Unit Communications	5-11
5-6-1	FREE RUN Mode	5-11
5-6-2	DC Mode	5-11
5-7	Emergency Messages	5-13
5-7-1	Emergency Message Notification	5-13
5-7-2	Diagnosis History	5-14
5-8	Sysmac Device Functions	5-15

Section 6 Basic Specifications of Slave Units

6-1	EtherCAT Communications Specifications	6-2
6-2	General Specifications	6-3
6-3	Specifications of Common Areas	6-4
6-3-1	Status Indicators	6-4
6-3-2	Node Address Setting Switches	6-6
6-3-3	Communications Connectors	6-8
6-3-4	Unit Power Supply Connector	6-11
6-3-5	I/O Power Supply Connector	6-13

Section 7 Digital I/O Slave Unit

7-1	Digital I/O Slave Unit	7-2
7-2	I/O Data Allocation (PDO Mapping)	7-3
7-2-1	Input Data Allocation	7-3
7-2-2	Output Data Allocation	7-5
7-3	Functions of Digital I/O Slave Units	7-7
7-3-1	Input Filter	7-7
7-3-2	Error Mode Output	7-8
7-4	Specifications for Each Slave Unit	7-9
7-4-1	2-tier Terminal Block Type 16-point Input Slave Unit GX-ID1611/ID1621	7-10
7-4-2	2-tier Terminal Block Type 16-point Output Slave Unit GX-OD1611/OD1621	7-14
7-4-3	2-tier Terminal Block Relay Type 16-point Output Slave Unit GX-OC1601	7-18
7-4-4	2-tier Terminal Block Type 8-point Input and 8-point Output Slave Unit GX-MD1611/MD1621 ...	7-22
7-4-5	3-tier Terminal Block Type 16-point Input Slave Unit GX-ID1612/ID1622	7-28
7-4-6	3-tier Terminal Block Type 16-point Output Slave Unit GX-OD1612/OD1622	7-33
7-4-7	3-tier Terminal Block Type 8-point Input and 8-point Output Slave Unit GX-MD1612/MD1622 ...	7-38
7-4-8	e-CON Connector Type 16-point Input Slave Unit GX-ID1618/ID1628	7-44
7-4-9	e-CON Connector Type 16-point Output Slave Unit GX-OD1618/OD1628	7-48
7-4-10	e-CON Connector Type 8-point Input and 8-point Output Slave Unit GX-MD1618/MD1628 ...	7-53
7-4-11	e-CON Connector Type 32-point Input Slave Unit GX-ID3218/ID3228	7-59
7-4-12	e-CON Connector Type 32-point Output Slave Unit GX-OD3218/OD3228	7-64
7-4-13	e-CON Connector Type 16-point Input and 16-point Output Slave Unit GX-MD3218/MD3228 ...	7-69
7-5	Mounting Dimensions	7-75
7-5-1	2-tier Terminal Block Type	7-75
7-5-2	3-tier Terminal Block Type	7-76
7-5-3	e-CON Connector Type	7-77

Section 8 Analog I/O Slave Unit

8-1	Analog I/O Slave Unit	8-2
8-2	Overview of the Analog Input Slave Unit	8-3
8-2-1	Input Range and Converted Data	8-3
8-2-2	I/O Data Allocation (PDO Mapping)	8-6
8-3	Function of the Analog Input Slave Unit	8-7

8-3-1	AD Conversion Available Point Setting	8-7
8-3-2	Moving Average	8-8
8-3-3	Disconnected Line Detection	8-10
8-3-4	User adjustment.....	8-10
8-4	Overview of the Analog Output Slave Unit.....	8-12
8-4-1	Output Range and Converted Data	8-12
8-4-2	I/O Data Allocation (PDO Mapping)	8-14
8-5	Function of the Analog Output Slave Unit	8-15
8-5-1	DA Conversion Available Point Setting	8-15
8-5-2	Analog Output Fault Action	8-16
8-5-3	User Adjustment	8-17
8-6	Overview of Each Slave Unit Type	8-18
8-6-1	4-point Input Slave Unit GX-AD0471	8-19
8-6-2	2-point Output Slave Unit GX-DA0271	8-23
8-7	Mounting Dimensions	8-27

Section 9 Encoder Input Slave Unit

9-1	Encoder Input Slave Unit.....	9-2
9-2	I/O Data Allocation.....	9-3
9-2-1	Input Data Allocation.....	9-3
9-2-2	Output Data Allocation	9-6
9-3	Function of the Encoder Input Slave Units	9-8
9-3-1	Count Mode	9-8
9-3-2	Circular Counter.....	9-8
9-3-3	Input Signal Types	9-9
9-3-4	Encoder Direction Setting	9-11
9-3-5	Counter Reset.....	9-12
9-3-6	Counter Preset.....	9-13
9-3-7	Counter value latch.....	9-13
9-4	Specifications for Each Slave Unit	9-14
9-4-1	Open collector input type GX-EC0211	9-15
9-4-2	Line Driver Input Type GX-EC0241	9-23
9-5	Mounting Dimensions	9-30

Section 10 IO-Link Master Unit

10-1	What Is an IO-Link Master Unit?	10-2
10-1-1	Introduction	10-2
10-1-2	Connection Configuration for EtherCAT Communications Master Unit and IO-Link Devices ...	10-2
10-1-3	Support Software to Be Used	10-3
10-2	I/O Data Allocations: PDO Mapping	10-4
10-2-1	Allocating Input Data.....	10-4
10-2-2	Allocating Output Data.....	10-6
10-3	Functions of the IO-Link Master Unit.....	10-7
10-4	Specifications	10-9
10-4-1	Specifications.....	10-9
10-4-2	Part Names and Functions	10-13
10-5	Mounting Dimensions	10-17
10-6	Communications Performance	10-18
10-6-1	Maximum I/O Response Time	10-18
10-6-2	Determining the IO-Link Communications Cycle	10-20
10-7	Connected Device Specifications and Models	10-21

Section 11 Expansion Unit

11-1 Overview of the Expansion Unit.....	11-2
11-1-1 Connecting Expansion Units	11-2
11-1-2 I/O Power Supply	11-3
11-2 Specifications of Expansion Unit.....	11-4
11-2-1 8-point Input Expansion Unit XWT-ID08/ID08-1.....	11-5
11-2-2 8-point Output Expansion Unit XWT-OD08/OD08-1	11-8
11-2-3 16-point Input Expansion Unit XWT-ID16/ID16-1.....	11-11
11-2-4 16-point Output Expansion Unit XWT-OD16/OD16-1	11-15
11-3 Mounting Dimensions	11-19

Section 12 Troubleshooting and Maintenance

12-1 Troubleshooting	12-2
12-1-1 Errors that Can be Checked with Status Indicator and Actions to Take	12-2
12-1-2 Errors Unique to Each Slave Unit	12-7
12-1-3 Error Notification Methods and Types	12-13
12-1-4 Sysmac Error Status Codes	12-14
12-1-5 Emergency Error Code	12-19
12-1-6 Application Layer Status Codes	12-21
12-2 Equipment Maintenance	12-23
12-2-1 Cleaning	12-23
12-2-2 Inspections	12-23
12-2-3 Handling when Replacing Units	12-24
12-2-4 Replacing the IO-Link Master Unit or IO-Link Devices.....	12-24

Section A Appendix

A-1 Object Dictionary	A-2
A-1-1 Object Dictionary Area	A-2
A-1-2 Data Types	A-2
A-1-3 Object Description Format	A-3
A-1-4 Communication Objects	A-4
A-1-5 PDO Mapping Object	A-10
A-1-6 Sync Manager Communication Object.....	A-26
A-1-7 Manufacturer Specific Objects	A-32
A-2 Current Consumption Summary	A-74
A-2-1 Digital I/O Slave Unit.....	A-74
A-2-2 Analog I/O Slave Unit.....	A-74
A-2-3 Encoder Input Slave Unit	A-74
A-2-4 IO-Link Master Unit	A-75
A-2-5 Expansion Unit.....	A-75
A-3 Precautions with Connecting Two-wire DC Sensors	A-76
A-3-1 Relation between ON Voltage of a Unit with DC Inputs and Sensor Residual Voltage.....	A-76
A-3-2 Relation between ON Current of a Unit with DC Inputs and Sensor Control Output	A-76
A-3-3 Relation between OFF Current of a Unit with DC Inputs and Sensor Leakage Current	A-77
A-4 Wiring External Output Signal Lines	A-78
A-5 I/O Power Supply Current	A-79
A-6 Glossary	A-81
A-7 Version Information.....	A-83

INDEX 1

1

EtherCAT Network

This chapter explains the overview of EtherCAT network.

1-1	Overview of EtherCAT Networks	1-2
1-1-1	Features of EtherCAT	1-2
1-1-2	Structure of EtherCAT	1-2
1-1-3	Communications types of EtherCAT	1-4
1-1-4	Connection Examples of EtherCAT	1-5
1-2	Configuration Elements of EtherCAT Network	1-6
1-2-1	Configuration Devices of EtherCAT Network	1-6
1-2-2	Overview of Configuration Devices	1-7

1-1 Overview of EtherCAT Networks

EtherCAT (Ethernet Control Automation Technology) is a high-performance industrial network system based on Ethernet system and can realize faster and more efficient communications. Each node achieves a short communications cycle time by transmitting Ethernet frames at high speed. Furthermore, even though EtherCAT is a unique protocol, it offers excellent general-purpose applicability. For example, you can use Ethernet cables because EtherCAT utilizes standard Ethernet technology for the physical layer. And the effectiveness of EtherCAT can be fully utilized not only in large control systems that require high processing speeds and system integrity, but also in small and medium control systems.

1-1-1 Features of EtherCAT

EtherCAT has the following features.

- **Extremely high-speed communications with speed of 100 Mbps**

It dramatically shortens the I/O response time from generation of input signals to transmission of output signals. By fully utilizing the optimized Ethernet frame bandwidth to transfer data using a high-speed repeat method, it is possible to efficiently transmit a wide variety of data.

- **Extremely High Compatibility with Ethernet**

EtherCAT is an open network with extremely high compatibility with conventional Ethernet systems.

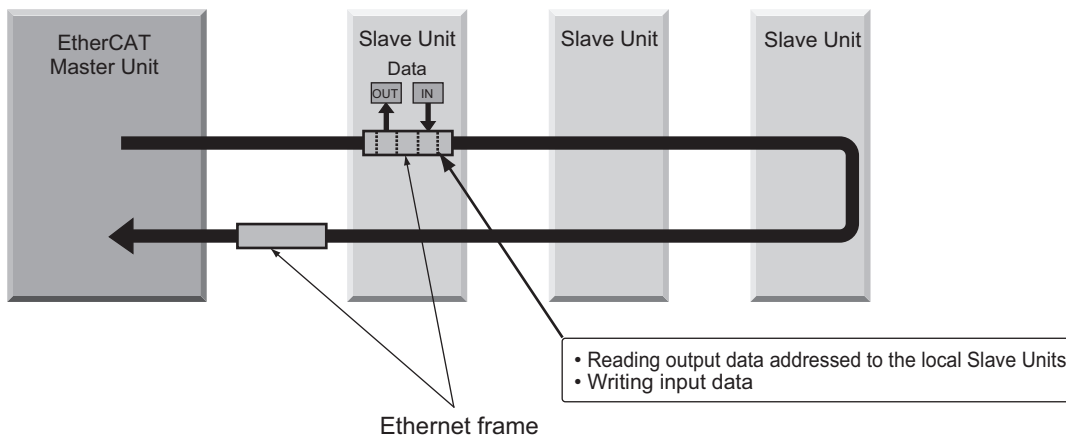
1-1-2 Structure of EtherCAT

EtherCAT does not send data to individual slave nodes on the network, instead, it passes Ethernet frames through all of the slave nodes.

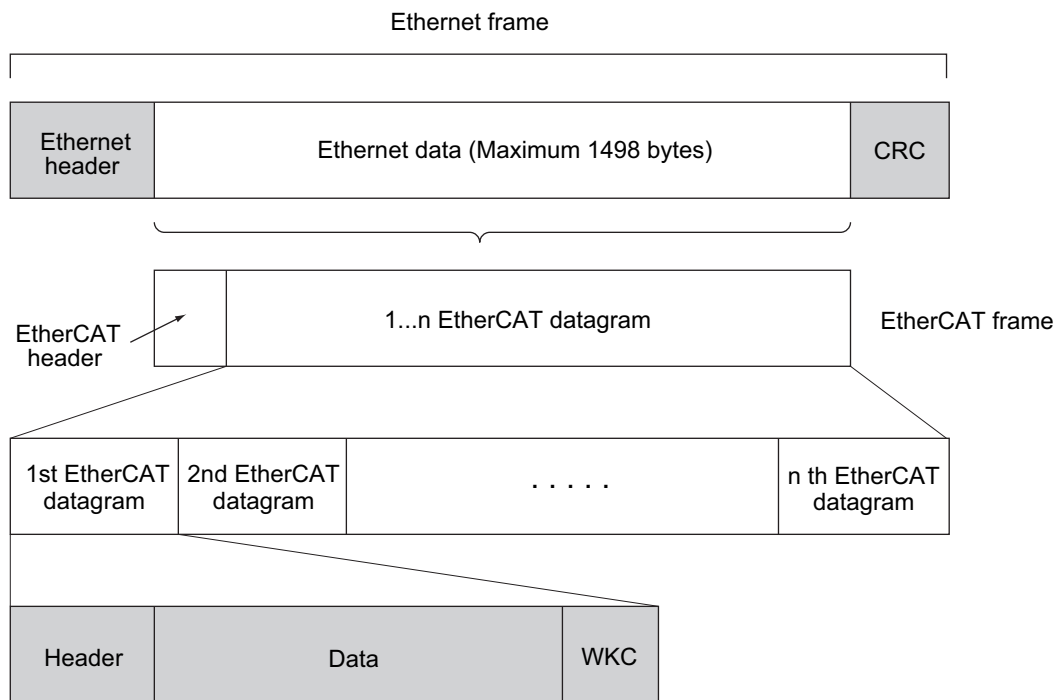
When frame passes through a slave node, the slave node reads and writes data in the areas allocated to it in the frames in a few nanoseconds.

Ethernet frames sent from the EtherCAT Master Unit go through all the EtherCAT Slave Units without stopping on the way. Once they reach the final Slave Unit, they are sent back from the final Slave Unit, pass through all Slave Units again, and return to the EtherCAT Master Unit.

With this structure, EtherCAT secures high-speed and real-time data transmission.



It is the "EtherCAT datagram" stored directly in an Ethernet frame that exchanges data regularly between the EtherCAT Master Unit and Slave Units.
 Each "EtherCAT datagram" is configured with header (data length, including address of one or more Slave Units, etc.), data, working counter (check bit).
 When an Ethernet frame is compared to a "train", an EtherCAT datagram can be considered as "railway car."



WKC : Working counter

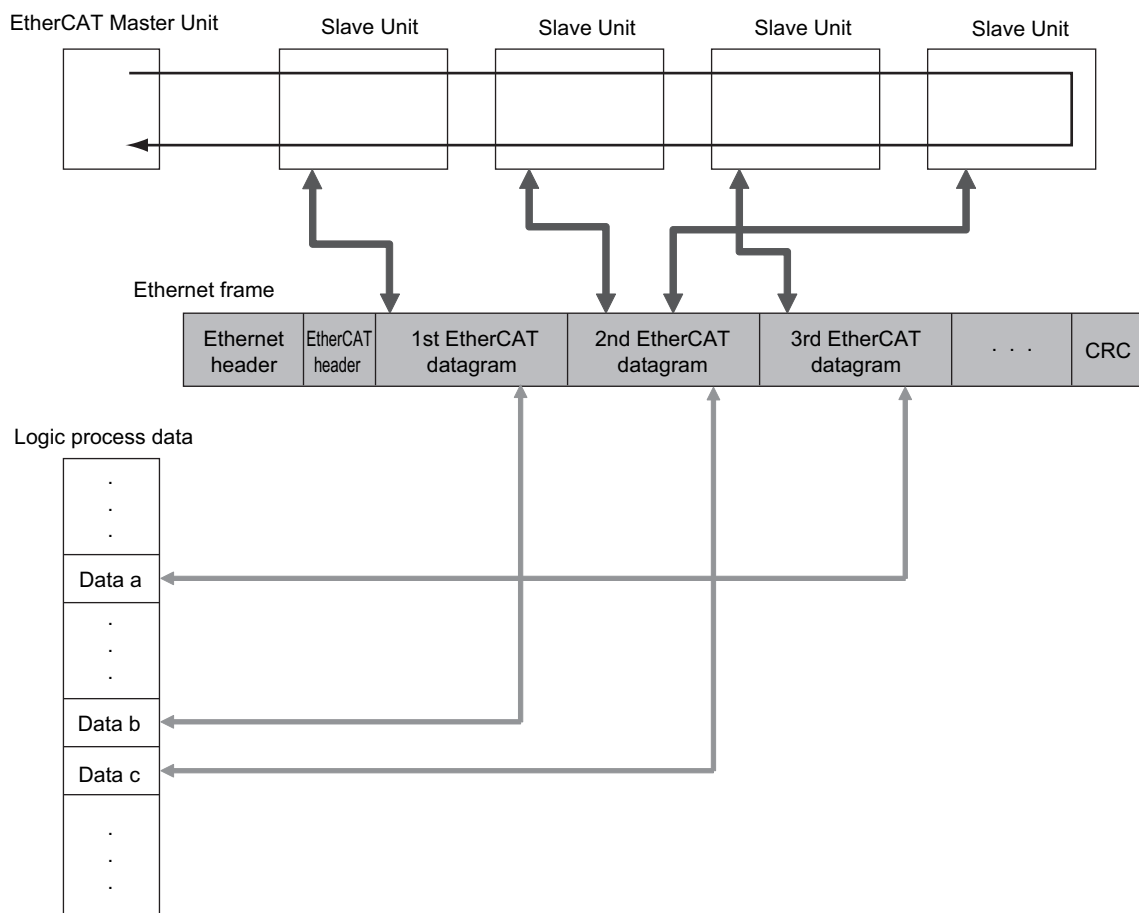
1-1-3 Communications types of EtherCAT

EtherCAT provides the following two types of communication functions.

PDO communications are always updating data per communication cycle on EtherCAT, while SDO communications are processed in between those updates.

Process data communications functions (PDO communications)

This communication function is used to transfer process data in real time in a fixed-cycle. By mapping logical process data space to each node by the EtherCAT Master Unit, it achieves fixed-cycle communications among the EtherCAT Master Unit and Slave Units.



Mailbox communications functions (SDO communications)

It refers to message communications.

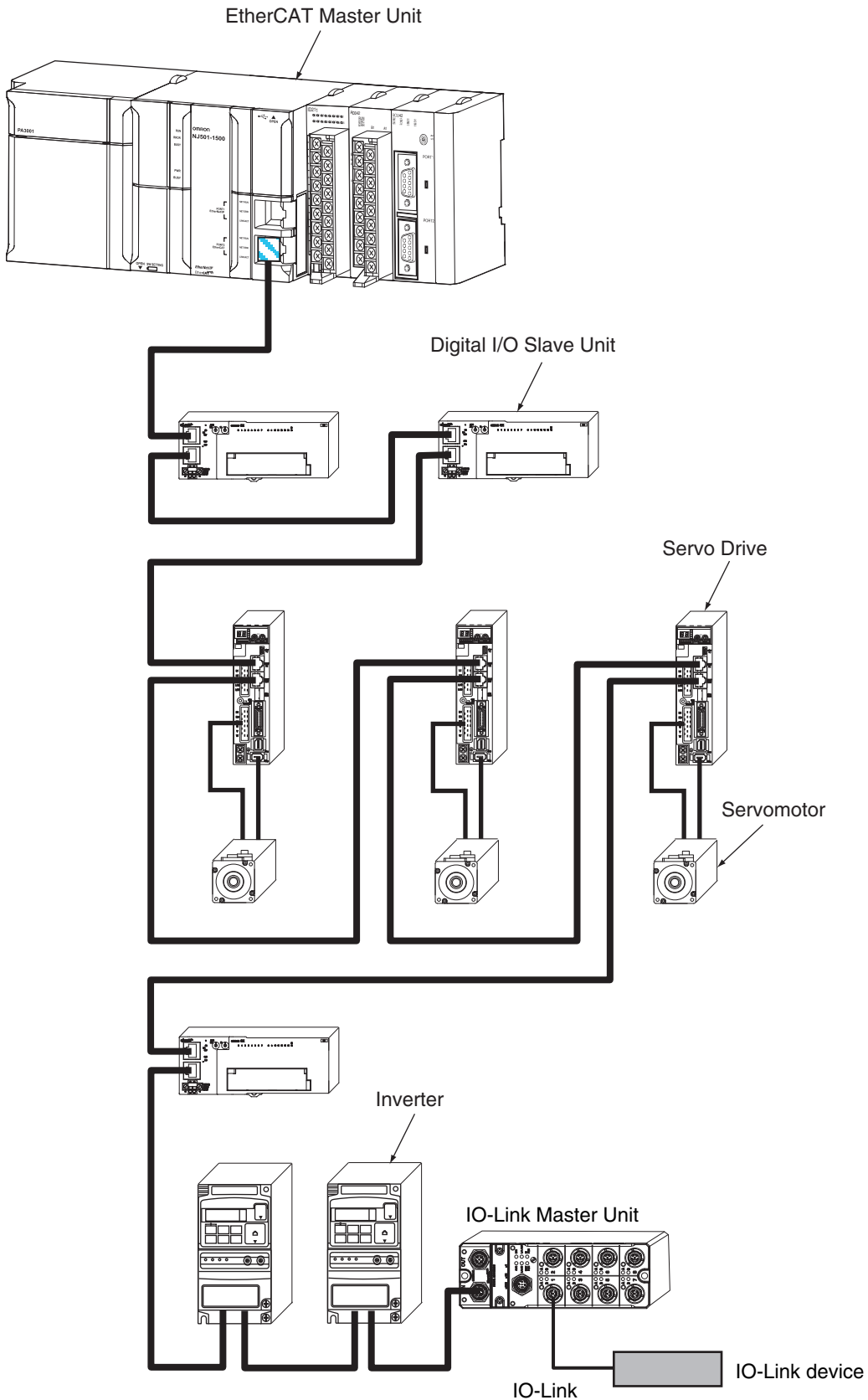
At any timing, the EtherCAT Master Unit transmits commands to Slave Units and the Slave Units return responses to the EtherCAT Master Unit.

It performs the following data communications:

- Read and write process data
- Make Slave Unit setting
- Monitor Slave Unit state

1-1-4 Connection Examples of EtherCAT

This section explains the connection examples of EtherCAT network.

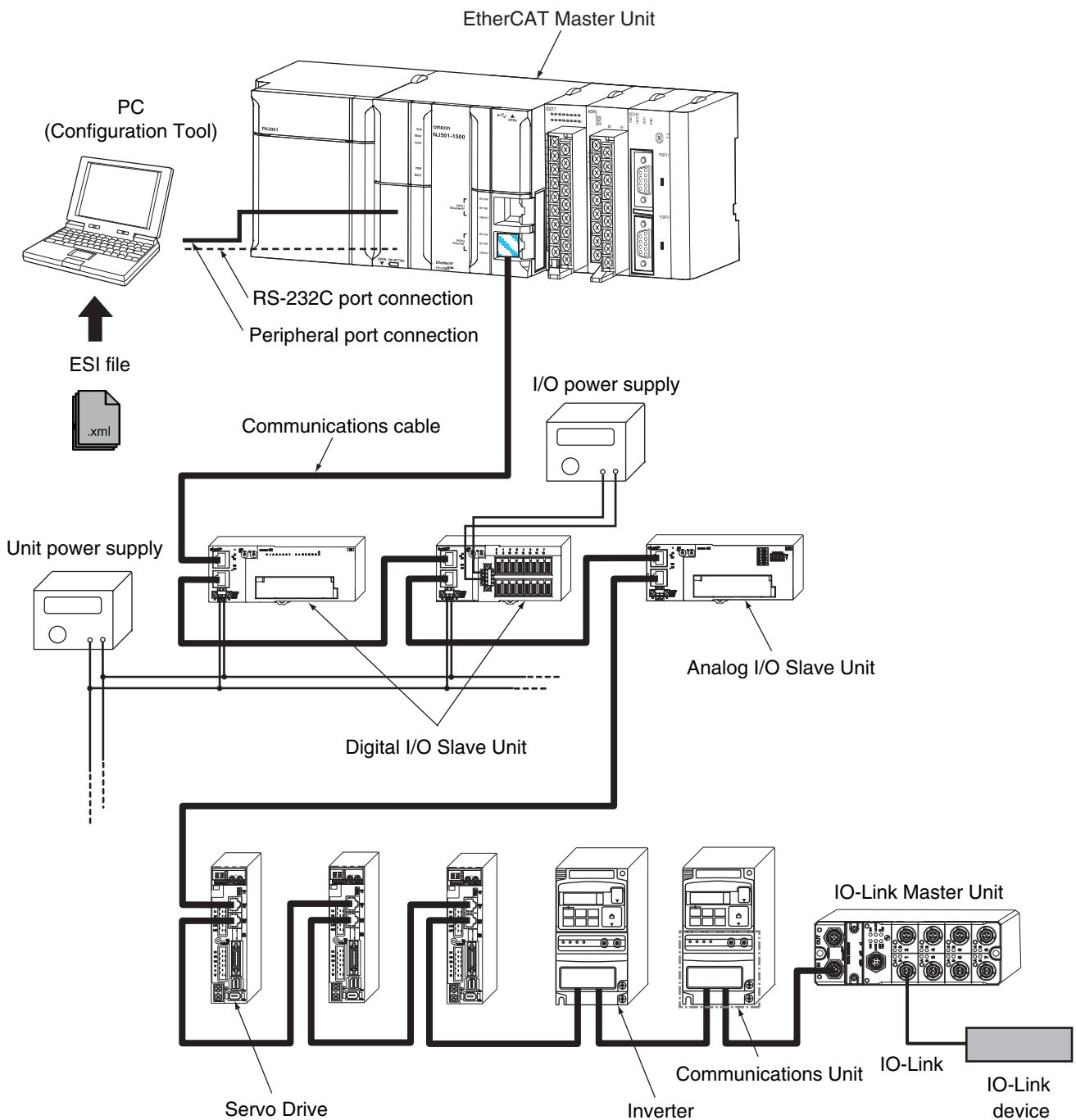


1-2 Configuration Elements of EtherCAT Network

This section explains the configuration devices and usages of EtherCAT network.

1-2-1 Configuration Devices of EtherCAT Network

The devices composing an EtherCAT network are shown in the figure below.



1-2-2 Overview of Configuration Devices

The overview of each configuration device is as follows:

EtherCAT Master Unit

Administers the EtherCAT network, monitors the state of Slave Units, exchanges I/O data with Slave Units.

EtherCAT Slave Unit

Outputs data received from the EtherCAT Master Unit through the EtherCAT network, or sends input data to the EtherCAT Slave Unit through the EtherCAT network.
There are Digital I/O Slave Units, Analog I/O Slave Units, and an IO-Link Master Unit.

Communications Unit

By mounting to an inverter and other devices, it is possible to serve as a Slave Unit in the EtherCAT network.

Configuration Tool

It is a PC software for making setting of the EtherCAT network and each Slave Unit.
It can be used either by connecting to the EtherCAT Master Unit or as a substitute of the EtherCAT Master Unit.
When using an OMRON EtherCAT master, the Sysmac Studio is used to configure the settings of the EtherCAT network and each Slave Unit. For details on the versions of the Sysmac Studio that support the GX-series EtherCAT Slave Units, refer to *A-7 Version Information* on page A-83.

Communications cable

Uses cables of Ethernet category 5 (100BASE-TX) or higher, with double-shield (aluminum tape and braided shielding), which are connected straight.

ESI (EtherCAT Slave Information) file

Describes information specific to EtherCAT Slave Units in XML format.
By reading this file into the Configuration Tool, it is possible to perform various settings such as mapping of Slave Units to I/O memory easily.

Unit power supply

Provides power for communications of each Slave Unit and internal operations.
Separate them from the I/O power supply when wiring.

I/O power supply

Provides power for input/output operations of external devices connected to Slave Units.

Separate from Unit power supply when wiring.

2

EtherCAT Slave Unit

This chapter explains the overview of EtherCAT Slave Unit.

2-1 Overview of EtherCAT Slave Unit	2-2
2-1-1 Slave Units Usage	2-2
2-1-2 Features of GX-series EtherCAT Slave Units	2-2
2-2 Types of EtherCAT Slave Units	2-3
2-2-1 Slave Units List	2-3
2-2-2 Installation, I/O Connection, and Power Supply Methods for Each Slave Unit .	2-6

2-1 Overview of EtherCAT Slave Unit

This section explains the overview of EtherCAT Slave Unit.

2-1-1 Slave Units Usage

Slave Units supported by this manual are largely classified into the following types by their intended purposes.

- **Digital I/O Slave Unit**

Inputs and outputs digital ON/OFF signals.

- **Analog I/O Slave Unit**

Performs AD or DA conversion for analog signals of 0 to 5 V, 4 to 20 mA, and so on and inputs or outputs them.

- **Encoder Input Slave Unit**

Performs conversion for pulse input signals from an encoder.

- **IO-Link Master Unit**

An IO-Link Master Unit connects to IO-Link devices and general-purpose (i.e., non-IO-Link) devices and it performs IO-Link communications, and input and output of digital ON/OFF signals.

- **Expansion Unit**

Mounted on a Digital I/O Slave Unit in order to expand the number of I/O points.

Note, however, Expansion Units can only be mounted on Digital I/O Slave Units with 2-tier terminal block and 16 points.

2-1-2 Features of GX-series EtherCAT Slave Units

The GX-series EtherCAT Slave Units have the following features.

Optimum Functionality and Ease of Operation Based on Unified Specifications

You can use GX-series EtherCAT Slave Units together with NJ/NX-series Machine Automation Controllers and the Sysmac Studio Automation Software to achieve optimum functionality and ease of operation. A GX-series EtherCAT Slave Unit is classified as a Sysmac device.*

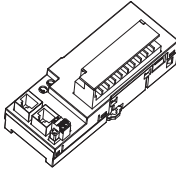
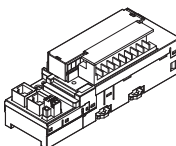
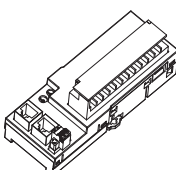
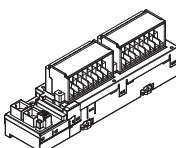
* "Sysmac devices" is a generic name for EtherCAT Slave Units and other OMRON control components that were designed with the same communications and user interface specifications.

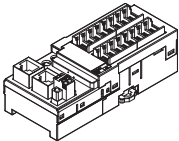
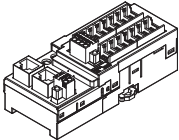
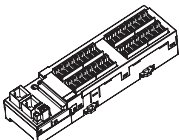
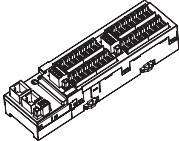
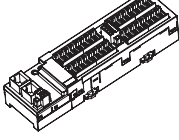
2-2 Types of EtherCAT Slave Units

This section explains the types of EtherCAT Slave Units and mounting, connection and power supply methods.

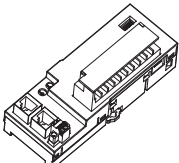
2-2-1 Slave Units List

Digital I/O Slave Unit

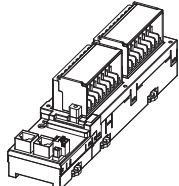
Type	Appearance	I/O points	Model	Features
Models with 2-tier terminal block		16 inputs (NPN)	GX-ID1611	<ul style="list-style-type: none"> Equipped with a removable screw terminal block Possible to mount an Expansion Unit
		16 inputs (PNP)	GX-ID1621	
		16 outputs (NPN)	GX-OD1611	
		16 outputs (PNP)	GX-OD1621	
		Relay 16 outputs	GX-OC1601	
			8 inputs and 8 outputs (NPN)	
8 inputs and 8 outputs (PNP)	GX-MD1621			
Models with 3-tier terminal block		16 inputs (NPN)	GX-ID1612	
		16 inputs (PNP)	GX-ID1622	
		16 outputs (NPN)	GX-OD1612	
		16 outputs (PNP)	GX-OD1622	
		8 inputs and 8 outputs (NPN)	GX-MD1612	
		8 inputs and 8 outputs (PNP)	GX-MD1622	

Type	Appearance	I/O points	Model	Features
e-CON Connectors		16 inputs (NPN)	GX-ID1618	<ul style="list-style-type: none"> Equipped with an e-CON connector Expansion Unit cannot be mounted
		16 inputs (PNP)	GX-ID1628	
		16 outputs (NPN)	GX-OD1618	
		16 outputs (PNP)	GX-OD1628	
		8 inputs and 8 outputs (NPN)	GX-MD1618	
		8 inputs and 8 outputs (PNP)	GX-MD1628	
		32 inputs (NPN)	GX-ID3218	
		32 inputs (PNP)	GX-ID3228	
		32 outputs (NPN)	GX-OD3218	
		32 outputs (PNP)	GX-OD3228	
		16 inputs and 16 outputs (NPN)	GX-MD3218	
		16 inputs and 16 outputs (PNP)	GX-MD3228	

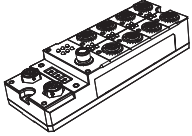
Analog I/O Slave Unit

Type	Appearance	I/O points	Model	Features
Models with screw terminal blocks		4 inputs	GX-AD0471	<ul style="list-style-type: none"> Equipped with a removable screw terminal block Possible to switch input and output range (voltage and current)
		2 outputs	GX-DA0271	

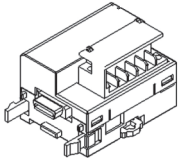
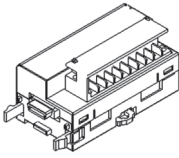
Encoder Input Slave Unit

Type	Appearance	I/O points	Model	Features
Models with screw terminal blocks		2 inputs (5 V and 24 V voltage input)	GX-EC0211	<ul style="list-style-type: none"> Equipped with a removable screw terminal block With 2 latch inputs/1 reset input
		2 inputs (Line driver input)	GX-EC0241	

IO-Link Master Unit

Type	Appearance	Number of ports	Model	Features
GX-type IO-Link Master Unit		8	GX-ILM08C	High environmental resistance (IP67)

Expansion Unit

Type	Appearance	I/O points	Model	Features
Models with 2-tier terminal block		8 inputs (NPN)	XWT-ID08	<ul style="list-style-type: none"> Can be connected to the following Digital I/O Slave Unit GX-ID1611/ID1621/O D1611/OD1621/OC16 01 Can connect only 1 Expansion Unit per Slave Unit
		8 inputs (PNP)	XWT-ID08-1	
		8 outputs (NPN)	XWT-OD08	
		8 outputs (PNP)	XWT-OD08-1	
		16 inputs (NPN)	XWT-ID16	
		16 inputs (PNP)	XWT-ID16-1	
		16 outputs (NPN)	XWT-OD16	
		16 outputs (PNP)	XWT-OD16-1	

2-2-2 Installation, I/O Connection, and Power Supply Methods for Each Slave Unit

Digital I/O Slave Unit

Type	Model	Slave Unit installation method	I/O connection method	Internal power supply	External power supply
Models with 2-tier terminal block	GX-ID1611 GX-ID1621 GX-OD1611 GX-OD1621 GX-OC1601 GX-MD1611 GX-MD1621		M3 screw terminal block		I/O power supply must be supplied externally for connected devices.
	Models with 3-tier terminal block				
e-CON connectors	GX-ID1618 GX-ID1628	DIN track	e-CON Connectors	Shared with unit power supply	Shared with unit power supply*
	GX-OD1618 GX-OD1628				I/O power supply must be supplied externally for connected devices.
	GX-MD1618 GX-MD1628				Only inputs are shared with unit power supply.*
	GX-ID3218 GX-ID3228				Shared with unit power supply*
	GX-OD3218 GX-OD3228				I/O power supply must be supplied externally for connected devices.
	GX-MD3218 GX-MD3228				Only inputs are shared with unit power supply.*

* Power for external I/O (sensors and actuators) is also supplied from the unit power supply.

For this reason, make sure to add current consumption of external I/O when examining output current of the unit power supply.

Analog I/O Slave Unit

Type	Model	Slave Unit installation method	I/O connection method	Internal power supply	External power supply
Models with screw terminal blocks	GX-AD0471	DIN track	M3 screw terminal block	Shared with unit power supply	Not necessary
	GX-DA0271				

Encoder Input Slave Unit

Type	Model	Slave Unit installation method	I/O connection method	Internal power supply	External power supply
Models with screw terminal blocks	GX-EC0211	DIN track	M3 screw terminal block	Shared with unit power supply	I/O power supply must be supplied externally for connected devices.
	GX-EC0241				

IO-Link Master Unit

Type	Model	Slave Unit installation method	I/O connection method	Internal power supply	External power supply
GX-type IO-Link Master Unit	GX-ILM08C	Screw mounting	M12 Smartclick connectors	Shared with unit power supply	I/O power must be supplied externally for connected devices.

Expansion Unit

Type	Model	Slave Unit installation method	I/O connection method	Internal power supply	External power supply
Models with 2-tier terminal block	XWT-ID08 (-1)	DIN track	M3 screw terminal block	Shared with unit power supply	Varies depending on the type of mounted Digital I/O Slave Unit (Refer to "11-1-2 I/O Power Supply" in Page 11 - 3.)
	XWT-OD08 (-1)				
	XWT-ID16 (-1)				
	XWT-OD16 (-1)				

3

Basic Usage Procedures

This chapter explains the procedure of using EtherCAT Slave Units based on specific setting examples.

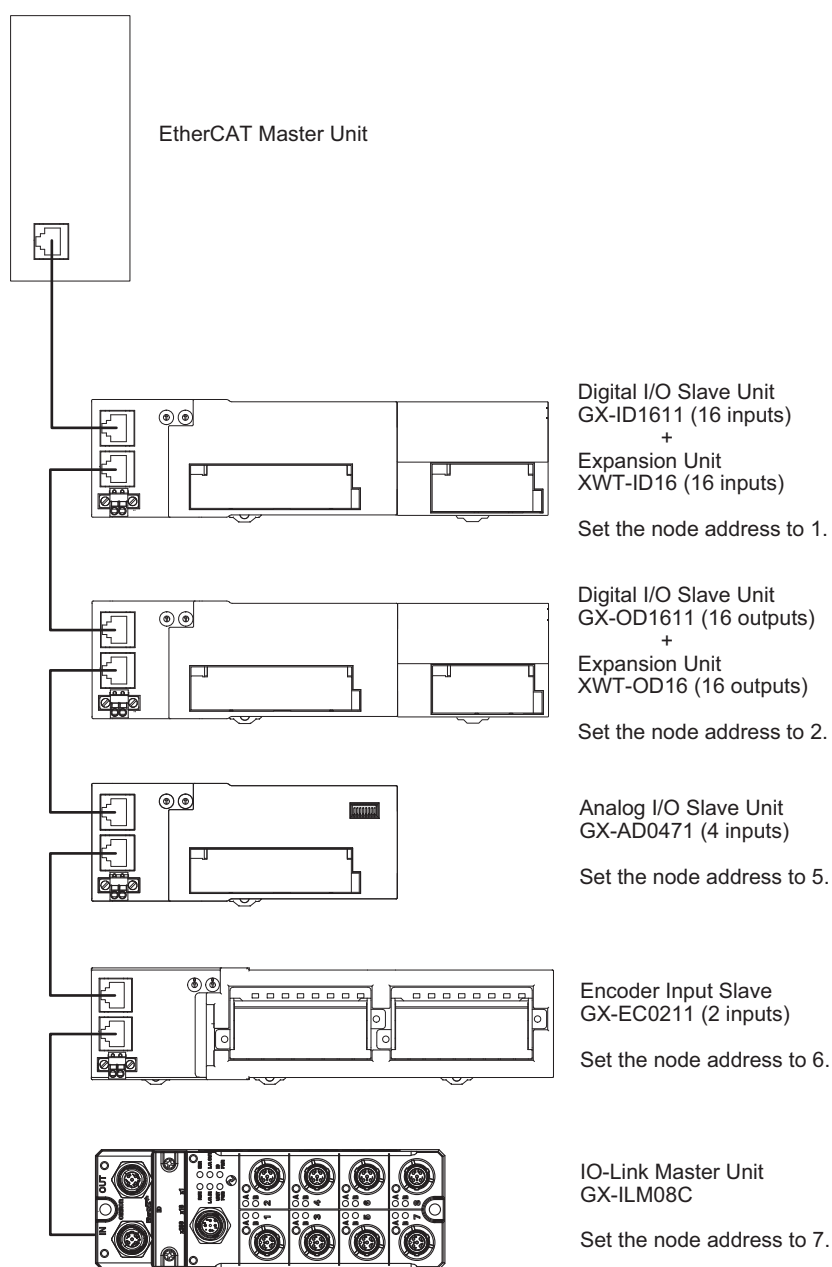
3-1	Setup Examples and Basic Procedure	3-2
3-1-1	System Setting Examples	3-2
3-1-2	Basic Procedure	3-3
3-2	Setting and Wiring Hardware	3-4
3-2-1	Mounting and Setting EtherCAT Master Unit	3-4
3-2-2	Mounting and Setting Slave Units	3-4
3-2-3	Wiring Communications Cables	3-4
3-2-4	Connecting Power Supplies	3-4
3-2-5	Wiring I/O Devices	3-4
3-3	Starting Communications	3-5
3-3-1	Starting a System	3-5
3-3-2	Setting EtherCAT Communications	3-5
3-3-3	Starting EtherCAT Communications	3-5
3-4	Checking Operations	3-6
3-4-1	Checking Unit Displays	3-6
3-4-2	Confirming Data Read and Write	3-6
3-4-3	Setting Slave Unit Parameter	3-6

3-1 Setup Examples and Basic Procedure

This section explains the setup method by using simple system setting examples.

3-1-1 System Setting Examples

Connect each of the following Slave Units to the EtherCAT Master Unit and make the settings.



Although it is not shown in the figure above, supply the unit power and the I/O power separately.



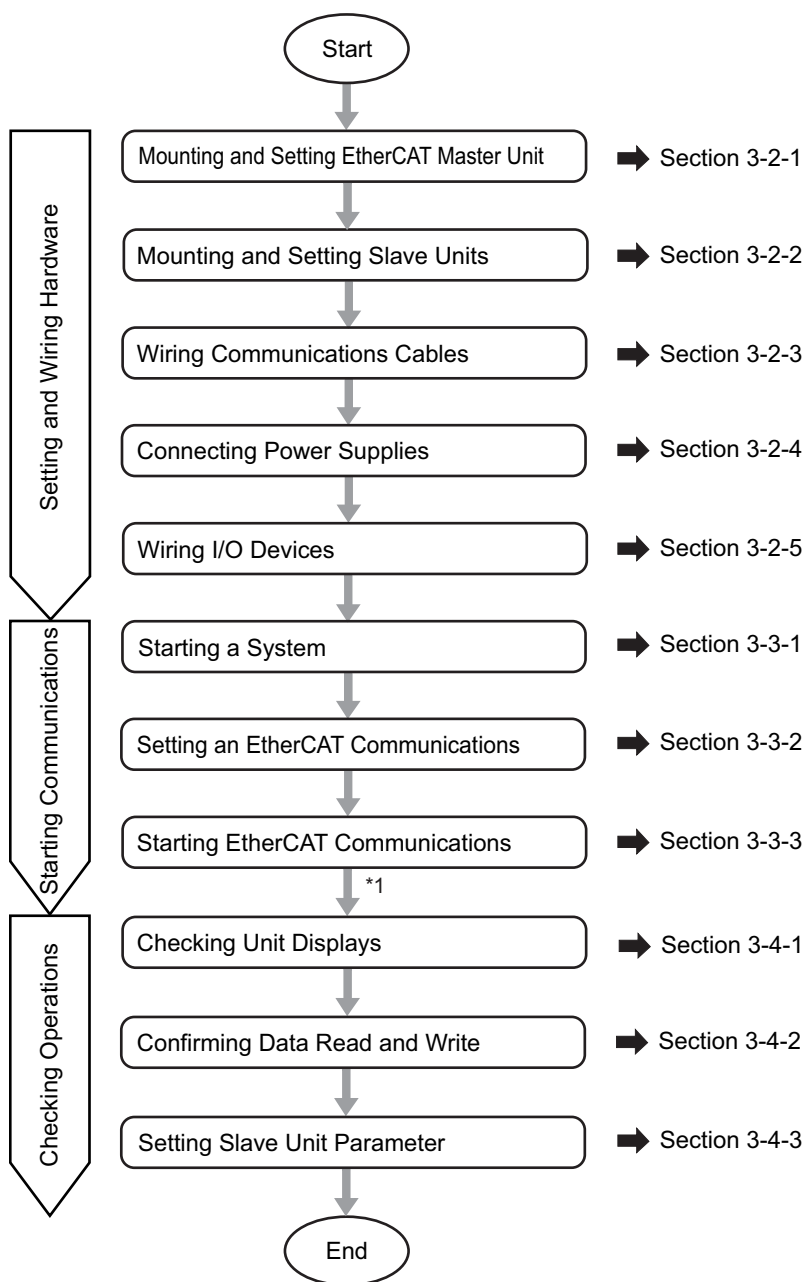
Reference

The setting example explained here is the basic setting of GX-series EtherCAT Slave Units. If more detailed settings are required in actual operation, refer to the manual of the EtherCAT Master Unit or pages on this manual explaining the detail for each Slave Unit (Chapter 7 to Chapter 11).

Moreover, if your system configuration includes Slave Units other than our products, make the setting upon referring to the manual of the relevant Slave Units.

3-1-2 Basic Procedure

This is the flow of the procedures explained in the following sections.



*1 If you use an IO-Link Master Unit, refer to the *IO-Link System User's Manual (W570)* for IO-Link communications settings and for information on starting IO-Link communications.

3-2 Setting and Wiring Hardware

Make settings and wiring of the EtherCAT Master Unit and Slave Units, and power supply.

3-2-1 Mounting and Setting EtherCAT Master Unit

Mount the EtherCAT Master Unit at the prescribed location and make settings of Unit No. and so on.
For the detailed explanation, refer to the manual of the EtherCAT Master Unit to be used.

3-2-2 Mounting and Setting Slave Units

Mount each Slave Unit at the prescribed location and make settings of node address and so on.
For details, refer to each item below.

- **Mounting**

"4-1 Mounting Slave Units" in page 4 - 2

- **Setting**

Pages in Chapter 6 to Chapter 11 which explain the general specification and details of each type of Slave Units.

3-2-3 Wiring Communications Cables

Wire communications cables to the EtherCAT Master Unit and each Slave Unit.
For wiring method, refer to "4-2 Connecting to EtherCAT Network" in page 4 - 4.

3-2-4 Connecting Power Supplies

Connect the unit power supply to the EtherCAT Master Unit and Slave Units.
In addition, connect the I/O power supply to each Slave Unit as required.
For the connection method, refer to "4-3 Connecting to Unit Power Supply and I/O Power Supply" in page 4 - 8 or the wiring diagram of each Slave Unit (in pages explaining the details).

3-2-5 Wiring I/O Devices

Connect input and output devices to each Slave Unit as required.
For the connection method, refer to "4-4 Connecting an External Device" in page 4 - 13 or the wiring diagram of each Slave Unit (in pages explaining the details).

3-3 Starting Communications

Start the system, allocate I/O data of Slave Units, and then start the EtherCAT communications. For operational state and details of it, refer to "5-3 Communications State Transitions" in page 5 - 4. If you use an IO-Link Master Unit, refer to the *IO-Link System User's Manual (W570)* for IO-Link communications settings and for information on starting IO-Link communications.

3-3-1 Starting a System

Turn ON the power supply to each Unit.

- (1) Unit power supply of EtherCAT Master Units
- (2) Unit power supply of Slave Units (When the power is supplied, Slave Unit's [PWR] indicator is lit.)
- (3) I/O power supply of Slave Units

Note that there are no restrictions on the order of turning ON the power supplies.

3-3-2 Setting EtherCAT Communications

The following communications are performed in EtherCAT.

- **PDO communications (remote I/O communications)**

Allocate I/O data of Slave Units to the EtherCAT Master Unit (PDO mapping) and perform PDO communication (remote I/O communications).

For the detailed explanation of I/O data of each Slave Unit, refer to "I/O Data Allocation (PDO Mapping)" in Chapter 7 to Chapter 9.

Note that the ESI file are used to allocate I/O data.

For the detailed explanation of the procedure, refer to the manual of the EtherCAT Master Unit to be used and the manual of the Configuration Tool.

- **SDO communications (message communications)**

For the method of using, refer to the manual of the EtherCAT Master Unit to be used.

Refer to "Appendix A - 1 Object Dictionary" for the detailed explanation of objects implemented on GX-series EtherCAT Slave Units.

Note that the SDO communications can be used in the pre-operational state or more.

3-3-3 Starting EtherCAT Communications

Shift to the operational state (EtherCAT communications possible) to start the EtherCAT communications.

For how to shift to the operational state, refer to the manual of the EtherCAT Master Unit to be used.

3-4 Checking Operations

Confirm that the LED indicators of the EtherCAT Master Unit and Slave Units are normal status and that I/O data is correctly read and written.

Moreover, make parameter settings for Slave Units as required.

If you use an IO-Link Master Unit, refer to the *IO-Link System User's Manual (W570)* for the method to confirm the operation of IO-Link communications.

3-4-1 Checking Unit Displays

- **EtherCAT Master Unit**

Refer to the manual of the EtherCAT Master Unit to be used.

- **EtherCAT Slave Units**

Check that the status indicator of each Slave Unit is as follows.

LED	State
PWR	ON
L/A IN	Flickering
L/A OUT	Flickering (turned OFF for the terminal Slave Unit only)
RUN	ON
ERR	OFF

3-4-2 Confirming Data Read and Write

Use the Configuration Tool to read IN data and OUT data of the EtherCAT Master Unit in order to check that the I/O data is correctly read and written.

3-4-3 Setting Slave Unit Parameter

Make parameter settings for each Slave Unit as required via the SDO communications.

For the details of parameters that can be set, refer to the pages explaining details of each Slave Unit in Chapter 7 to Chapter 9.

4

Installation and Wiring

This chapter explains the mounting and wiring methods of the EtherCAT Slave Unit.

4

4-1	Mounting Slave Units	4-2
4-1-1	Mounting Preparation	4-2
4-1-2	Mounting Direction	4-2
4-1-3	Mounting Method	4-2
4-1-4	Removal Method	4-3
4-2	Connecting to EtherCAT Network	4-4
4-2-1	Precautions for Network Connection	4-4
4-2-2	Preparation for Connecting Network	4-5
4-2-3	Connecting Communications Cables and Connectors	4-6
4-2-4	Connecting to Communications Cables	4-7
4-3	Connecting to Unit Power Supply and I/O Power Supply	4-8
4-3-1	Precautions at Supplying Unit Power and I/O Power	4-8
4-3-2	Unit Power Supply Specifications	4-9
4-3-3	Connecting the Unit Power Supply	4-9
4-3-4	Connecting the I/O Power Supply	4-11
4-4	Connecting an External Device	4-13
4-4-1	Connecting to a Screw Terminal Block	4-13
4-4-2	Connecting to e-CON Connector Terminals	4-14
4-4-3	Connecting the M12 Connector	4-17

4-1 Mounting Slave Units

This section describes the DIN Track mounting method for GX-series Digital I/O Slave Units, Analog I/O Slave Units, and Encoder Input Slave Units.

4-1-1 Mounting Preparation

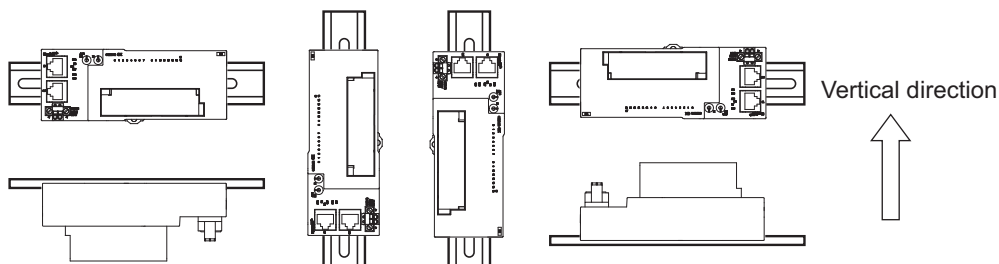
Prepare the following devices.

Product name	Model	Comment
35-mm DIN track	PFP-50N	Length 50 cm
	PFP-100N	Length 100 cm
	PFP-100N2	Length 100 cm
End plate	PFP-M	2 end plates are required for each Slave Unit.

4-1-2 Mounting Direction

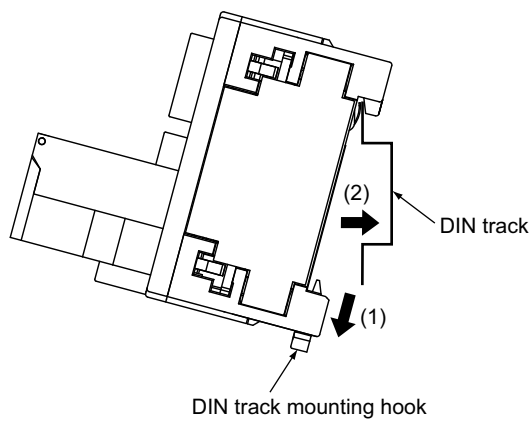
There are no restrictions in the orientation unless otherwise specified in the instruction pages for the Slave Unit.

Mounting is possible in any of the following 6 orientations.

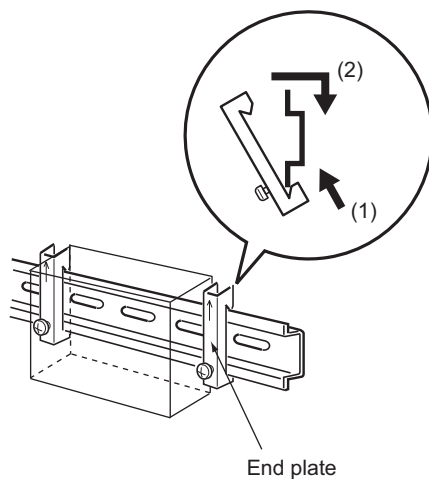


4-1-3 Mounting Method

- 1 Hook the top side of groove on backside of the Slave Unit to the top side of the DIN track, lower the DIN track mounting hook, engage the Slave Unit to the track, and press up the mounting hook to fix it.



- 2** Hook the bottom side of the end plate to the bottom side of the DIN track and then hook the top side.
Attach an end plate on each side of the Unit.



Precautions for Safe Use

After the operation, make sure to check that the Slave Unit is securely mounted.

4-1-4 Removal Method

Loosen the screws on the end plate and remove the end plate from the DIN track. Then pull down the DIN track mounting hook to release the lock. Pull out the Slave Unit straight toward you.

4-2 Connecting to EtherCAT Network

This section explains how to lay down EtherCAT network.

4-2-1 Precautions for Network Connection

Observe the precautions below when laying down the EtherCAT network.

Precautions at laying down network

- When laying down an EtherCAT network, take sufficient safety measures and construct the network according to the standards. We recommend to request specialized constructors familiar with the safety measures and standards to perform the laying operation.
- Do not lay down EtherCAT network devices near any devices generating noise. If there is no choice but to lay them down in a noisy environment, make sure to take noise measures such as housing each device in metal cases.

Precautions at laying down communications cables

- Check the following items for communications cables to be used.
 - Are there any disconnected cables?
 - Are any cables short-circuited?
 - Are there any problems in connector connections?
- To connect a cable to communications connector of each device, insert it securely until the connector of the communications cable is locked.
- Lay down and wire the communications cables separately from high-voltage electrical power lines.
- Do not lay down the cables near devices generating noise.
- Do not lay down the cables in high-temperature and high-humidity environment.
- Use the cables in locations without powder dust and oil mist.
- There is a limit to the bending radius of communications cables. Check the specification of communications cables to be used for the information on bending radius.

4-2-2 Preparation for Connecting Network

The following accessories are available for GX-series Digital I/O Slave Units, Analog I/O Slave Units, and Encoder Input Slave Units.

Product name	Comment
Twisted-pair cable (Cables with connectors below are also allowed.)	100BASE-TX (Category 5 or higher) Double-shield (aluminum tape + braided shielding)
RJ45 connector	Category 5 or higher Shielded

Refer to "6-3-3 Communications Connectors" in Page 6 - 8 for information on the communications cables for an IO-Link Master Unit.



Precautions for Correct Use

- The maximum cable length between connected nodes is 100 m. Note that some cables do not guarantee 100 m. In general, if the conductors are strand wire, the transmission performance will be lower than solid wire and the operation at 100-m distance cannot be guaranteed. Confirm details with the cable manufacturer.
- When selecting connectors, check that the cables to be used conform to connectors. Items to be checked include conductor size, conductor wire type (solid wire/twisted wire, 2/4 pairs), and outer diameter.

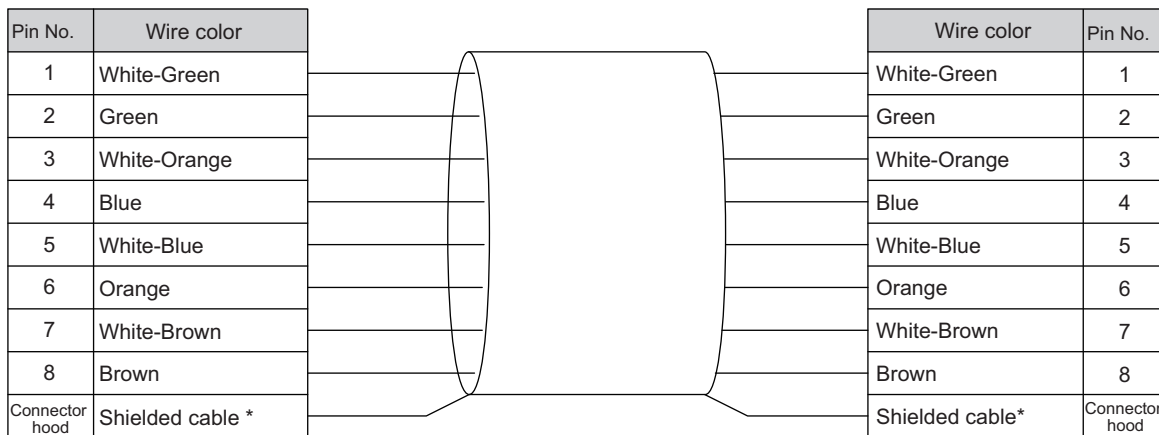
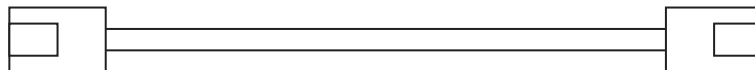


Reference

We recommend cables with double, aluminum tape and braided shielding, taking noise resistance into consideration.

4-2-3 Connecting Communications Cables and Connectors

Connect a communications cable and a connector by wiring them straight as shown below.



* Connect both ends of cable shielded wires to the connector hoods.



Reference

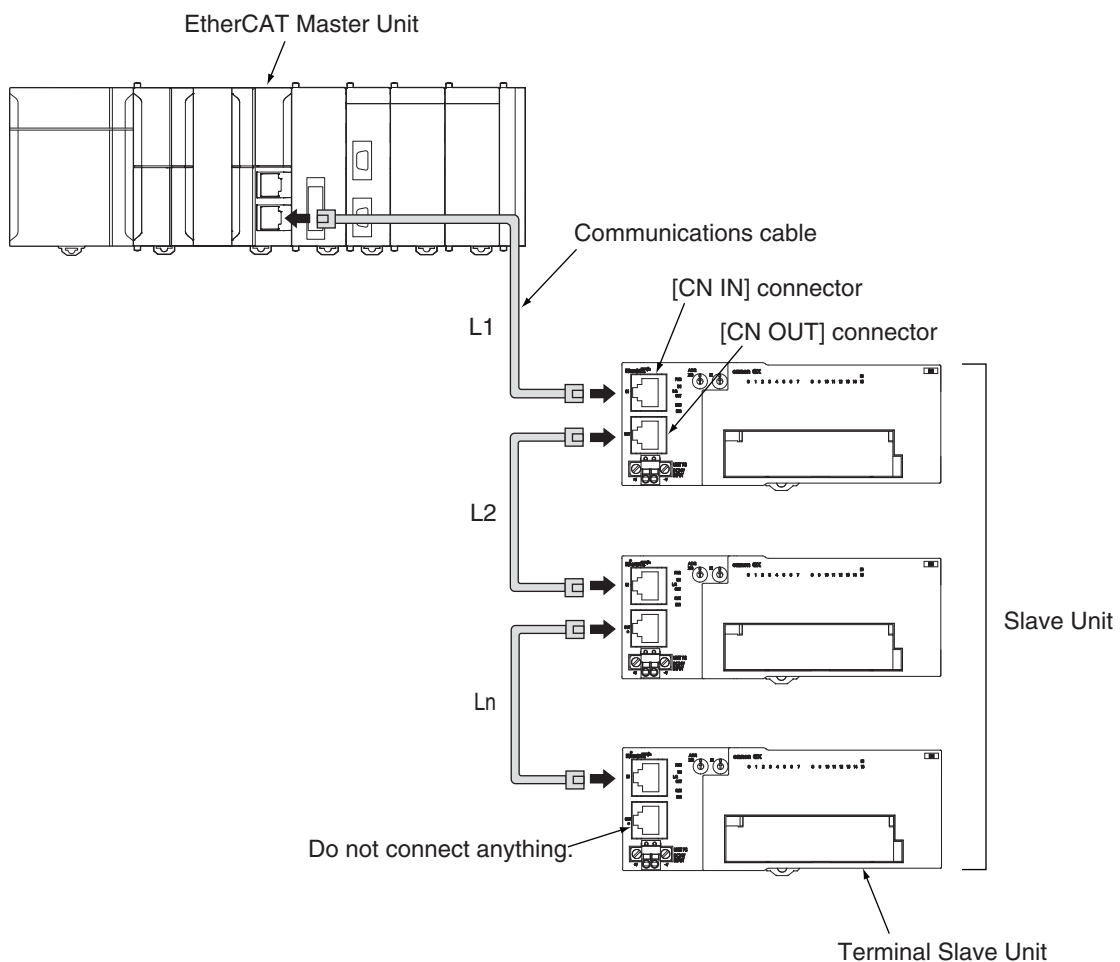
There are 2 types of wiring standards for Ethernet cables : "T568A" and "T568B."
 The figure above shows a wiring method conforming to the standard "T568A". The wiring method conforming to the standard "T568B" can also be used.

4-2-4 Connecting to Communications Cables

EtherCAT networks allow free wiring in any connection forms. Connection before and after the GX-series EtherCAT Slave Units shall be made in daisy chain connection.

Connect the communications cable from the EtherCAT Master Unit to the [CN IN] connector of the Slave Units. Connect another the communications cable from the [CN OUT] connector of the first Slave Unit to the [CN IN] connector of the next Slave Unit.

Note that nothing should be connected to the [CN OUT] connector of the Slave Unit at the terminal end of the network.



Precautions for Correct Use

- The cable length between each Slave Unit (L1, L2, ... Ln) must be within 100 m.
- Connect cables securely until communications cable connectors click and are fixed in place.
- When you wire the communications cables, observe their specifications (bending radius and so on) defined by the cable manufacturer.

4-3 Connecting to Unit Power Supply and I/O Power Supply

The following power supplies are required to operate the EtherCAT network.

- Unit power supply: For communication and internal operation of Slave Units.
- I/O power supply: For input/output operation of external I/O devices of each Slave Unit.

This section explains how to supply the unit power supply and I/O power supply.

4-3-1 Precautions at Supplying Unit Power and I/O Power

When supplying the unit power supply and I/O power supply, take the followings into consideration for allowable current of cables and connectors, voltage drop, and layout of power supplies.

● Consideration to cable voltage drop

The power supply voltage of a Slave Unit farthest to the power supply must be within the allowable variation range.

● Supplying unit power supply and I/O power supply from multiple sources

When the unit power and I/O power are supplied from multiple power supplies instead of from one power supply, the line current, voltage drop, and cable size can be reduced. Moreover, it is effective to secure safety of the system at power supply errors.

● If power supply errors occur

Consideration on layout and grouping of power supplies differ by whether you want to stop the entire system or not when a power supply error occurs.

If you want to avoid stopping the entire system, we recommend to set power supplies at several locations and supply power to groups of Slave Units, or take similar measures.

This has also the effects of reducing voltage drop and cable size and so on.

4-3-2 Unit Power Supply Specifications

Use a general purpose power supply that satisfies the following specifications.

Item	Specification
Output voltage	24 VDC \pm 10%
Output ripple	600 mVp-p
Output current	Has the capacity to supply power more than the total current consumption of each Slave Unit
Isolation	Between output and AC power supply as well as between output and chassis ground

We recommend S8JX series power supplies made by OMRON for the unit power supply for Slave Units.



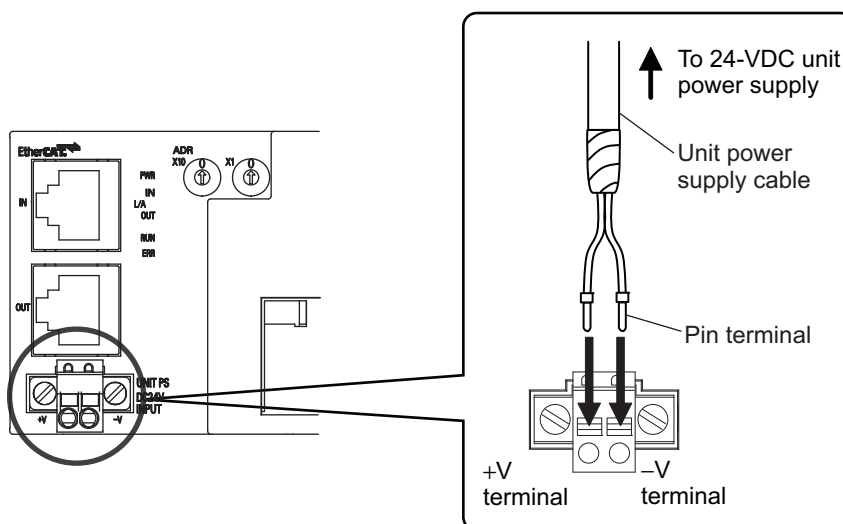
Precautions for Correct Use

- The I/O power supply for the input section of the e-CON connector type Slave Units is shared with the unit power supply. To calculate the output current of the unit power supply, be sure to use "unit power supply current consumption" to which "input current" and "input connection device supply current" have been added.
- Use a power supply with sufficient capacity considering the inrush current at startup.

4-3-3 Connecting the Unit Power Supply

Connect a cable from the 24-VDC unit power supply to the unit power supply connector on each Slave Unit, and supply power to individual Slave Units.

Digital I/O Slave Units, Analog I/O Slave Units, and Encoder Input Slave Units



Mount a pin terminal, or equivalent to the unit power supply cable so that it will not be displaced.

● **Recommended product**

The following pin terminals are recommended for the unit power supply cables.

Model	Applicable wire size	Crimping tool	Manufacturer
AI0,5-10WH	0.5 mm/AWG20	CRIMPFOX UD6 (Product No. 1204436) or CRIMPFOX ZA3 series	Phoenix Contact Co., Ltd.
H0.5/16 orange	0.5 mm/AWG20	Crimper PZ1.5 (Product No. 900599)	Weidmueller Japan Co., Ltd.

Also, the following screwdriver is recommended for removing pin terminals.

Model	Manufacturer
XW4Z-00C	OMRON

IO-Link Master Unit

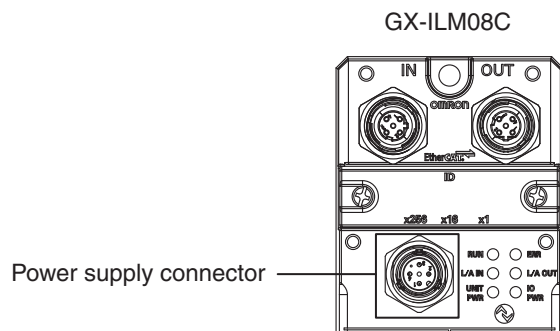
Supply the Unit power supply and the I/O power supply through the same power supply connector.

(Notes) Supply the Unit power supply and the I/O power supply from separate sources.

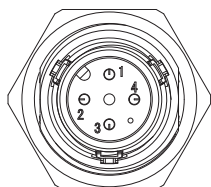
An M12 connector (A-coding, male) is used for the power supply connector.

The Unit power supply specifications are given below.

Item	Specification
Unit power supply voltage	20.4 to 26.4 VDC (24 VDC -15%/+10%)



● **Power Supply Connector**



Pin No.	Signal	Description
1	UNT_P+	Unit power supply +
2	UNT_P-	Unit power supply -
3	IO_P+	I/O power supply +
4	IO_P-	I/O power supply -

4-3-4 Connecting the I/O Power Supply

Digital I/O Slave Units, Analog I/O Slave Units, and Encoder Input Slave Units

● Units with screw terminal blocks

It supplies the 24-VDC I/O power to the I/O power supply terminal on each Slave Unit.

For the locations of I/O power supply terminals, see the terminal layout diagrams for each Slave Unit or wiring diagrams in Chapter 7 to Chapter 10.

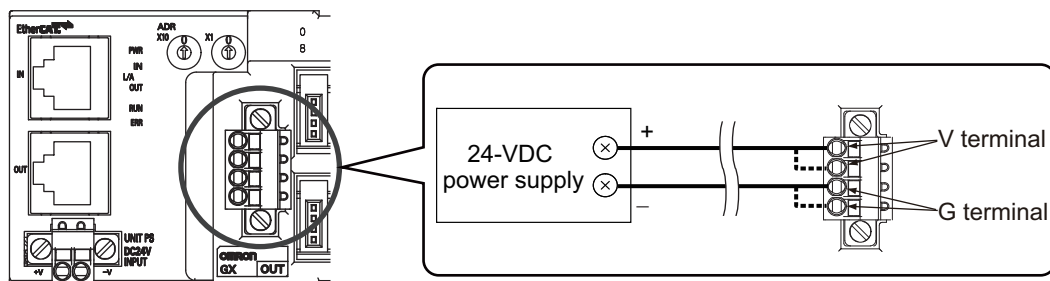
Moreover, for how to connect power supplies to terminals, refer to "4-4-1 Connecting to a Screw Terminal Block" in Page 4 - 13.

● Units with e-CON connectors

The following e-CON connector type Slave Units (Output Slave Units and output sections of Input/Output Slave Units) are equipped with I/O power supply connectors to supply I/O power to external devices.

- GX-OD1618/OD1628/MD1618 (output section only)/MD1628 (output section only)
- GX-OD3218/OD3228/MD3218 (output section only)/MD3228 (output section only)

To connect external devices to these Slave Units, supply the 24-VDC I/O power to the I/O power supply connector.



Mount a pin terminal, or equivalent to the power supply cable so that it will not be displaced.

● **Recommended product**

The following pin terminals are recommended for the unit power supply cables.

Model	Applicable wire size	Crimping tool	Manufacturer
AI0,5-10WH	0.5 mm/AWG20	CRIMPFOX UD6 (Product No. 1204436) or CRIMPFOX ZA3 series	Phoenix Contact Co., Ltd.
H0.5/16 orange	0.5 mm/AWG20	Crimper PZ1.5 (Product No. 900599)	Weidmueller Japan Co., Ltd.

Also, the following screwdriver is recommended for removing pin terminals.

Model	Manufacturer
XW4Z-00C	OMRON

IO-Link Master Unit

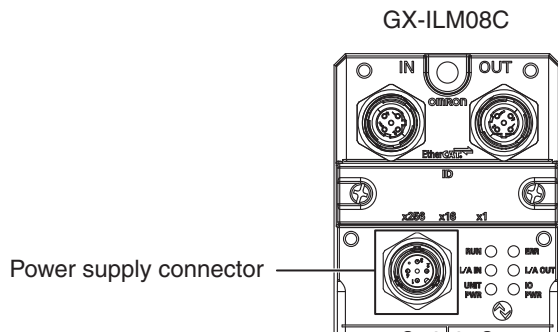
Supply the Unit power supply and the I/O power supply through the same power supply connector.

(Notes) Supply the Unit power supply and the I/O power supply from separate sources.

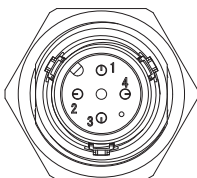
An M12 connector (A-coding, male) is used for the power supply connector.

The I/O power supply specifications are given below.

Item	Specification
I/O power supply	20.4 to 26.4 VDC (24 VDC -15%/+10%)



● **Power Supply Connector**



Pin No.	Signal	Description
1	UNT_P+	Unit power supply +
2	UNT_P-	Unit power supply -
3	IO_P+	I/O power supply +
4	IO_P-	I/O power supply -

4-4 Connecting an External Device

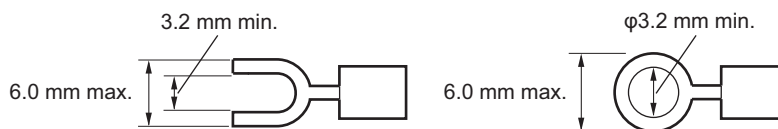
Connect an external device to the I/O terminal of a Slave Unit.

The method of connection differs between Units with screw terminal blocks and Units with e-CON connectors.

4-4-1 Connecting to a Screw Terminal Block

After mounting a crimp terminal to the cable of the external device to be connected, connect it to the terminal block.

- 1 Mount the following crimp terminal to the signal line of the cable.



- 2 Connect the signal line to the terminal block.

Tighten the terminal block screws to the appropriate tightening torque of 0.5 N • m.

The terminal block is removable; remove the left and right screws if it is necessary to remove the terminal block to connect the signal line.



Precautions for Correct Use

To remove the terminal block from the Slave Unit, loosen the left and right mounting screws alternately. When mounting the terminal block as well, tighten the left and right screws alternately.

If you tighten or loosen only one of the screws all the way without tightening or loosening the other screw using an electric screwdriver, the terminal block will be distorted and cracked.

4-4-2 Connecting to e-CON Connector Terminals

Connect the dedicated e-CON connector to the cables of the external device to be connected and then connect it to the connector terminal.

Checking the e-CON connector and cable wire size

The wire size and sheath diameter of applicable cables vary by the type of e-CON connector. Use the next table to check that the e-CON connectors to be used conform to the wire size and sheath diameter of the cables of the connected device.

● Tyco Electronics connectors

Model	Housing color	Applicable wire range	
3-1473562-4	Orange	Sheath diameter: 0.6 to 0.9 mm	Cross-sectional area: 0.08 to 0.5 mm ²
1-1473562-4	Red	Sheath diameter: 0.9 to 1.0 mm	
1473562-4	Yellow	Sheath diameter: 1.0 to 1.15 mm	
2-1473562-4	Blue	Sheath diameter: 1.15 to 1.35 mm	
4-1473562-4	Green	Sheath diameter: 1.35 to 1.60 mm	

● Sumitomo 3M connectors

Model	Housing color	Applicable wire range
37104-3101-000FL	Red	AWG26 (0.14mm ²) to AWG24 (0.2mm ²) Sheath diameter: 0.8 to 1.0 mm
37104-3122-000FL	Yellow	AWG26 (0.14mm ²) to AWG24 (0.2mm ²) Sheath diameter: 1.0 to 1.2 mm
37104-3163-000FL	Orange	AWG26 (0.14mm ²) to AWG24 (0.2mm ²) Sheath diameter: 1.2 to 1.6 mm
37104-2124-000FL	Green	AWG22 (0.3mm ²) to AWG20 (0.5mm ²) Sheath diameter: 1.0 to 1.2 mm
37104-2165-000FL	Blue	AWG22 (0.3mm ²) to AWG20 (0.5mm ²) Sheath diameter: 1.2 to 1.6 mm
37104-2206-000FL	Gray	AWG22 (0.3mm ²) to AWG20 (0.5mm ²) Sheath diameter: 1.6 to 2.0 mm

● Panasonic Electric Works connectors

Model	Housing color	Applicable wire range
AXF12142	Red	AWG22 (0.3mm ²) to AWG20 (0.5mm ²) Sheath diameter: 1.2 to 2.0 mm
AXF12146	Yellow	AWG28 (0.08mm ²) to AWG24 (0.2mm ²) Sheath diameter: 0.7 to 1.2 mm

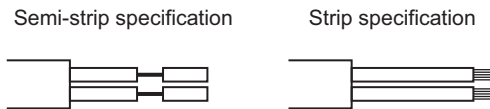
● OMRON connectors

Model	Specification	Applicable wire range
XN2A-1470	Spring clamp type	AWG28 (0.08mm ²) to AWG20 (0.5mm ²) Sheath diameter: 1.5 mm max.

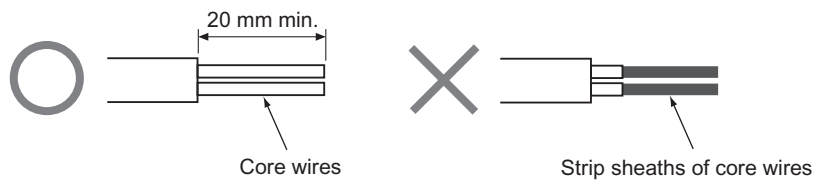
Processing external devices cables

● Using Tyco Electronics, Sumitomo 3M or Panasonic Electric Works connectors

Cables of connected devices are normally cut in semi-strip or strip specification as shown in the next figures.

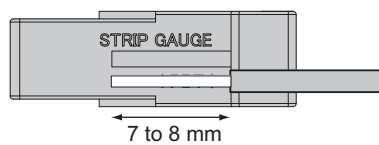


When the cables are prepared this way, an e-CON connector cannot be attached. First cut the end and remove the cable sheath as shown in the following diagram. (Do not strip the sheaths of the core wires.)



● Using OMRON connectors

Align the cable with the STRIP GAUGE described on the side of the connector. Remove 7 to 8 mm of the wiring sheath, and twist the exposed wires several times.



Inserting wires into the cable connector

Insert the cable wire of the extend device to the cable connector.

Make sure that the terminal numbers printed on the connector cover matches the colors of wires as shown in the next table.

Terminal number	NPN Slave Unit		PNP Slave Unit	
	3-wire sensor	2-wire sensor	3-wire sensor	2-wire sensor
1	Brown (red)	–	Brown (red)	Brown (white)
2	–	–	–	–
3	Blue (black)	Blue (black)	Blue (black)	–
4	Black (white)	Brown (white)	Black (white)	Blue (black)

Notes Wire colors have been changed according to revisions in the JIS standards for photoelectric sensors and proximity sensors.

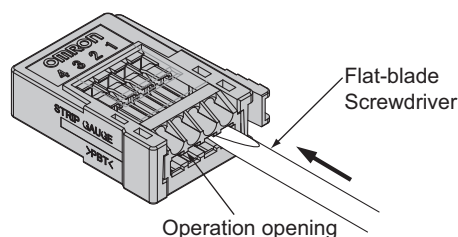
The colors in parentheses are the wire colors prior to the revisions.

● Using Tyco Electronics, Sumitomo 3M or Panasonic Electric Works connectors

- 1** Insert the wire all the way to the wire insertion opening on the cover of the cable connector.
- 2** Use a pliers, or equivalent to press the cover into the body. At this point, press the cover straight in such that the cover is horizontal to the body.

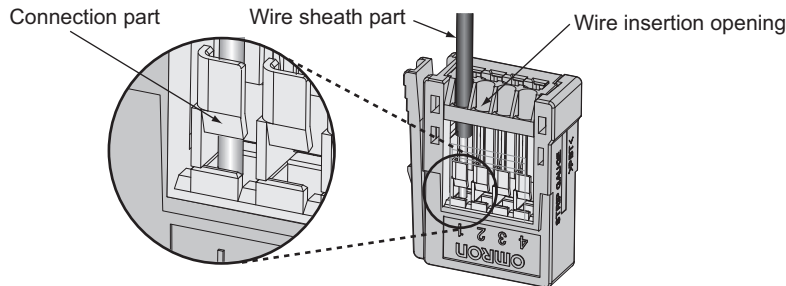
● Using OMRON connectors

- 1** Use a flat-blade screwdriver to push the operation lever inside the connector's operation opening until it locks, as shown in the following diagram.

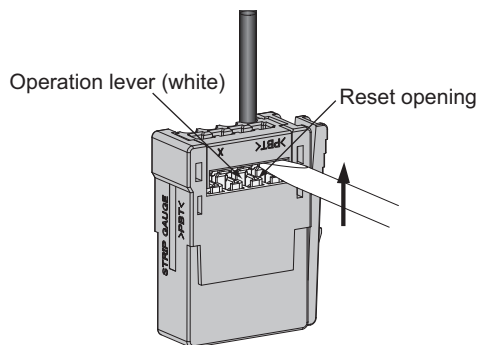


2 Insert the wire all the way to the back of the wire insertion opening.

Check that the sheath of the wire is inserted into the wire insertion opening, and that the end of the conductor has passed through the connection part.

**3** Insert a screwdriver into the reset opening and pull back the operation lever lightly.

A click will be heard and the operation lever will return to its normal position.

**4** Lightly pull the wire to confirm that it is connected properly.**Precautions for Correct Use**

To remove a wire, push in the operation lever, check that the operation lever has locked, and then pull out the wire. Also, after removing the wire, always return the operation lever to its normal position.

4-4-3 Connecting the M12 Connector

For SmartClick Connectors, insert the Connector all the way and turn it approx. 1/8 of a turn. Torque management is not required.

For screw connections to M12 connectors, tighten the lock on the M12 connection sufficiently with your hands (tightening torque: 0.39 to 0.49 N·m).

If the lock is not tightened sufficiently, the degree of protection may not be achieved and the connector may become loose due to vibration. Never use pliers or other tools to tighten the lock. Doing so may damage the connector.

5

EtherCAT Communications

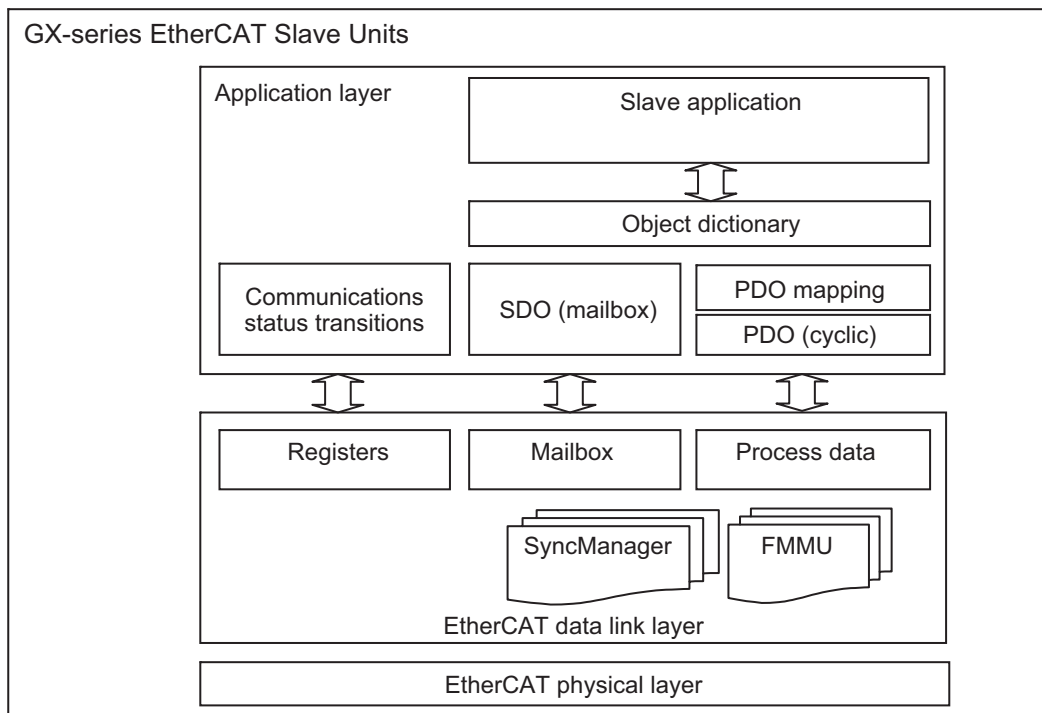
This chapter explains the overview of EtherCAT communications.

5-1	Structure of CAN application protocol over EtherCAT (CoE)	5-2
5-2	EtherCAT Slave Information File (ESI File)	5-3
5-3	Communications State Transitions	5-4
5-4	Process Data Objects (PDO)	5-5
5-4-1	Overview	5-5
5-4-2	PDO Mapping Settings	5-5
5-4-3	Sync Manager PDO Assignment Settings	5-6
5-4-4	Fixed PDO Mapping	5-7
5-5	Service Data Object (SDO)	5-10
5-5-1	Overview	5-10
5-5-2	Abort Codes	5-10
5-6	EtherCAT Master Unit - Slave Unit Communications	5-11
5-6-1	FREE RUN Mode	5-11
5-6-2	DC Mode	5-11
5-7	Emergency Messages	5-13
5-7-1	Emergency Message Notification	5-13
5-7-2	Diagnosis History	5-14
5-8	Sysmac Device Functions	5-15

5-1 Structure of CAN application protocol over EtherCAT (CoE)

Normally, multiple protocols can be transferred by EtherCAT. But GX-series EtherCAT Slave Units use "CAN application protocol over EtherCAT (CoE)", a communication interface to be applied for EtherCAT devices, as the device profile of the open network standard "CAN application protocol."

The figure below shows the structure of CoE in GX-series EtherCAT Slave Units.



CAN application protocol has two types of object dictionaries, PDO (Process Data Object) and SDO (Service Data Object) .

PDO is composed of object dictionaries that can be mapped. The process data is defined by PDO mapping.

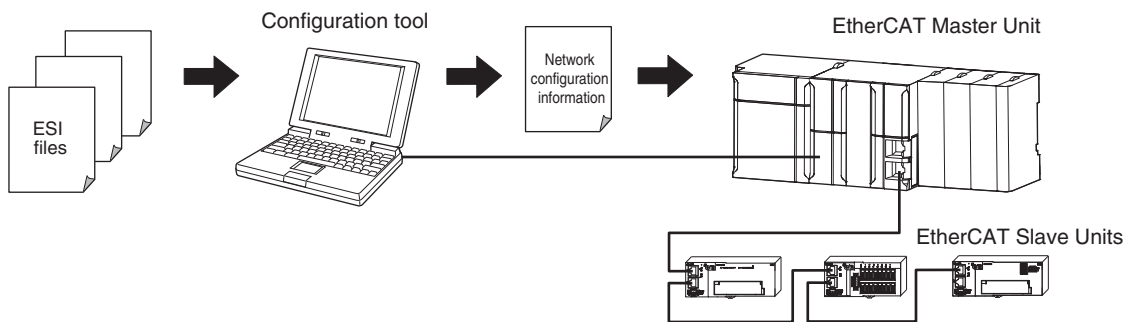
PDO is primarily used in PDO communications for regularly exchanging process data.

Moreover, SDO is able to read and write all object dictionaries and is used in non-fixed-cycle type SDO (event type messages) communications.

By using the CoE interface to set object SDO and PDO dictionaries, EtherCAT can provide EtherCAT devices with the same device profile as CAN application protocol.

5-2 EtherCAT Slave Information File (ESI File)

An EtherCAT Slave Information (ESI) file contains the setting information of an EtherCAT Slave Unit. Various EtherCAT communications setting can be defined from the ESI files of connected Slave Units and the network connection information. ESI files are installed in the configuration tool to create network configuration information. You can download the network configuration information to the EtherCAT Master Unit to configure the EtherCAT network.

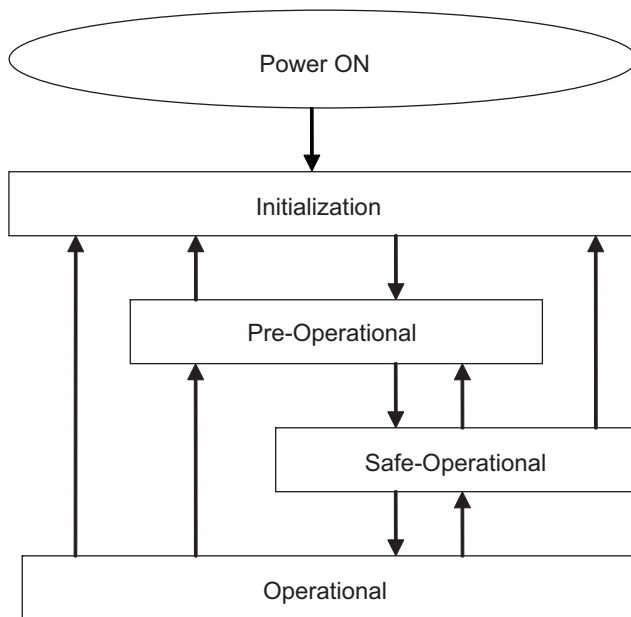


Communications are started according to the communications settings and the network configuration in the ESI files that are installed.

5-3 Communications State Transitions

The EtherCAT State Machine (ESM) indicates the state transition model of EtherCAT Slave Unit communications control. It is controlled by EtherCAT Master Unit.

The following figure shows the communications state transitions from power ON.

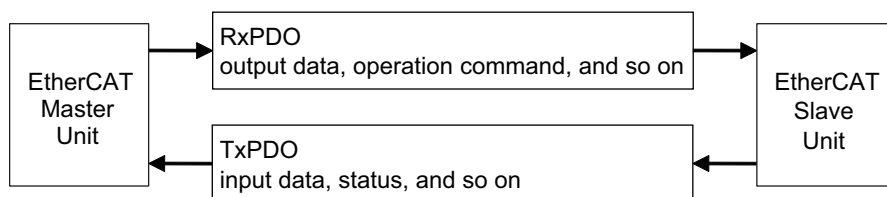


State	SDO communications	PDO transmission	PDO reception	Contents
Initialization (Init)	Not possible.	Not possible.	Not possible.	Communications are being initialized. Communications are not possible.
Pre-Operational (Pre-Op)	Possible	Not possible.	Not possible.	SDO (message) communications are possible in this state. This state is entered after initialization has been completed. It is used to initialize network settings.
Safe-Operational (Safe-Op)	Possible	Possible	Not possible.	In this state, PDO transmissions are possible in addition to SDO (message) communications. PDO sendings can be used to send information such as status from the Slave Unit.
Operational (Op)	Possible	Possible	Possible	Normal communication state PDO communications can be used to control the I/O data.

5-4 Process Data Objects (PDO)

5-4-1 Overview

The process data objects (PDO) are used for real-time data transfer via cyclic communications. There are two types in PDO: RxPDO that receives data from the EtherCAT Master Unit and TxPDO that sends the present value from a EtherCAT Slave Unit to the EtherCAT Master Unit.



It is possible to hold multiple objects in the EtherCAT application layer so that various process data of EtherCAT Slave Units can be transferred. The details of process data are described in PDO Mapping Objects and Sync Manager PDO Assignment Objects.

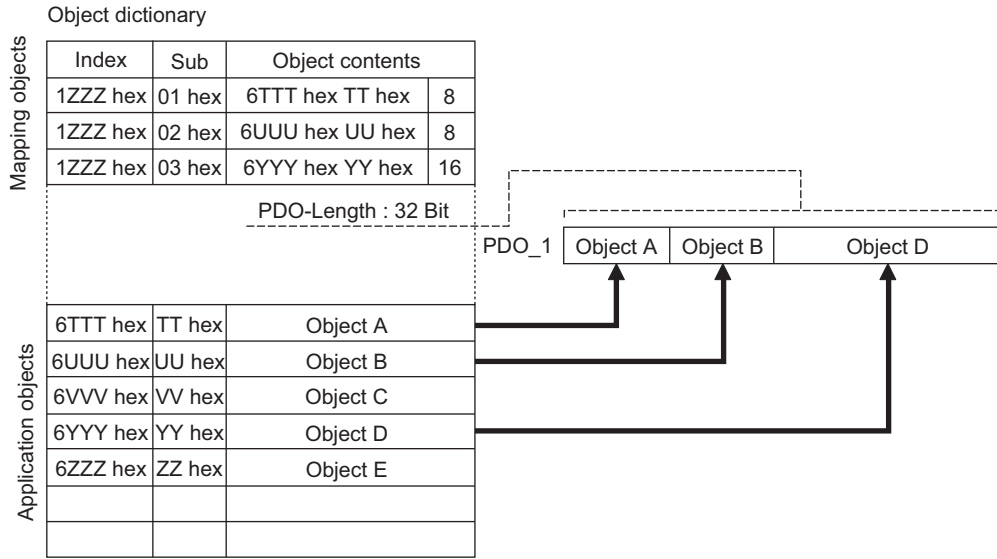
GX-series EtherCAT Slave Units support PDO mapping for I/O control.

5-4-2 PDO Mapping Settings

The PDO mapping indicates the mapping for application objects (realtime process data) between the object dictionary and PDO.

The number of mapped objects is described in sub-index 0 of the mapping table. In this mapping table, indexes 1600 hex to 17FF hex are used for RxPDO and 1A00 hex to 1BFF hex are used for TxPDO.

The figure below shows an example of PDO mapping.

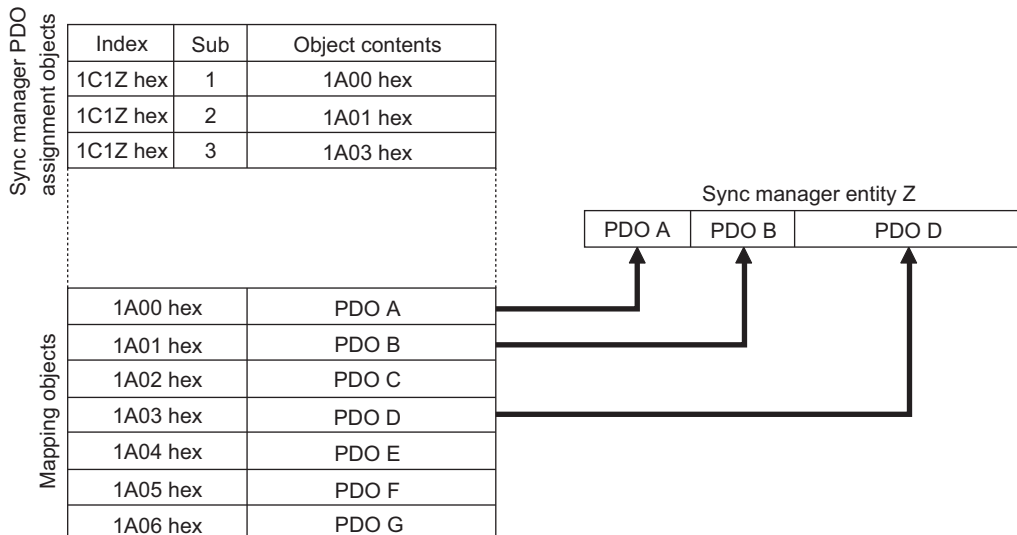


5-4-3 Sync Manager PDO Assignment Settings

A sync manager channel consists of several PDOs. The sync manager PDO assignment objects describe how these PDOs are related to the Sync Manager.

The number of PDOs is given in sub-index 0 of the sync manager PDO assignment table. In this table, index 1C12 hex is for RxPDOs and 1C13 hex is for TxPDOs.

The figure below shows an example of sync manager PDO mapping.



5-4-4 Fixed PDO Mapping

The tables below show the details of fixed PDO mapping for GX-series EtherCAT Slave Units. Note that it is not possible to change fixed PDO details.

● **PDO mapping for Digital I/O Slave Unit**

Fixed PDO mapping of a Digital I/O Slave Unit is determined by the number of inputs and/or outputs per Unit and whether or not Expansion Units are connected.

257th receive PDO Mapping (1700 hex)	8 outputs of Slave Unit	Write output 16-bit (6300 hex)
	8 outputs of Expansion Unit only	
	16 outputs of Slave Unit only	
	16 outputs of Expansion Unit only	
	16 outputs of Slave Unit and 8 outputs of Expansion Unit (24 outputs in total)	Write output 32-bit (6320 hex)
	32 outputs of Slave Unit only	
16 outputs of Slave Unit and 16 outputs of Expansion Unit (32 outputs in total)		
258th receive PDO Mapping (1701 hex)	8 outputs of Slave Unit	Write output bits (3220 hex)
	8 outputs of Expansion Unit only	
	16 outputs of Slave Unit only	
	16 outputs of Expansion Unit only	
	16 outputs of Slave Unit and 8 outputs of Expansion Unit (24 inputs in total)	
	32 outputs of Slave Unit only	
257th transmit PDO Mapping (1B00 hex)	8 inputs of Slave Unit	Write output 16-bit (6100 hex)
	8 inputs of Expansion Unit only	
	16 inputs of Slave Unit only	
	16 inputs of Expansion Unit only	
	16 inputs of Slave Unit and 8 inputs of Expansion Unit (24 inputs in total)	Write output 32-bit (6120 hex)
	32 inputs of Slave Unit only	
16 inputs of Slave Unit and 16 inputs of Expansion Unit (32 inputs in total)		
258th transmit PDO Mapping (1B01 hex)	8 inputs of Slave Unit	Read input bits (3020 hex)
	8 inputs of Expansion Unit only	
	16 inputs of Slave Unit only	
	16 inputs of Expansion Unit only	
	16 inputs of Slave Unit and 8 inputs of Expansion Unit (24 inputs in total)	
	32 inputs of Slave Unit only	
	16 inputs of Slave Unit and 16 inputs of Expansion Unit (32 inputs in total)	

512th transmit PDO Mapping (1BFF hex)	Sysmac errors	Sysmac Error (2002 hex)
---	---------------	-------------------------



Reference

You cannot assign 1700 hex and 1701 hex or 1B00 hex and 1B01 hex at the same time.

● Analog I/O Slave Unit PDO Mappings

257th receive PDO Mapping (1700 hex)	Write analog output 16-bit (6411 hex) *1
257th transmit PDO Mapping (1B00 hex)	Read analog input 16-bit (6401 hex) *2
512th transmit PDO Mapping (1BFF hex)	Sysmac Error (2002 hex)

*1 Analog Output Slave Unit only.

*2 Analog Input Slave Unit only.

● Encoder Input Slave Unit PDO Mappings

257th receive PDO Mapping (1700 hex)	Instruction Bits (4020 hex)
258th receive PDO Mapping (1701 hex)	Preset Value (4011 hex)
259th receive PDO Mapping (1702 hex)	Instruction Flag (4021 hex)
257th transmit PDO Mapping (1B00 hex)	Position Value (4010 hex)
258th transmit PDO Mapping (1B01 hex)	Latch Value A (4012 hex)
259th transmit PDO Mapping (1B02 hex)	Latch Value B (4013 hex)
260th transmit PDO Mapping (1B03 hex)	Status Bits (4030 hex)
261th transmit PDO Mapping (1B04 hex)	Status Flag (4031 hex)
512th transmit PDO Mapping (1BFF hex)	Sysmac Error (2002 hex)



Reference

You cannot assign 1700 hex and 1702 hex or 1B03 hex and 1B04 hex at the same time.

● IO-Link Master Unit

1st receive PDO Mapping (1600 hex)	Port1 Output Data (7000 hex)
2nd receive PDO Mapping (1601 hex)	Port2 Output Data (7010 hex)
3rd receive PDO Mapping (1602 hex)	Port3 Output Data (7020 hex)
4th receive PDO Mapping (1603 hex)	Port4 Output Data (7030 hex)
5th receive PDO Mapping (1604 hex)	Port5 Output Data (7040 hex)
6th receive PDO Mapping (1605 hex)	Port6 Output Data (7050 hex)
7th receive PDO Mapping (1606 hex)	Port7 Output Data (7060 hex)
8th receive PDO Mapping (1607 hex)	Port8 Output Data (7070 hex)
257th receive PDO Mapping (1700 hex)	Digital Output Data (3100 hex)
1st transmit PDO Mapping (1A00 hex)	Port1 Input Data (6000 hex)
2nd transmit PDO Mapping (1A01 hex)	Port2 Input Data (6010 hex)
3rd transmit PDO Mapping (1A02 hex)	Port3 Input Data (6020 hex)
4th transmit PDO Mapping (1A03 hex)	Port4 Input Data (6030 hex)
5th transmit PDO Mapping (1A04 hex)	Port5 Input Data (6040H hex)
6th transmit PDO Mapping (1A05 hex)	Port6 Input Data (6050 hex)
7th transmit PDO Mapping (1A06 hex)	Port7 Input Data (6060 hex)
8th transmit PDO Mapping (1A07 hex)	Port8 Input Data (6070 hex)
257th transmit PDO Mapping (1B00 hex)	I/O Port Status (3000 hex)
258th transmit PDO Mapping (1B01 hex)	Port1_2 I/O Port Error Status (3001 hex)
259th transmit PDO Mapping (1B02 hex)	Port3_4 I/O Port Error Status (3002 hex)
260th transmit PDO Mapping (1B03 hex)	Port5_6 I/O Port Error Status (3003 hex)
261th transmit PDO Mapping (1B04 hex)	Port7_8 I/O Port Error Status (3004 hex)
262th transmit PDO Mapping (1B05 hex)	Digital Input Data (3005 hex)
511th transmit PDO Mapping (1BFE hex)	Diagnosis History (10F3 hex)
512th transmit PDO Mapping (1BFF hex)	Symac Error Status (2002 hex)

5-5 Service Data Object (SDO)

5-5-1 Overview

GX-series EtherCAT Slave Units support the SDO communications.

The EtherCAT Master Unit is able to make parameter settings and monitor status by reading and writing data from and to entries in object dictionaries via the SDO communications.

5-5-2 Abort Codes

The table below shows abort codes of SDO communications errors.

Code	Meaning
05030000 hex	Toggle bit not changed
05040000 hex	SDO protocol timeout
05040001 hex	Client/Server command specifier not valid or unknown
05040005 hex	Out of memory
06010000 hex	Unsupported access to an object
06010001 hex	Attempt to read a write only object
06010002 hex	Attempt to write to a read only object
06020000 hex	The object does not exist in the object directory.
06040041 hex	The object cannot be mapped into the PDO.
06040042 hex	The number and length of the objects to be mapped would exceed the PDO length.
06040043 hex	General parameter incompatibility reason
06040047 hex	General internal incompatibility in the device.
06060000 hex	Access failed due to a hardware error.
06070010 hex	Data type does not match, length of service parameter does not match.
06070012 hex	Data type does not match, length of service parameter too high.
06070013 hex	Data type does not match, length of service parameter too low.
06090011 hex	Sub-index does not exist.
06090030 hex	Value range of parameter exceeded (only for write access)
06090031 hex	Value of parameter written too high
06090032 hex	Value of parameter written too low
06090036 hex	Maximum value is less than minimum value.
08000000 hex	General error
08000020 hex	Data cannot be transferred or stored to the application.
08000021 hex	Data cannot be transferred or stored to the application because of local control. ^{*1}
08000022 hex	Data cannot be transferred or stored to the application because of the present device state.
08000023 hex	Object dictionary dynamic generation fails or no object dictionary is present.

*1 In this status, the Slave Unit operates locally and the EtherCAT Master Unit is unable to control it.

5-6 EtherCAT Master Unit - Slave Unit Communications

This section explains the communication modes between the Master Unit and GX-series EtherCAT Slave Unit.

5-6-1 FREE RUN Mode

In the FREE RUN mode, a Slave Unit operates asynchronously with the EtherCAT Master Unit. The Digital I/O Slave Units and Analog I/O Slave Units operate in the FREE RUN mode.

Note that Slave Unit's internal processing time varies by the Slave Unit type, refer to the explanation on each Slave Unit in Chapter 7 to Chapter 8.

(Digital I/O Slave Units: ON delay, OFF delay, Analog I/O Slave Units: Cycle time)

To calculate the input and output response time* of the entire system, refer to the relevant values in the manual of the host system (EtherCAT Master or CPU Unit) to be used.

* This is the time which takes for an input signal from an Input Slave Unit to be processed by the PLC of the Master Unit and output to an Output Slave Unit.

5-6-2 DC Mode

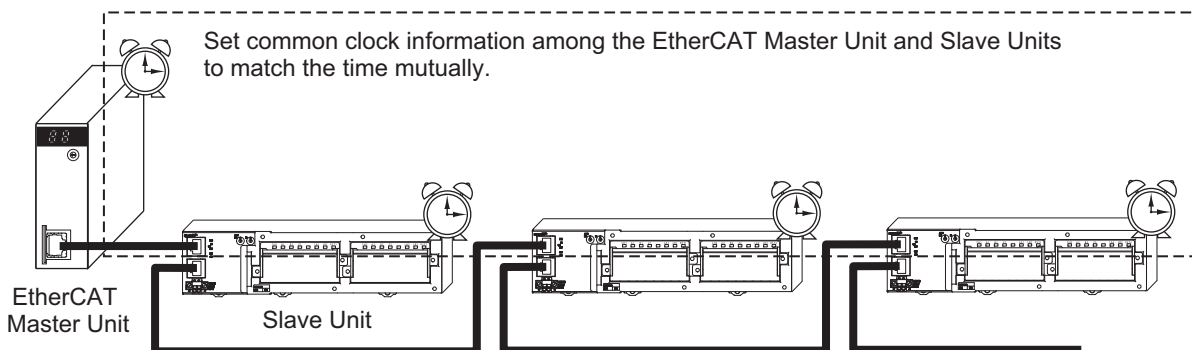
In the DC mode, a Slave Unit operates synchronously with the EtherCAT Master Unit.

A mechanism called distributed clock (DC), where the EtherCAT Master Unit and Slave Units share the same clock, is used for synchronization.

Each of DC mode-ready Slave Units connected to EtherCAT shares the clock information.

By generating interrupt signals and executing input/output processing inside each Slave Unit according to the clock, it becomes possible to synchronize the input/output timing with other Slave Units.

The DC mode supported by Encoder Input Slave Units is DC mode 1.



- **Communications cycle**

The communications cycle is determined by setting output frequency of Sync0 signal (interrupt signal in DC mode 1).

125 μ s, 250 μ s, 500 μ s, 1 ms, 2 ms, 4 ms

The settings are performed on the EtherCAT Master Unit side. For the setting method, refer to the manual of the EtherCAT Master Unit to be used.

5-7 Emergency Messages

GX-series EtherCAT Slave Units are able to notify emergency messages to the EtherCAT Master Unit by using the SDO communications if they detect errors.

5-7-1 Emergency Message Notification

It is possible to set whether or not to notify emergency messages via the SDO communications. Target indexes are sub-index 05 hex: (Flags) in 10F3 hex (Diagnostic History).

The setting values are shown in the table below.

Set value	Emergency message notification
0000 hex	Not notify.
0001 hex	Notify.

When the power to it is turned on, a Slave Unit always starts up in the "Not notify" setting. If you want to use a Slave Unit in the "Notify" setting, set it to "Notify" each time you turn on the power. Note that an emergency message cannot be sent during an EtherCAT communications errors are occurring.



Precautions for Correct Use

For unit version 1.0 of the GX-series Digital I/O Slaves, Analog I/O Slaves, and Encoder Input Slaves, the slaves will start when the slave power supply is turned ON and notification is enabled.

An emergency message is composed of 8-byte data as shown below.

Byte	0	1	2	3	4	5	6	7
Contents	Emergency error code		Error register (Object 1001 hex)	Reserved.	Sysmac error status code			

For contents of emergency message, refer to "12-1-5 Emergency Error Code" in page 12 - 19.
For contents of Sysmac error status codes, refer to "12-1-4 Sysmac Error Status Codes" in page 12 - 14.

5-7-2 Diagnosis History

Any GX-series EtherCAT Slave Unit other than the GX-ILM08C can save up to eight emergency messages in non-volatile memory inside the Slave Unit. The saved messages can be read with SDO communications.

Indexes to be read are sub-indexes 06 hex to 0D hex (Diagnosis messages 1 to 8) among 10F3 hex (Diagnosis History).

Diagnosis history is stored from Diagnosis message 1. If 8 errors are stored in order up to Diagnosis message 8, the 9th error onward are saved from Diagnosis message 1 again.

The GX-ILM08C can save a maximum of 64 error records in the error history. For details, refer to the *IO-Link System User's Manual* (Cat. No. W570).

History is saved even if emergency messages cannot be sent to the EtherCAT Master Unit due to EtherCAT communications errors or emergency messages are set to "Not notify."
Errors that occur for non-volatile memory are not saved in the diagnosis history.

5-8 Sysmac Device Functions

“Sysmac devices” is the generic name of control component products that were designed with communications and user interface specifications that are unified for OMRON control components. This functions of these procedures are called Sysmac device functions. This section describes functions that are available when you combine NJ/NX-series or other Machine Automation Controllers with the Automation Software. Starting with unit version 1.1, the GX-series Digital I/O Slaves, Analog I/O Slaves, and Encoder Input Slaves are Sysmac devices and support Sysmac device functions. Starting with unit version 1.0, the GX-series IO-Link Master Unit is a Sysmac device and supports Sysmac device functions.

● Sysmac error status

Slaves Units that are Sysmac devices systematically handle errors that occur in the Slave Unit. You can therefore use the Sysmac Studio to check errors and confirm corrections by using the same procedures for all Sysmac devices.

Errors are reported in 2002 hex-01 hex (Sysmac Error Status). To display errors that are detected by a Slave Unit on the Sysmac Studio, you must map 2002 hex-01 hex (Sysmac Error Status) to a PDO. In the Sysmac Studio default settings, 2002 hex-01 hex (Sysmac Error Status) is automatically mapped to a PDO in the 512th Transmit PDO Mapping (1BFF hex) assignments.



Reference

- Refer to "A-1-7 Manufacturer Specific Objects" in page A - 32 for information on 2002 hex-01 hex (Sysmac Error Status).
- Refer to "12-1-4 Sysmac Error Status Codes" in page 12 - 14 for errors that are displayed on the Sysmac Studio.

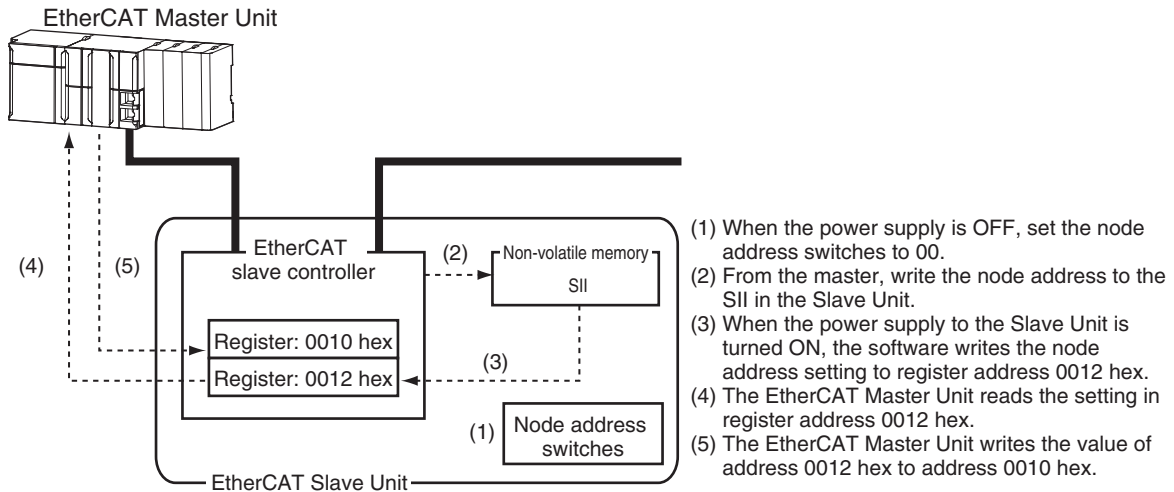
● **Saving node address settings**

If the node address switches are set to 00, the software setting is enabled and the node address that is set on the Sysmac Studio is used.

To use the software setting, execute the **Write Slave Node Address** menu command on the Edit Network Configuration Tab Page for EtherCAT. The software setting will be saved in non-volatile memory in the Slave Unit.

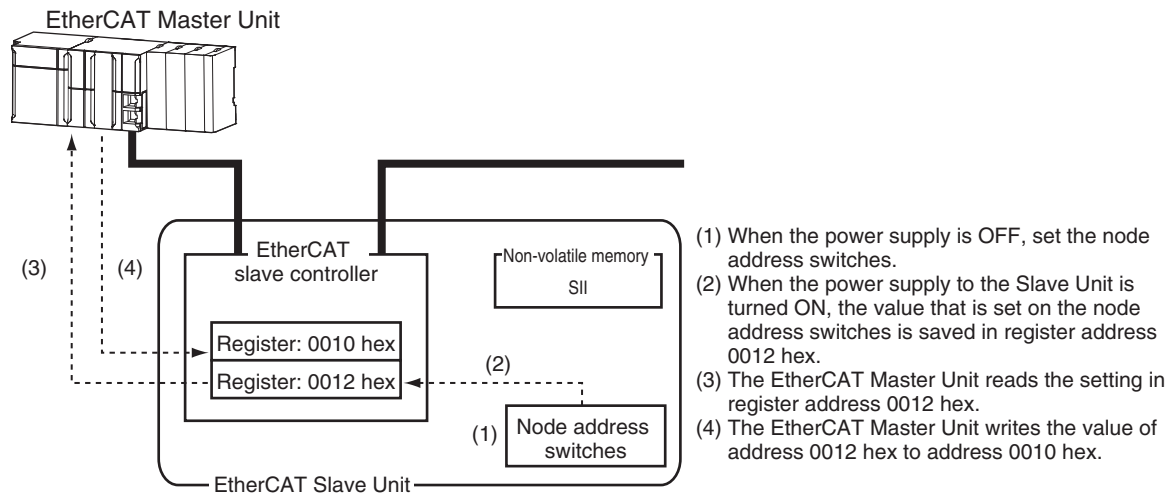
• Software setting

The software setting that is set in the SII (slave information interface) in non-volatile memory in the Slave Unit is used as the node address.



• Node address switch setting

The value that is set on the node address switches on the Slave Unit is used as the node address.



- **Displaying serial numbers**

The serial number that is stored in non-volatile memory in the Slave Unit is given in 1018 hex-04 hex (Serial number). Controllers that support Sysmac device functions can use serial numbers to verify the network configuration.

To verify the configuration, set the Serial Number Check Method parameter to *Setting = Actual device* on the Edit Network Configuration Tab Page for EtherCAT on the Sysmac Studio.

A Network Configuration Verification Error will occur if verification fails for the specified method.



Reference

This helps prevent forgetting to set the parameters because a slave device that was replaced is detected.

- **Conformance to ESI specifications (ETG.2000 S (R) V1.0.1)**

The ESI specifications define the contents of the EtherCAT slave information (ESI) files.

Controllers that support Sysmac device functions can use an optional function that is defined in the ESI specifications to specify backup parameters in the Slave Units.

You can back up and restore the backup parameters that are defined in the Slave Units from the Sysmac Studio.

- **SII data checking**

The SII (slave information interface) contains specific configuration information on the EtherCAT slave that is written in non-volatile memory in the EtherCAT Slave Unit.

EtherCAT Slave Units that are Sysmac devices check the information in the SII at the Slave Units.



Precautions for Correct Use

Do not change the SII information with setting software that is produced by other companies.

6

Basic Specifications of Slave Units

This chapter explains EtherCAT communication specifications, Slave Units performance specifications, and the specifications of common areas.

6-1	EtherCAT Communications Specifications	6-2
6-2	General Specifications	6-3
6-3	Specifications of Common Areas	6-4
6-3-1	Status Indicators	6-4
6-3-2	Node Address Setting Switches	6-6
6-3-3	Communications Connectors	6-8
6-3-4	Unit Power Supply Connector	6-11
6-3-5	I/O Power Supply Connector	6-13

6-1 EtherCAT Communications Specifications

This section provides the communications specifications of GX-series Digital I/O Slave Units, Analog I/O Slave Units, and Encoder Input Slave Units.

Refer to "10-4-1 Specifications" in page 10 - 9 for the EtherCAT communications specifications for the GX-ILM08C.

Item	Specification
Communication protocol	Dedicated protocol for EtherCAT
Modulation	Base band
Baud rate	100 Mbps
Physical layer	100BASE-TX (IEEE802.3)
Connectors	RJ45 × 2 (Shielded) CN IN: EtherCAT input CN OUT: EtherCAT output
Topology	Depends on the specifications of the EtherCAT master *1
Communications media	Category 5 or higher (cable with double, aluminum tape and braided shielding is recommended.)
Communications distance	Distance between nodes (Slave Units): 100 m max.
Noise immunity	Conforms to IEC 61000-4-4, 1 kV or higher
Node address setting method	Set on decimal node address switches or with a Configuration Tool.
Node address range	1 to 99: Node address switch setting 1 to 65535: Set with Configuration Tool
Indicator	PWR × 1 L/A IN (Link/Activity IN) × 1 L/A OUT (Link/Activity OUT) × 1 RUN × 1 ERR × 1
Process data	Fixed PDO mapping
PDO size/node	2 to 256 bytes
Mailbox	Emergency messages, SDO requests, SDO responses, and SDO information
SYNCHRONIZATION mode	Digital I/O Slave Unit and Analog I/O Slave Unit: Free Run mode (asynchronous) Encoder Input Slave Unit: DC mode 1

*1 The EtherCAT Remote I/O Terminal conforms to EtherCAT standards. Confirm the specifications of the connected EtherCAT master for the support topology. The EtherCAT Remote I/O Terminal with unit version 1.2 or later supports a ring topology.

6-2 General Specifications

This section provides the general specifications of GX-series Digital I/O Slave Units, Analog I/O Slave Units, and Encoder Input Slave Units.

Refer to "10-4-1 Specifications" in page 10 - 9 for the general specifications for the GX-ILM08C.

Item	Specification
Unit power supply voltage	20.4 to 26.4 VDC (24 VDC -15% to +10%)
I/O power supply voltage	20.4 to 26.4 VDC (24 VDC -15% to +10%)
Noise immunity	Conforms to IEC 61000-4-4, 2 kV (power line).
Vibration resistance	Malfunction 10 to 60 Hz with amplitude of 0.7 mm, 60 to 150Hz and 50 m/s ² in each of X, Y, and Z directions for 80 minutes <GX-OC1601 Relay Output Unit only> 10 to 55 Hz with double-amplitude of 0.7 mm in each of X, Y, and Z directions for 80 minutes
Shock resistance	150 m/s ² with amplitude of 0.7 mm <GX-OC1601 Relay Output Unit only> 100 m/s ² (3 times each in 6 directions on 3 axes)
Dielectric strength	600 VAC (between isolated circuits)
Insulation resistance	20 MΩ or more (between isolated circuits)
Ambient operating temperature	-10 to 55 °C
Ambient operating humidity	25% to 85% (with no condensation)
Ambient operating atmosphere	No corrosive gases
Storage temperature	-25 to 65 °C
Storage humidity	25% to 85% (with no condensation)
Terminal block screws tightening torque*	M3 wiring screws: 0.5 N • m M3 terminal block mounting screws: 0.5 N • m
Mounting method	35-mm DIN track mounting

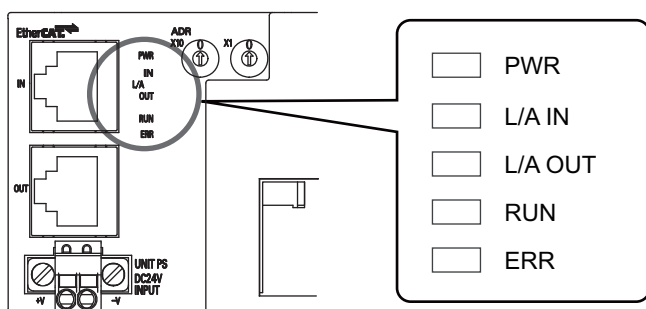
* Applicable only to 2-tier terminal block and 3-tier terminal block type Slave Units.

6-3 Specifications of Common Areas

This section explains the specifications of indicator, switches, and connectors commonly mounted in each Slave Unit.

6-3-1 Status Indicators

It indicates the current state of an EtherCAT Slave Unit.



[PWR] indicator

Indicates the unit power supply state.

Color	State	Contents
Green	OFF	Unit power OFF state
	ON	The unit power (24 VDC) is supplied to the Slave Unit.

[L/A IN] indicator

Indicates the communication state (input side).

Color	State	Contents
Green	OFF	Link not established in physical layer
	Flickering	In operation after establishing link
	ON	Link established in physical layer

[L/A OUT] indicator

Indicates the communication state (output side).

Color	State	Contents
Green	OFF	Link not established in physical layer
	Flickering	In operation after establishing link
	ON	Link established in physical layer

[RUN] indicator

It indicates the operation state.

Color	State	Contents
Green	OFF	Init state
	Blinking	Pre-Operational state
	Single flash	Safe-Operational state
	ON	Operational state

For details on each state, refer to "5-3 Communications State Transitions" in page 5 - 4.

[ERR] indicator

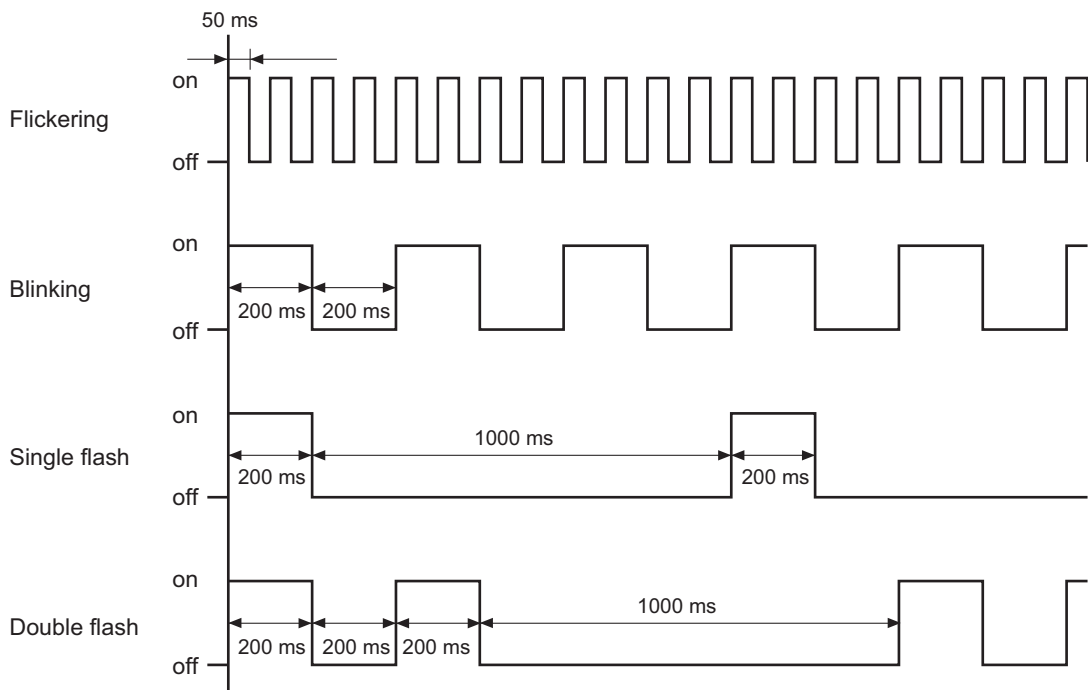
It indicates the information of an error.

Color	State	Contents
Red	OFF	No error
	Blinking	Communications setting error
	Single flash	Synchronization error or communications data error
	Double flash	Application WDT timeout
	Flickering	Boot error
	ON	PDI WDT timeout



Reference

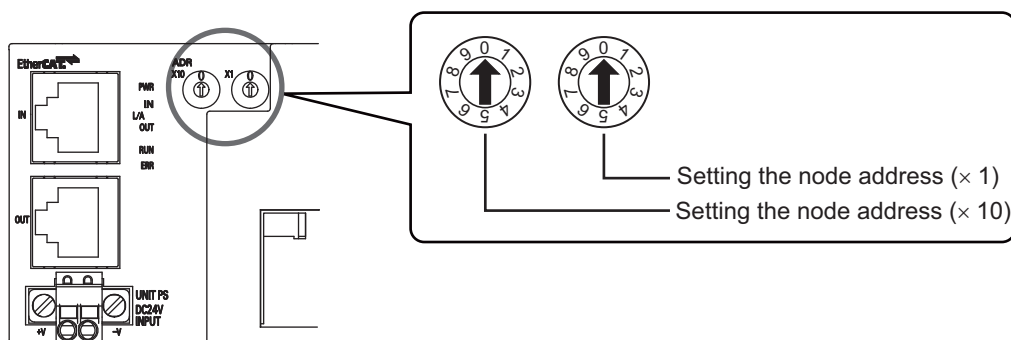
The timing of each flashing state of indicator is as follows.



6-3-2 Node Address Setting Switches

Digital I/O Slave Units, Analog I/O Slave Units, and Encoder Input Slave Units

These switches are used to set node addresses of Slave Units in the EtherCAT network (decimal). Set the tens digit of the node address on the left switch and the ones digit on the right switch. Setting range is 00 to 99. (Default setting: 00)



Note that the node address set values vary as shown below when the EtherCAT Master Unit is made by OMRON or by other manufacturers.

Node address switch setting	Set value for node address	
	OMRON EtherCAT Master Unit NJ501-1□00 or CJ1W-NC□82	EtherCAT Master Unit from another manufacturer
00	Set value according to Configuration Tool (Default setting: 0, Setting range: 1 to 65,535)	Set value according to Configuration Tool (settings by these switches are irrelevant)
01 to 99	Setting on node address switches	



Precautions for Correct Use

- The setting on the node address switches is read only once when the power is turned ON. Even if the settings are changed after turning the power supply ON, they are not reflected in the control. They become effective when the power supply is turned ON the next time.
- If node addresses overlap, an error occurs and the operation stops.
- If you set the node address switches to 00, the Slave Unit will not operate if the node address setting made from the Configuration Tool is not changed from 0 to another value. If the node address switches are set to 00, always use the Configuration Tool to change the node address to a value between 1 and 65,535.
- The code printed above the node address setting switches differs according to the unit version of the Digital I/O Slave Unit, Analog I/O Slave Unit, or Encoder Input Slave Unit, as shown below.

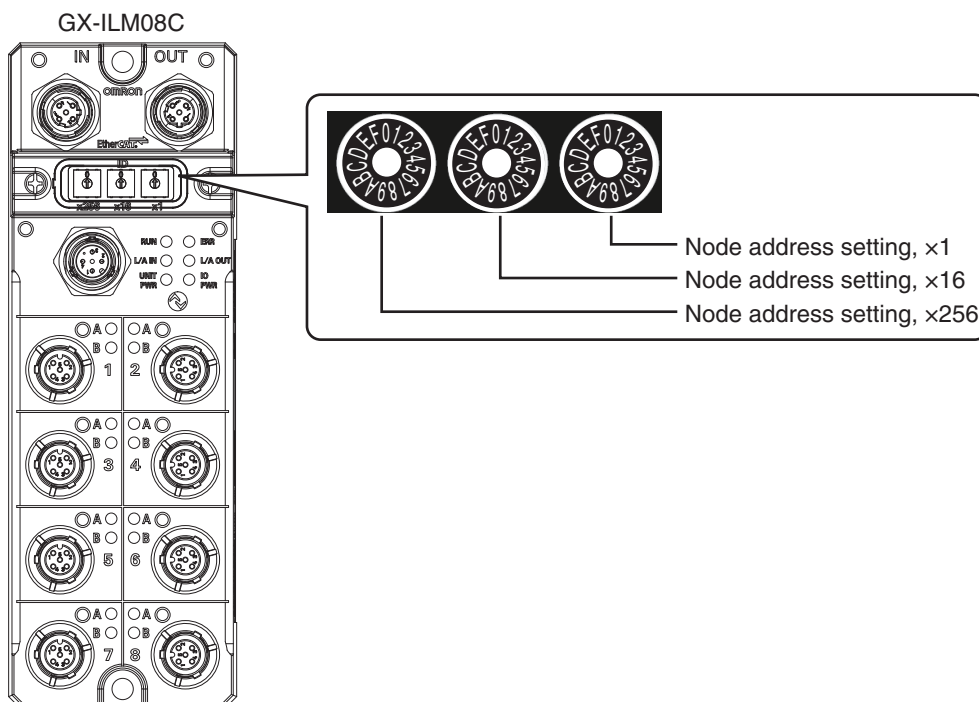
Unit version	Code
Version 1.1	ADR
Version 1.2 or later	ID

IO-Link Master Unit

The node address setting switches are used to set node address of the Slave Unit in the EtherCAT network as a hexadecimal value.

Set the hexadecimal value of the EtherCAT node address of the IO-Link Master Unit on the rotary switches in the following order starting from the rightmost switch: rightmost digit (x1), middle digit (x16), and leftmost digit (x256).

The setting range is from 000 to FFF hex (0 to 4,095 decimal). (Default setting: 000)



The valid node address set value varies as shown below when the EtherCAT Master Unit is made by OMRON or by another manufacturer.

Node address switch setting	Valid set value for node address	
	OMRON EtherCAT Master Unit	EtherCAT Master Unit from another manufacturer
000	Value set with Configuration Tool (Default setting: 0, Setting range: 1 to 65,535)	Value set with Configuration Tool (The setting on these switches is ignored.)
001 to FFF	Setting on node address switches on the Unit	



Precautions for Correct Use

- The setting on the node address switches is read only once when the power is turned ON. If the setting is changed after turning ON the power supply, it is not reflected in control. It becomes effective the next time the power supply is turned ON.
- If the same node address is allocated to more than one node, an error occurs and operation stops (for an OMRON EtherCAT Master Unit).
- If you set the node address switches to 000, the Slave Unit will not operate if the node address setting made from the Configuration Tool is not changed from 000 to another value. If the node address switches are set to 000, always use the Configuration Tool to change the node address to a value between 1 and 65,535. (This applies when an OMRON NJ/NX-series EtherCAT Master Unit is used. If a master manufactured by another company is used, the set value can be used as an ID.)

- The code printed above the node address setting switches differs according to the unit version of the IO-Link Master Unit, as shown below.

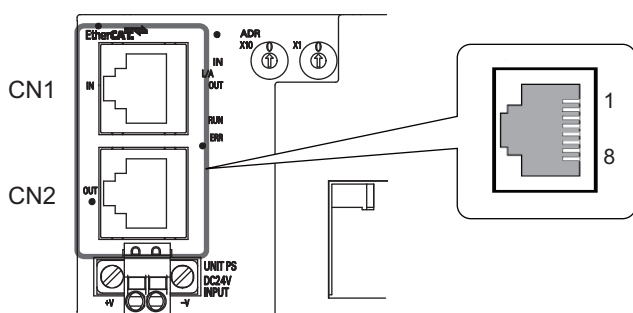
Unit version	Code
Version 1.0	NODE ADDRESS
Version 1.1 or later	ID

6-3-3 Communications Connectors

The Connectors are used to connect the communications cables.

Digital I/O Slave Units, Analog I/O Slave Units, and Encoder Input Slave Units

RJ45 connectors are used for the communications connectors as shown below.



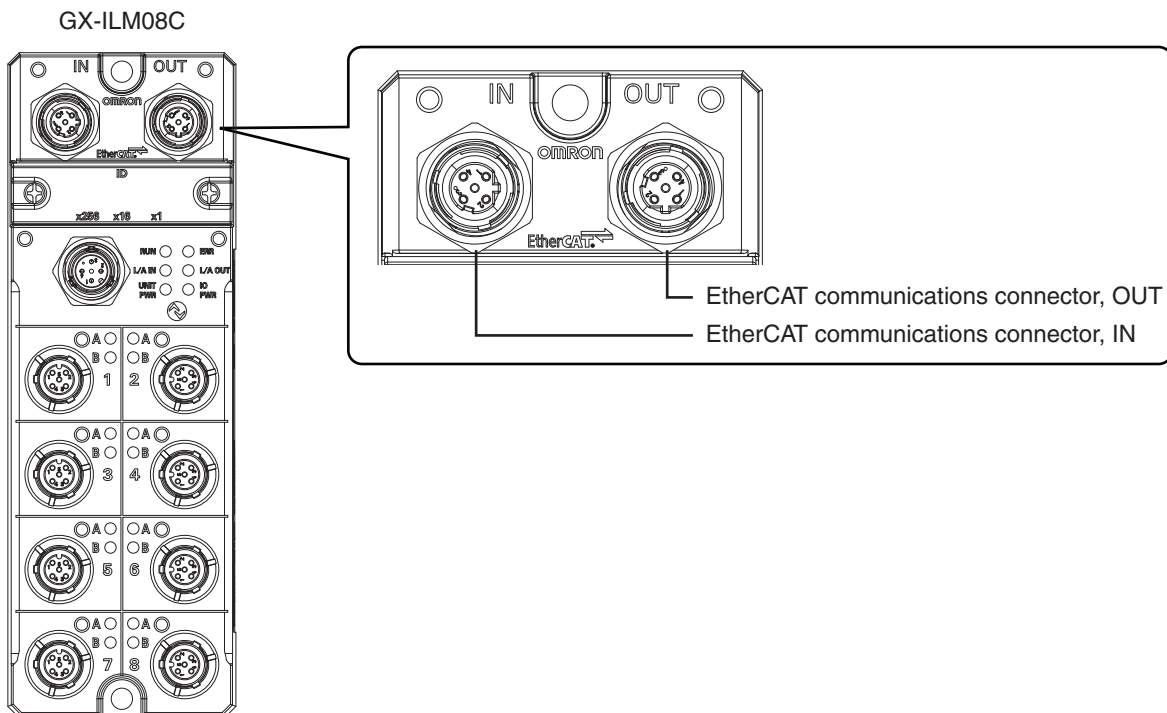
The specifications are shown below.

- Electrical characteristics: Conforms to the IEEE 802.3 standard.
- Connector structure: RJ45 8-pin modular connector (conforms to ISO 8877)
- Terminal arrangement

Pin No.	Signal name	Abbreviation
1	Send data +	TD +
2	Send data -	TD -
3	Receive data +	RD +
4	Not used	-
5	Not used	-
6	Receive data -	RD -
7	Not used	-
8	Not used	-
Hood	Frame ground	FG

IO-Link Master Unit

M12 connectors (D-coding, female) are used for the communications connectors as shown below.



The specifications are given below.

- Electrical specifications: Conform to IEEE 802.3 standards.
- Connector structure: M12 connectors (D-coding, female) x 2 (Both are shielded.)
- Terminal Arrangement

Pin No.	Signal	Abbreviation
1	Transmission data +	TD+
2	Reception data +	RD+
3	Transmission data -	TD-
4	Reception data -	RD-
Shield	---	FG

- Recommended Cables with Connectors

XS5□-T 4 2 □-□ M□-□□
(1) (2) (3)(4)(5) (6) (7) (8)

(1) Connector Model

H: Cable with Connector on One End

W: Cable with Connectors on Both Ends

(2) Type

T: Ethernet (mating section: M12, D coding)

(3) Number of Pins

4: 4 pins

(4) Contact Plating

2: Gold-plated, 0.4 μm

(5) Cable Connection Direction (M12 Connector)

1: Straight

2: Right-angle

(6) Cable Length

A: 0.3 m

B: 0.5 m

C: 1 m

D: 2 m

E: 3 m

G: 5 m

J: 10 m

K: 15 m

(7) Connectors

0: M12 plug on one end

1: M12 socket on one end and M12 plug on the other end

2: M12 plugs on both ends

C: M12 plug on one end and RJ45 plug on the other end

D: RJ45 plugs on both ends

E: M12 socket on one end and RJ45 plug on the other end

(8) Cable

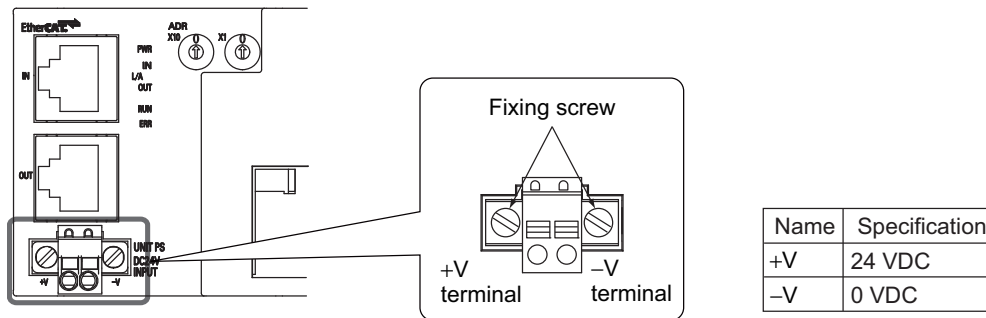
K: Standard cable

KR: Flexible cable

6-3-4 Unit Power Supply Connector

The Connector is used to connect the unit power supply (24 VDC).

Digital I/O Slave Units, Analog I/O Slave Units, and Encoder Input Slave Units



- Connector type: Spring connection connector with fixing screw (2-pin)
- Supported pin terminal diameter: 0.25 mm² to 0.5 mm²/AWG24 to AWG20
(Pin terminal with isolation sleeve used)

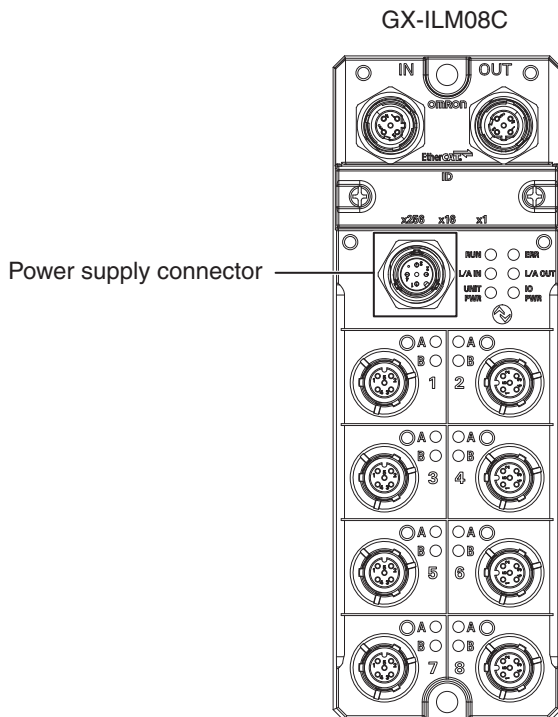
For types of recommended pin terminals, refer to "4-3-3 Connecting the Unit Power Supply" in page 4 - 9.

IO-Link Master Unit

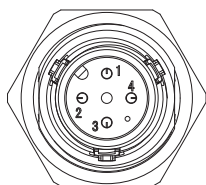
Supply the Unit power supply and the I/O power supply through the same power supply connector.

(Notes) Supply the Unit power supply and the I/O power supply from separate sources.

An M12 connector (A-coding, male) is used for the power supply connector.



● Power Supply Connector



Pin No.	Signal	Description
1	UNT_P+	Unit power supply +
2	UNT_P-	Unit power supply -
3	IO_P+	I/O power supply +
4	IO_P-	I/O power supply -

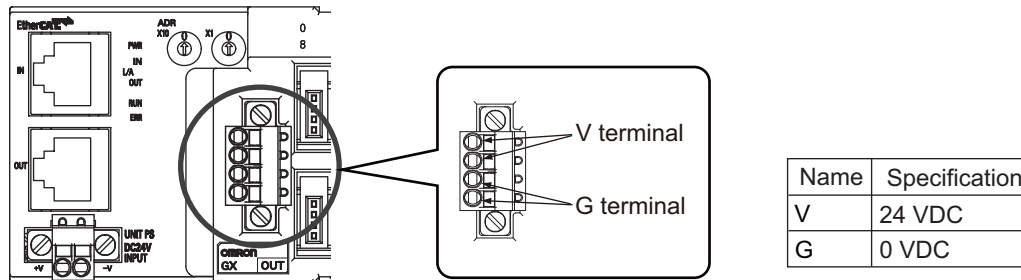
6-3-5 I/O Power Supply Connector

Connect I/O power supply for external device operation (24 VDC).

Digital I/O Slave Units, Analog I/O Slave Units, and Encoder Input Slave Units

The I/O power supply connector is mounted on the following type of Slave Unit with e-CON connector and output contacts.

GX-OD1618/OD1628/MD1618/MD1628/OD3218/OD3228/MD3218/MD3228



- Connector type: Spring connection connector with fixing screw (4-pin)
- Supported pin terminal diameter: 0.25 mm² to 0.5 mm²/AWG24 to AWG20 (Pin terminal with isolation sleeve used)

For types of recommended pin terminals, refer to "4-3-4 Connecting the I/O Power Supply" in page 4 - 11.

IO-Link Master Units

I/O power is supplied through the power supply connector. Refer to "6-3-4 Unit Power Supply Connector" in page 6 - 11.



Digital I/O Slave Unit

This chapter explains the overview of the Digital I/O Slave Unit.

7-1	Digital I/O Slave Unit	7-2
7-2	I/O Data Allocation (PDO Mapping)	7-3
7-2-1	Input Data Allocation	7-3
7-2-2	Output Data Allocation	7-5
7-3	Functions of Digital I/O Slave Units	7-7
7-3-1	Input Filter	7-7
7-3-2	Error Mode Output	7-8
7-4	Specifications for Each Slave Unit	7-9
7-4-1	2-tier Terminal Block Type 16-point Input Slave Unit GX-ID1611/ID1621	7-10
7-4-2	2-tier Terminal Block Type 16-point Output Slave Unit GX-OD1611/OD1621	7-14
7-4-3	2-tier Terminal Block Relay Type 16-point Output Slave Unit GX-OC1601	7-18
7-4-4	2-tier Terminal Block Type 8-point Input and 8-point Output Slave Unit GX-MD1611/MD1621	7-22
7-4-5	3-tier Terminal Block Type 16-point Input Slave Unit GX-ID1612/ID1622	7-28
7-4-6	3-tier Terminal Block Type 16-point Output Slave Unit GX-OD1612/OD1622	7-33
7-4-7	3-tier Terminal Block Type 8-point Input and 8-point Output Slave Unit GX-MD1612/MD1622	7-38
7-4-8	e-CON Connector Type 16-point Input Slave Unit GX-ID1618/ID1628	7-44
7-4-9	e-CON Connector Type 16-point Output Slave Unit GX-OD1618/OD1628	7-48
7-4-10	e-CON Connector Type 8-point Input and 8-point Output Slave Unit GX-MD1618/MD1628	7-53
7-4-11	e-CON Connector Type 32-point Input Slave Unit GX-ID3218/ID3228	7-59
7-4-12	e-CON Connector Type 32-point Output Slave Unit GX-OD3218/OD3228	7-64
7-4-13	e-CON Connector Type 16-point Input and 16-point Output Slave Unit GX-MD3218/MD3228	7-69
7-5	Mounting Dimensions	7-75
7-5-1	2-tier Terminal Block Type	7-75
7-5-2	3-tier Terminal Block Type	7-76
7-5-3	e-CON Connector Type	7-77

7-1 Digital I/O Slave Unit

Digital I/O Slave Units refer to slaves with processing functions for digital I/O data (ON/OFF signals). Moreover, this Slave Unit has the input filter function (input only) and the output setting function at communications error (output only).

7-2 I/O Data Allocation (PDO Mapping)

I/O data of Digital I/O Slave Units are allocated to the input/output areas of the I/O memory of the EtherCAT Master Unit, respectively.

For the detailed explanation of allocation method, refer to the manual of EtherCAT Master Unit to be connected.

7-2-1 Input Data Allocation

The input data for a Digital I/O Slave Unit consists of the input data for the Slave Unit and the input data for the Expansion Unit (when one is mounted). You can also assign the Sysmac error status. *1 The input data is assigned in this order in byte increments.

*1 Unit version 1.1 or later only.

Input data allocation example

● 8-point Input Slave Unit

Offset (byte)	7 bit	0 bit
0	Input data of the Slave Unit (7 to 0 bit)	
+1	Reserved	

● 16-point Input Slave Unit

Offset (byte)	7 bit	0 bit
0	Input data of the Slave Unit (7 to 0 bit)	
+1	Input data of the Slave Unit (15 to 8 bit)	

● 32-point Input Slave Unit

Offset (byte)	7 bit	0 bit
0	Input data of the Slave Unit (7 to 0 bit)	
+1	Input data of the Slave Unit (15 to 8 bit)	
+2	Input data of the Slave Unit (23 to 16 bit)	
+3	Input data of the Slave Unit (31 to 24 bit)	

● 8-point Expansion Unit

Offset (byte)	7 bit	0 bit
0	Input data of the Expansion Unit (7 to 0 bit)	
+1	Reserved	

● **16-point Expansion Unit**

Offset (byte)	7 bit	0 bit
0	Input data of the Expansion Unit (7 to 0 bit)	
+1	Input data of the Expansion Unit (15 to 8 bit)	

● **16-point Input Slave Unit and 8-point Expansion Unit**

Offset (byte)	7 bit	0 bit
0	Input data of the Slave Unit (7 to 0 bit)	
+1	Input data of the Slave Unit (15 to 8 bit)	
+2	Input data of the Expansion Unit (7 to 0 bit)	
+3	Reserved	

● **16-point Input Slave Unit and 16-point Expansion Unit**

Offset (byte)	7 bit	0 bit
0	Input data of the Slave Unit (7 to 0 bit)	
+1	Input data of the Slave Unit (15 to 8 bit)	
+2	Input data of the Expansion Unit (7 to 0 bit)	
+3	Input data of the Expansion Unit (15 to 8 bit)	

● **16-point Input Slave Unit and Sysmac error status**

Offset (byte)	7 bit	0 bit
0	Input data of the Slave Unit (7 to 0 bit)	
+1	Input data of the Slave Unit (15 to 8 bit)	
+2	Sysmac error status (23 to 16 bit)	

● **16-point Input Slave Unit, 16-point Expansion Unit, and Sysmac error status**

Offset (byte)	7 bit	0 bit
0	Input data of the Slave Unit (7 to 0 bit)	
+1	Input data of the Slave Unit (15 to 8 bit)	
+2	Input data of the Expansion Unit (23 to 16 bit)	
+3	Input data of the Expansion Unit (31 to 24 bit)	
	Sysmac error status (39 to 32 bit)	

- Sysmac error status

Offset (byte)	7 bit	0 bit
0	Sysmac error status (7 to 0 bit)	

7-2-2 Output Data Allocation

Output data of Digital I/O Slave Units consists of 2 types: Output data of the Slave Unit and output data of Expansion Unit (if mounted). The data is allocated in this order in units of bytes.

Output data allocation example

- 8-point Output Slave Unit

Offset (byte)	7 bit	0 bit
0	Output data of the Slave Unit (7 to 0 bit)	
+1	Reserved	

- 16-point Output Slave Unit

Offset (byte)	7 bit	0 bit
0	Output data of the Slave Unit (7 to 0 bit)	
+1	Output data of the Slave Unit (15 to 8 bit)	

- 32-point Output Slave Unit

Offset (byte)	7 bit	0 bit
0	Output data of the Slave Unit (7 to 0 bit)	
+1	Output data of the Slave Unit (15 to 8 bit)	
+2	Output data of the Slave Unit (23 to 16 bit)	
+3	Output data of the Slave Unit (31 to 24 bit)	

- 8-point Expansion Unit

Offset (byte)	7 bit	0 bit
0	Output data of the Expansion Unit (7 to 0 bit)	
+1	Reserved	

● **16-point Expansion Unit**

Offset (byte)	7 bit	0 bit
0	Output data of the Expansion Unit (7 to 0 bit)	
+1	Output data of the Expansion Unit (15 to 8 bit)	

● **16-point Output Slave Unit and 8-point Expansion Unit**

Offset (byte)	7 bit	0 bit
0	Output data of the Slave Unit (7 to 0 bit)	
+1	Output data of the Slave Unit (15 to 8 bit)	
+2	Output data of the Expansion Unit (7 to 0 bit)	
+3	Reserved	

● **16-point Output Slave Unit and 16-point Expansion Unit**

Offset (byte)	7 bit	0 bit
0	Output data of the Slave Unit (7 to 0 bit)	
+1	Output data of the Slave Unit (15 to 8 bit)	
+2	Output data of the Expansion Unit (7 to 0 bit)	
+3	Output data of the Expansion Unit (15 to 8 bit)	

7-3 Functions of Digital I/O Slave Units

Digital I/O Slave Units have the following convenient functions, in addition to the I/O signal processing.

7-3-1 Input Filter

Overview of functions

- **Purpose**

This function prevents data changes and unstable data, which may be caused by fluctuation of input data and unstable contact state due to chattering and noise.

- **Applicable Slave Unit**

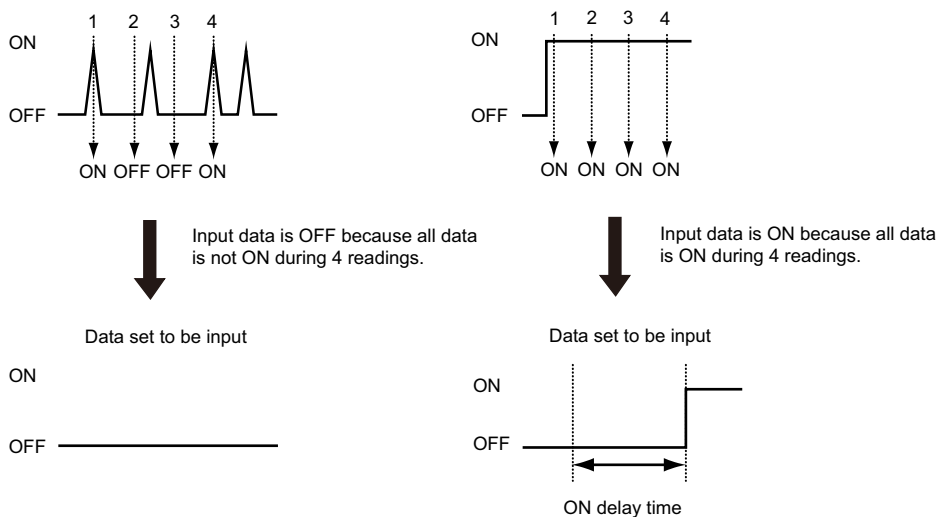
Slave Units with digital inputs and Expansion Units (GX-IDxxxx, input section of GX-MDxxxx, XWT-IDxx (-1))

- **Details of functions**

This function reads inputs (ON/OFF) within a certain set time and turn ON the inputs if they are all same (all ON or all OFF), and turn them OFF if not.

Note that this function works for all inputs of Slave Units and Expansion Units at the same time.

When the input shifts from OFF to ON (or ON to OFF), it is read 4 times from that point at an interval of 1/4 of the set time. When all read results are ON (or OFF), the input is turned ON (or OFF).



The settable time of reading is 0 ms, 0.5 ms, 1 ms (default set value), 2 ms, 4 ms, 8 ms, 16 ms, or 32 ms.

Note that when this function is used, the timing when the contact actually turns ON (or OFF) is delayed for the set time (ON delay time).

The ON delay time is expressed by "input delay time (time required to read input) + input filter time." Moreover, if the input filter is used for the Expansion Units as well, the ON delay time becomes longer because the input delay time is longer than when only Slave Unit is used.

Setting method

The settings are made using the SDO communication.

The target index is 3000 hex.

For the set values, refer to the information in the corresponding index of "Appendix A-1 Object Dictionary" in Page A - 34.

7-3-2 Error Mode Output

Overview of functions

● Purpose

This function provides selection whether to hold or clear the outputs if signals from the EtherCAT Master Unit cannot be received any longer due to communications errors.

● Applicable Slave Unit

Slave Units with digital outputs and Expansion Units (GX-ODxxxx, GX-OC1601, output section of GX-MDxxxx, XWT-ODxx (-1))

● Details of functions

Sets whether to hold or clear the output at communications errors.

It is possible to make setting for each contact. (Default setting: Clear all outputs)

Setting method

The settings are made using the SDO communication.

The target index is set as follows according to the number of outputs of a single Slave Unit (including Expansion Units mounted).

Total output capacity	Output Unit capacity	Expansion Unit Output capacity	Applicable index
8 points	8 points	–	6306 hex
	–	8 points	
16 points	16 points	–	
	–	16 points	
24 points	16 points	8 points	6326 hex
32 points	16 points	16 points	
	32 points	–	

For the set value, refer to the information of the corresponding index of "Appendix A-1 Object Dictionary" in Page A - 40.

7-4 Specifications for Each Slave Unit

This section shows the specification of Digital I/O Slave Units, names and functions of each part, internal circuit diagram, and wiring diagram.

Refer to the following corresponding page to each model.

Type	Model	Reference page			
		Specification	Names and functions	Internal circuits diagram	Wiring diagram
2-tier terminal block type	GX-ID1611 GX-ID1621	7-10	7-11	7-12	7-13
	GX-OD1611 GX-OD1621	7-14	7-15	7-16	7-17
	GX-OC1601	7-18	7-19	7-21	7-21
	GX-MD1611 GX-MD1621	7-22	7-24	7-25	7-26
	GX-ID1612 GX-ID1622	7-28	7-29	7-30	7-31
3-tier terminal block type	GX-OD1612 GX-OD1622	7-33	7-34	7-35	7-36
	GX-MD1612 GX-MD1622	7-38	7-40	7-41	7-42
	GX-ID1618 GX-ID1628	7-44	7-45	7-46	7-47
e-CON connector type	GX-OD1618 GX-OD1628	7-48	7-49	7-50	7-51
	GX-MD1618 GX-MD1628	7-53	7-55	7-56	7-57
	GX-ID3218 GX-ID3228	7-59	7-60	7-62	7-63
	GX-OD3218 GX-OD3228	7-64	7-65	7-66	7-67
	GX-MD3218 GX-MD3228	7-69	7-71	7-72	7-73

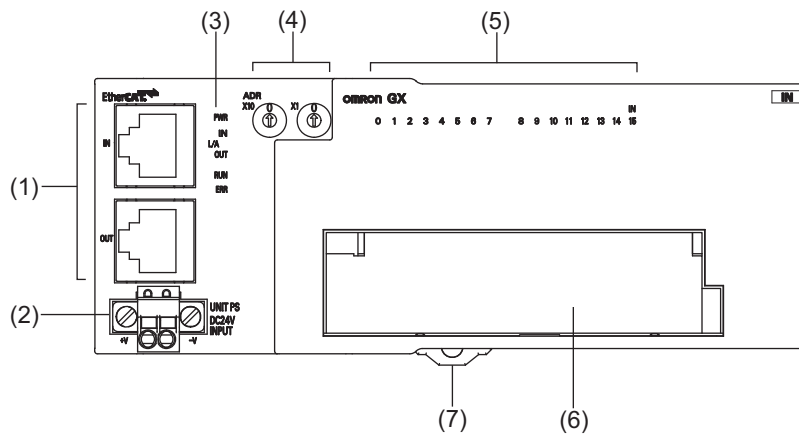
7-4-1 2-tier Terminal Block Type 16-point Input Slave Unit GX-ID1611/ID1621

Specification

Item	Specification	
	GX-ID1611	GX-ID1621
Input capacity	16 points	
Internal I/O common	NPN	PNP
ON voltage	15 VDC min. (between each input terminal and the V terminal)	15 VDC min. (between each input terminal and the G terminal)
OFF voltage	5 VDC max. (between each input terminal and the V terminal)	5 VDC max. (between each input terminal and the G terminal)
OFF current	1.0 mA max.	
Input current	6.0 mA max./input (at 24-VDC) 3.0 mA max./input (at 17-VDC)	
ON delay	0.1 ms max.	
OFF delay	0.2 ms max.	
Input filter value	Without filter, 0.5 ms, 1 ms, 2 ms, 4 ms, 8 ms, 16 ms, 32 ms (Default setting: 1 ms)	
Number of circuits per common	16 inputs/common	
Input indicators	LED display (yellow)	
Isolation method	Photocoupler isolation	
I/O power supply method	Supply by I/O power supply	
Unit power supply current consumption	90 mA max. (for 20.4 to 26.4-VDC power supply voltage)	
I/O power supply current consumption	10 mA max. (for 20.4 to 26.4-VDC power supply voltage)	
Weight	180 g max.	
Expansion functions	Enabled	
Short-circuit protection function	No	

Notes For the I/O power supply current value to V and G terminals, refer to "A-5 I/O Power Supply Current" in Page A - 79.

Names and functions



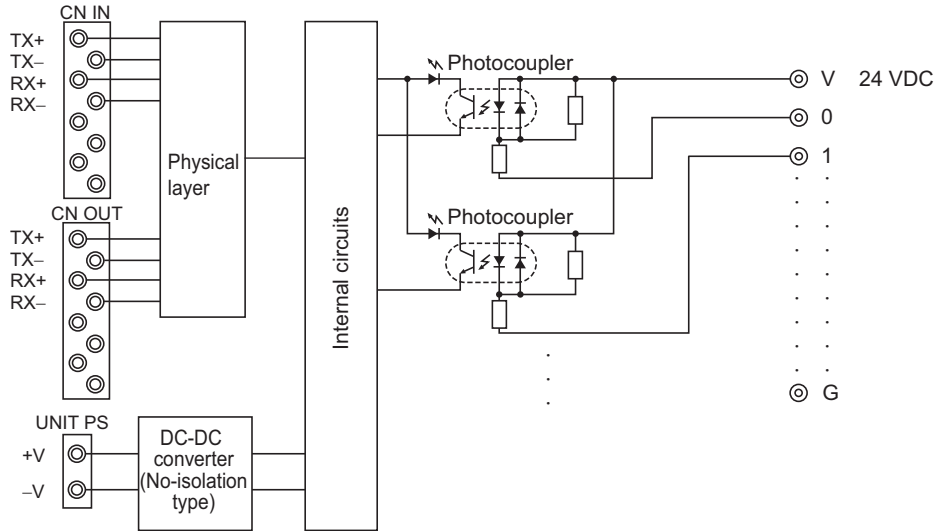
● Terminal arrangement diagram



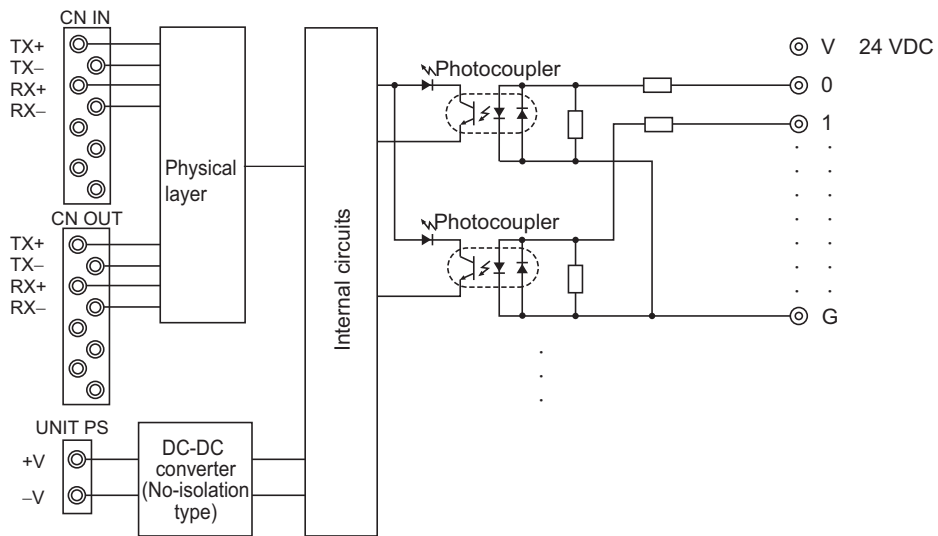
No.	Name	Function
(1)	Communications connectors	Refer to "6-3 Specifications of Common Areas" in Page 6 - 4.
(2)	Unit power supply connector	
(3)	Status indicators	
(4)	Node Address setting Switches	
(5)	Input indicators (0 to 15)	Indicates the state of an input contact (ON/OFF). Not lit: Contact OFF (input OFF state) Lit in yellow: Contact ON (input ON state)
(6)	Terminal block	Connects external devices and the I/O power supply. V, G: I/O power supply terminals 0 to 15: Input terminals
(7)	DIN track mounting hook	Fixes a Slave Unit to a DIN track.

Internal circuits diagram

● GX-ID1611 (NPN)

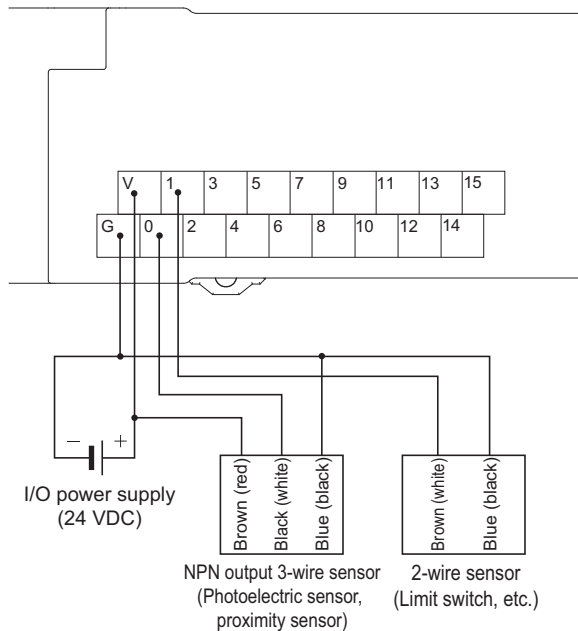


● GX-ID1621 (PNP)

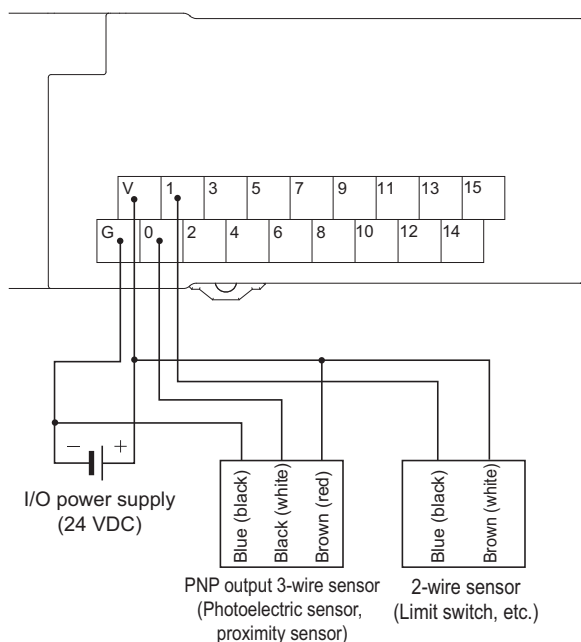


Wiring diagram

● GX-ID1611 (NPN)



● GX-ID1621 (PNP)



Reference

Wire colors have been changed according to revisions in the JIS standards for photoelectric and proximity sensors. The colors in parentheses are the wire colors prior to the revisions.

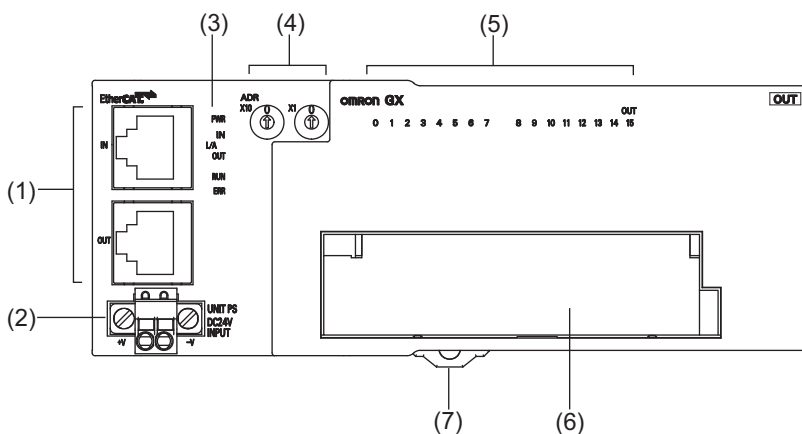
7-4-2 2-tier Terminal Block Type 16-point Output Slave Unit GX-OD1611/OD1621

Specification

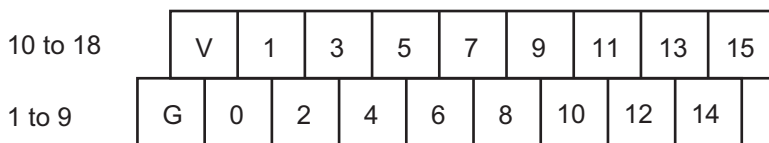
Item	Specification	
	GX-OD1611	GX-OD1621
Output capacity	16 points	
Rated current (ON current)	0.5 A/output, 4.0 A/common	
Internal I/O common	NPN	PNP
Residual voltage	1.2 V max. (0.5 ADC, between each output terminal and the G terminal)	1.2 V max. (0.5 ADC, between each output terminal and the V terminal)
Leakage current	0.1 mA max.	
ON delay	0.5 ms max.	
OFF delay	1.5 ms max.	
Number of circuits per common	16 points/common	
Output indicators	LED display (yellow)	
Isolation method	Photocoupler isolation	
I/O power supply method	Supply by I/O power supply	
Unit power supply current consumption	90 mA max. (for 20.4 to 26.4-VDC power supply voltage)	
I/O power supply current consumption	10 mA max. (for 20.4 to 26.4-VDC power supply voltage)	
Weight	180 g max.	
Expansion functions	Enabled	
Error Mode Output	Select either hold or clear.	
Short-circuit protection function	No	

Notes For the I/O power supply current value to V and G terminals, refer to "A-5 I/O Power Supply Current" in Page A - 79.

Names and functions



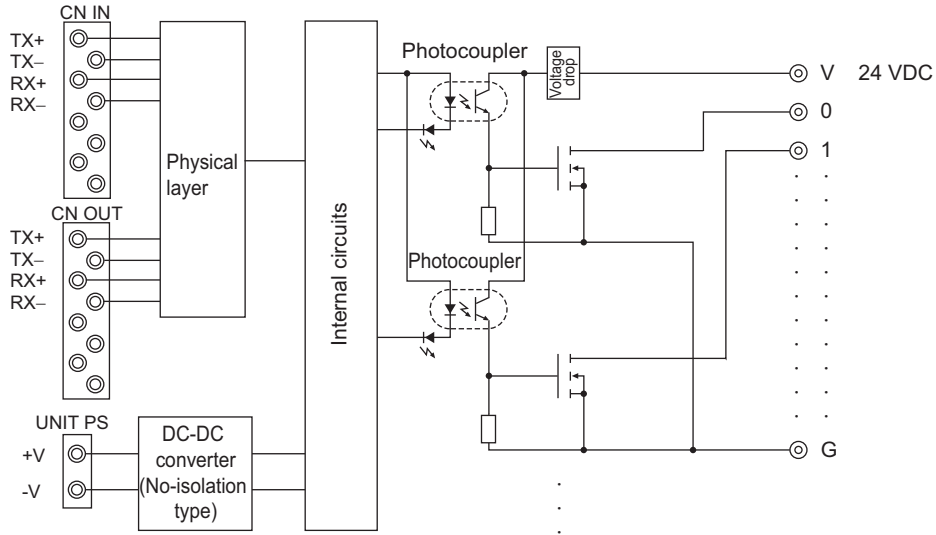
● Terminal arrangement diagram



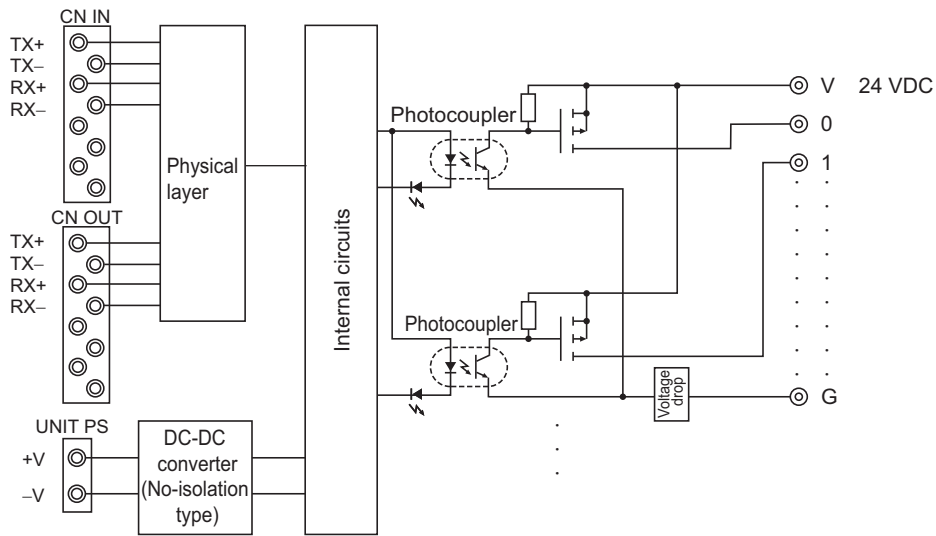
No.	Name	Function
(1)	Communications connectors	Refer to "6-3 Specifications of Common Areas" in Page 6 - 4.
(2)	Unit power supply connector	
(3)	Status indicators	
(4)	Node Address setting Switches	
(5)	Output indicators (0 to 15)	Indicates the state of an output contact (ON/OFF). Not lit: Contact OFF (output OFF state) Lit in yellow: Contact ON (output ON state)
(6)	Terminal block	Connects external devices and the I/O power supply. V, G: I/O power supply terminals 0 to 15: Output terminals
(7)	DIN track mounting hook	Fixes a Slave Unit to a DIN track.

Internal circuits diagram

● GX-OD1611 (NPN)

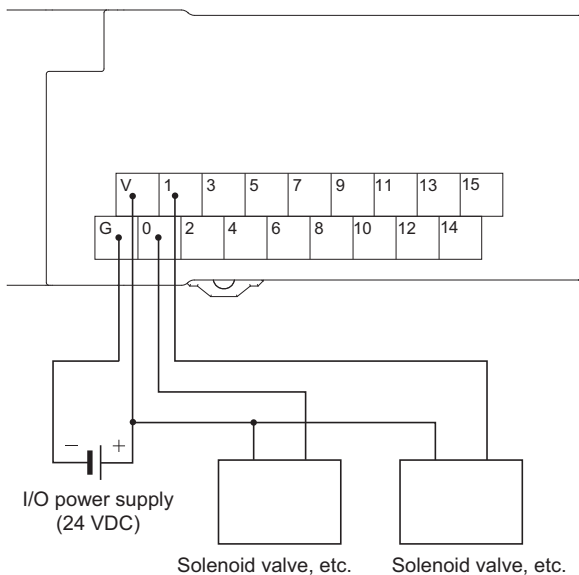


● GX-OD1621 (PNP)

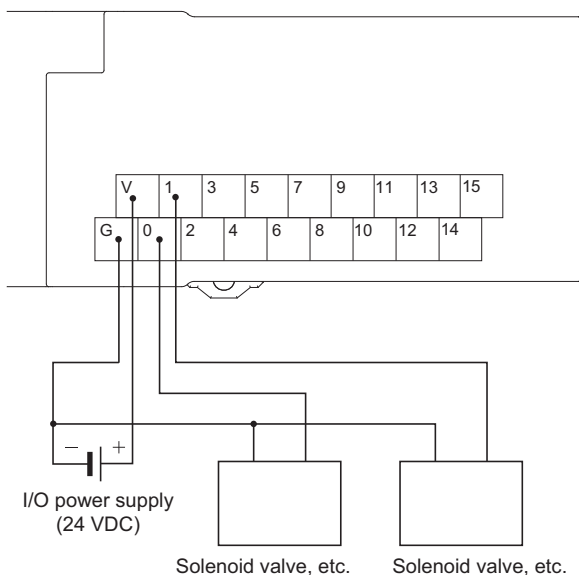


Wiring diagram

● GX-OD1611 (NPN)



● GX-OD1621 (PNP)



Precautions for Correct Use

When using an inductive load, such as a solenoid valve, either use a built-in diode for absorbing the counterelectromotive force or install an external diode. (Refer to "A-4 Wiring External Output Signal Lines" in Page A - 78.)

7-4-3 2-tier Terminal Block Relay Type 16-point Output Slave Unit GX-OC1601

Specification

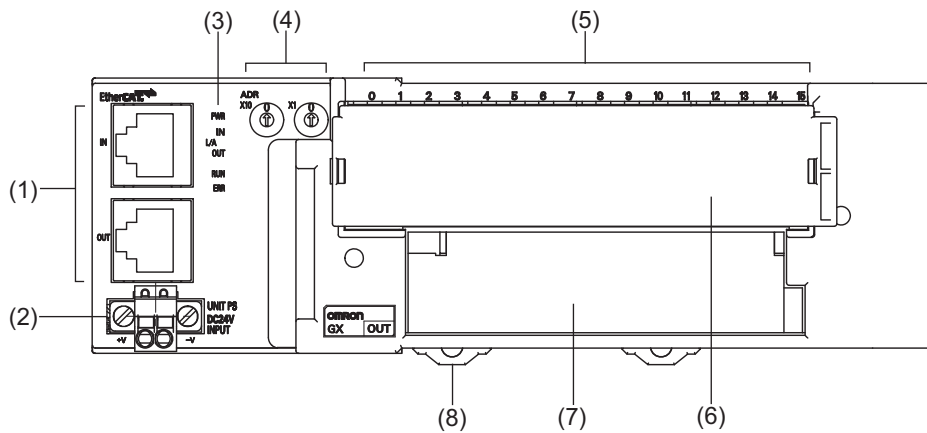
Item	Specification
Output capacity	16 points
Mounted relays	DRTA-NY5W-K
Rated load	Resistance load 250 VAC 2 A/output, common 8 A 30 VDC 2 A/output, common 8 A
Rated ON current	3 A/output
Maximum contact voltage	250 VAC, 125 VDC
Maximum contact current	3 A/output
Maximum switching capacity	750 VAAC, 90 WDC
Minimum applicable load (reference value)	5 VDC 1mA
Mechanical service life	20,000,000 operations min.
Electrical service life	100,000 operations min.
Number of circuits per common	8 points/common
Output indicators	LED display (yellow)
Isolation method	Relay isolation
I/O power supply method	The relay drive power is supplied from the unit power supply.
Unit power supply current consumption	210 mA max. (for 20.4 to 26.4-VDC power supply voltage)
Weight	290 g max.
Expansion functions	Enabled
Error Mode Output	Select either hold or clear.
Short-circuit protection function	No



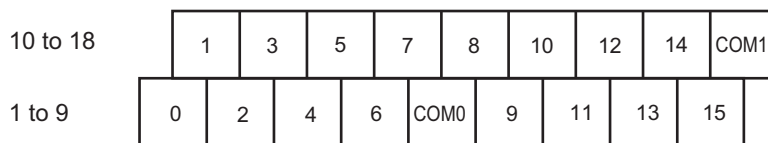
Precautions for Correct Use

- With a current of between 2 and 3 A (8 to 10 A per common), either ensure that the number of points per common that simultaneously turn ON does not exceed 4 or ensure that the ambient temperature does not exceed 45°C. There are no restrictions if the current does not exceed 2 A (8 A per common).
- The rated current is the value for assuring normal operation, but not for assuring durability of the relays. The relay service life depends greatly on factors such as the operating temperature, the type of load, and switching conditions. The actual relay must be checked under actual operating conditions.

Names and functions



● Terminal arrangement diagram



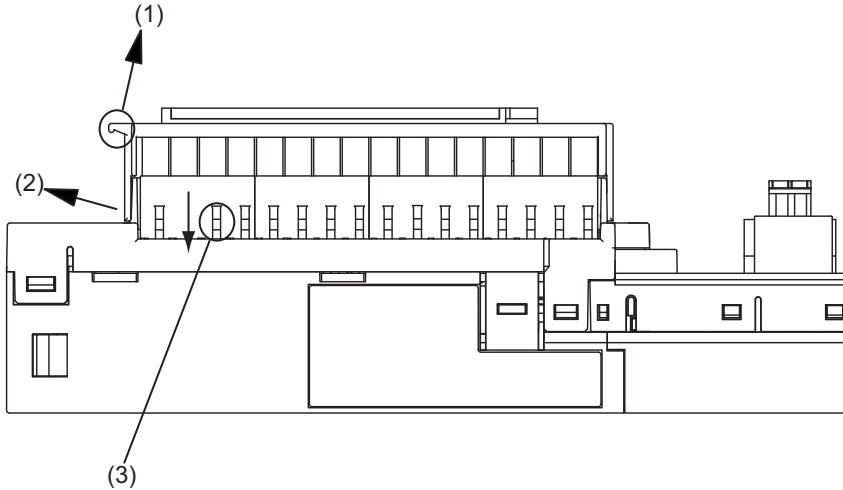
No.	Name	Function
(1)	Communications connectors	Refer to "6-3 Specifications of Common Areas" in Page 6 - 4.
(2)	Unit power supply connector	
(3)	Status indicators	
(4)	Node Address setting Switches	
(5)	Output indicators (0 to 15)	Indicates the state of an output contact (ON/OFF). Not lit: Contact OFF (output OFF state) Lit in yellow: Contact ON (output ON state)
(6)	Output relay	Switches a contact.
(7)	Terminal block	Connects external devices and the I/O power supply. COM0, COM1: Common terminals 0 to 15: Output terminals
(8)	DIN track mounting hook	Fixes a Slave Unit to a DIN track.



Reference

Replacing relays

To replace output section relays, first remove the cover using the following procedure.



- (1) Grab the handle with a finger and bend it upward.
- (2) The side deflects in the direction of the arrow and the hook is removed.
- (3) Press down the relay socket lever in the arrow direction using a driver and so on. The relay pops up from the socket and can be removed.

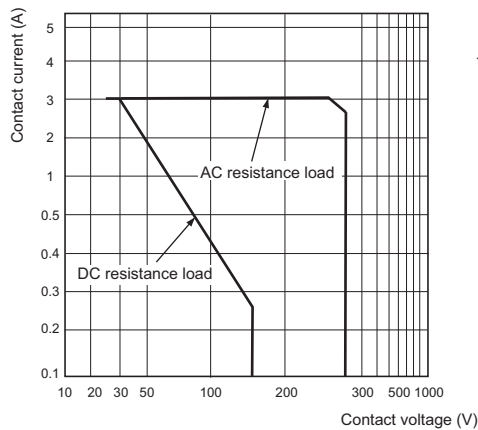


Reference

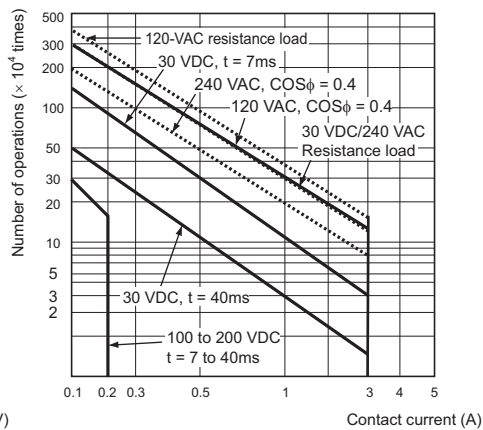
Relay actual measurement data

The graphs below show the actual measurement values of relay characteristics sampled from the production lines. There is some variation in relay characteristics, so use this data for reference only.

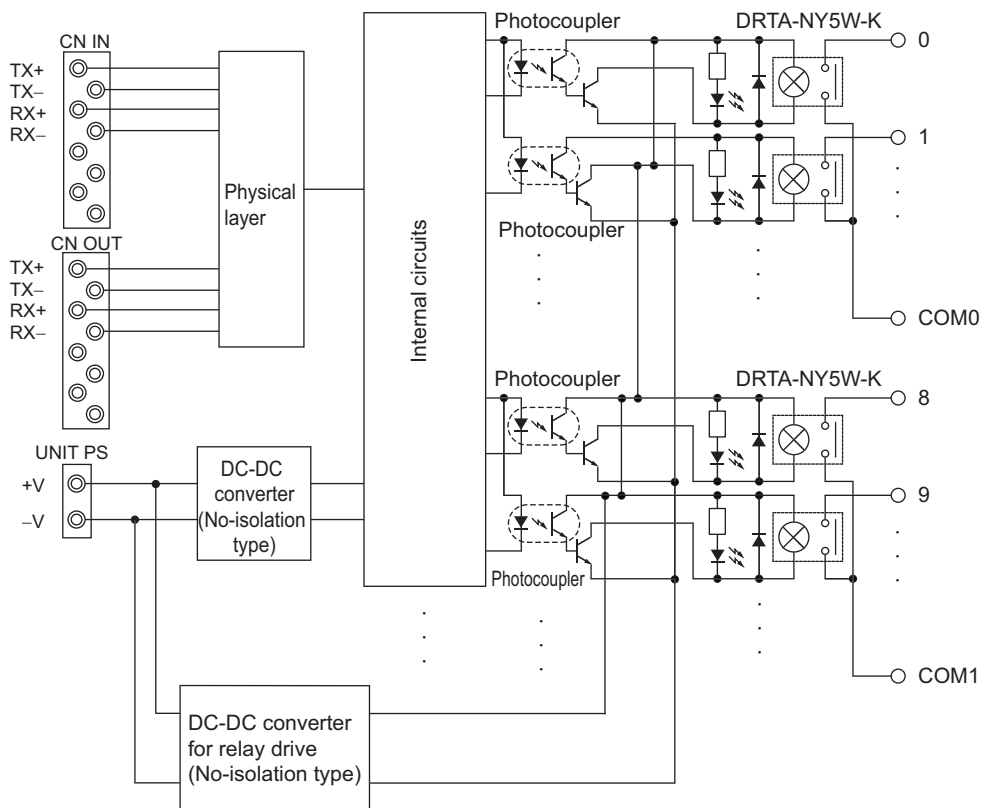
● Maximum switching capacity



● Durability curve



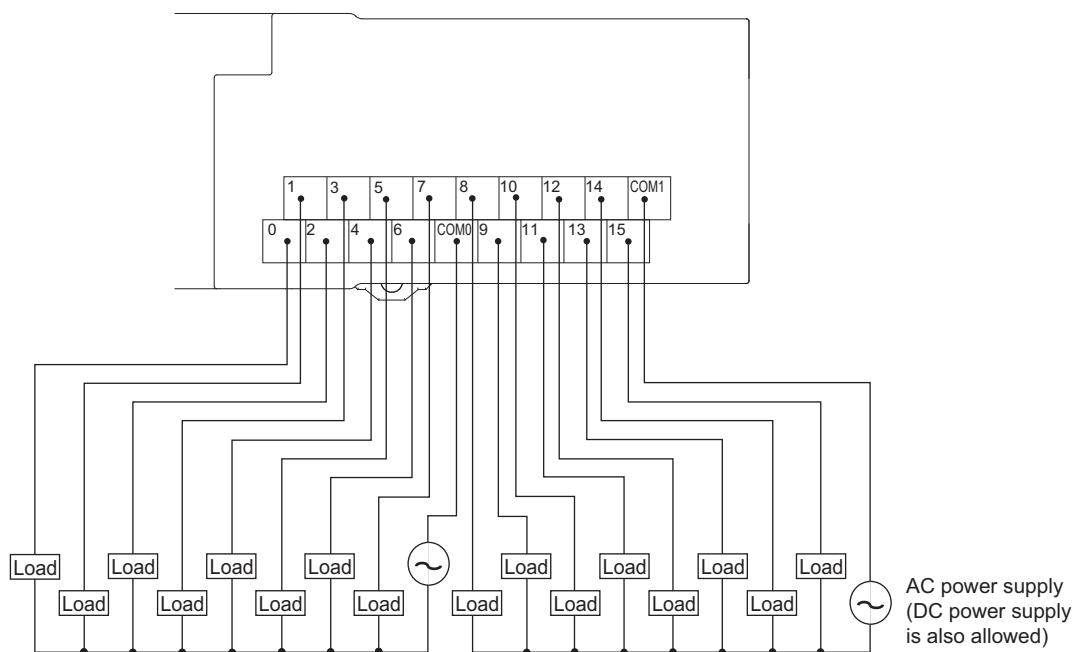
Internal circuits diagram



7-4 Specifications for Each Slave Unit

7

Wiring diagram



7-4-3 2-tier Terminal Block Relay Type 16-point Output Slave Unit GX-OC1601

7-4-4 2-tier Terminal Block Type 8-point Input and 8-point Output Slave Unit GX-MD1611/MD1621

Specification

● Common to input section and output section

Item	Specification	
	GX-MD1611	GX-MD1621
Internal I/O common	NPN	PNP
I/O indicators	LED display (yellow)	
Unit power supply current consumption	80 mA max. (for 20.4 to 26.4-VDC power supply voltage)	
Weight	190 g max.	
Expansion functions	No	
Short-circuit protection function	No	

● Input section

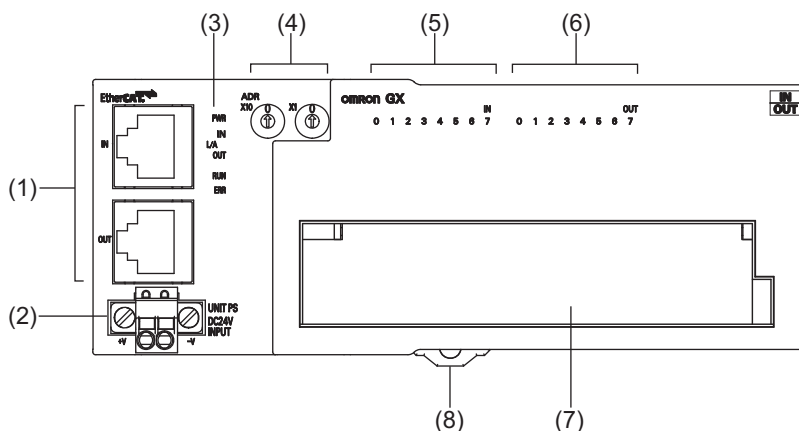
Item	Specification	
	GX-MD1611	GX-MD1621
Input capacity	8 points	
ON voltage	15 VDC min. (between each input terminal and the V terminal)	15 VDC min. (between each input terminal and the G terminal)
OFF voltage	5 VDC max. (between each input terminal and the V terminal)	5 VDC max. (between each input terminal and the G terminal)
OFF current	1.0 mA max.	
Input current	6.0 mA max./input (at 24-VDC) 3.0 mA max./input (at 17-VDC)	
ON delay	0.1 ms max.	
OFF delay	0.2 ms max.	
Input filter value	Without filter, 0.5 ms, 1 ms, 2 ms, 4 ms, 8 ms, 16 ms, 32 ms (Default setting: 1 ms)	
Number of circuits per common	8 points/common	
Isolation method	Photocoupler isolation	
I/O power supply method	Supply by I/O power supply	
I/O power supply current consumption	10 mA max. (for 20.4 to 26.4-VDC power supply voltage)	

● Output section

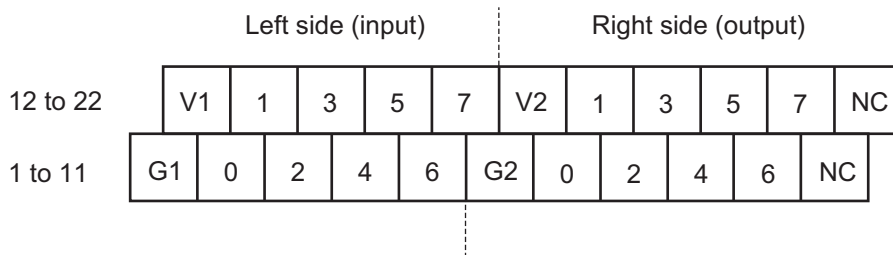
Item	Specification	
	GX-MD1611	GX-MD1621
Output capacity	8 points	
Rated output current	0.5 A/output, 2.0 A/common	
Residual voltage	1.2 V max. (0.5 ADC, between each output terminal and the G terminal)	1.2 V max. (0.5 ADC, between each output terminal and the V terminal)
Leakage current	0.1 mA max.	
ON delay	0.5 ms max.	
OFF delay	1.5 ms max.	
Number of circuits per common	8 points/common	
Isolation method	Photocoupler isolation	
I/O power supply method	Supply by I/O power supply	
I/O power supply current consumption	10 mA max. (for 20.4 to 26.4-VDC power supply voltage)	
Error Mode Output	Select either hold or clear.	

Notes For the I/O power supply current value to V and G terminals ,refer to "A-5 I/O Power Supply Current" in Page A - 79.

Names and functions



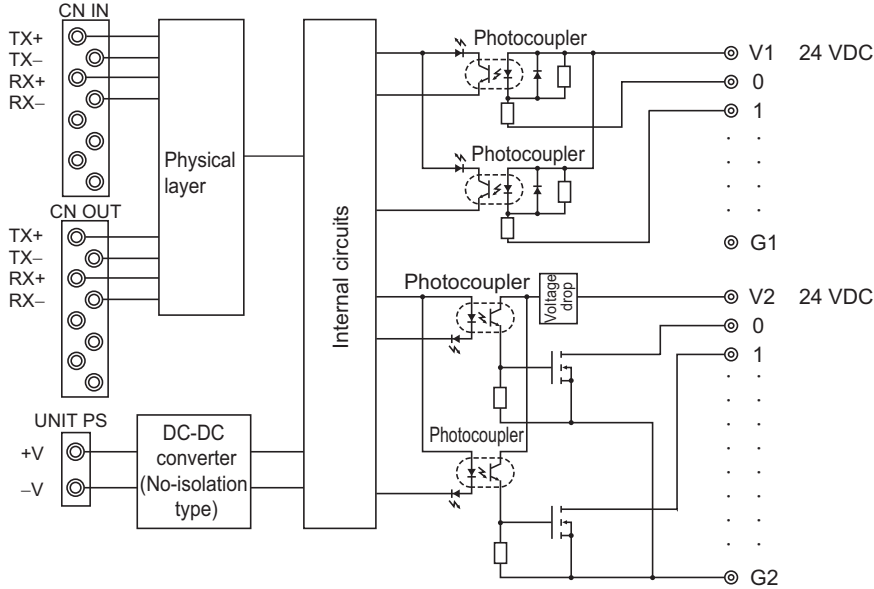
● Terminal arrangement diagram



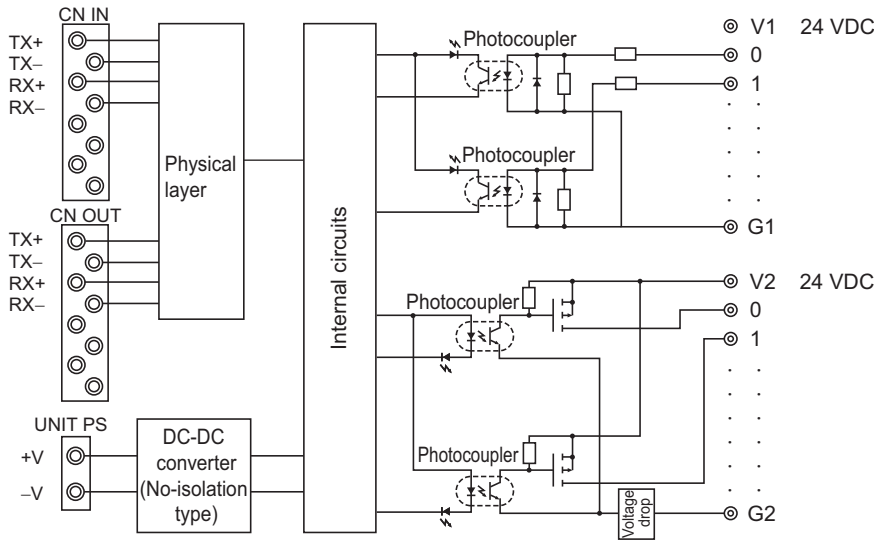
No.	Name	Function
(1)	Communications connectors	Refer to "6-3 Specifications of Common Areas" in Page 6 - 4.
(2)	Unit power supply connector	
(3)	Status indicators	
(4)	Node Address setting Switches	
(5)	Input indicators (0 to 7)	Indicates the state of an input contact (ON/OFF). Not lit: Contact OFF (input OFF state) Lit in yellow: Contact ON (input ON state)
(6)	Output indicators (0 to 7)	Indicates the state of an output contact (ON/OFF). Not lit: Contact OFF (output OFF state) Lit in yellow: Contact ON (output ON state)
(7)	Terminal block	Connects external devices and the I/O power supply. <Left side> V1, G1: Input side I/O power supply terminals 0 to 7: Input terminals <Right side> V2, G2: Output side I/O power supply terminals 0 to 7: Output terminals
(8)	DIN track mounting hook	Fixes a Slave Unit to a DIN track.

Internal circuits diagram

● GX-MD1611 (NPN)

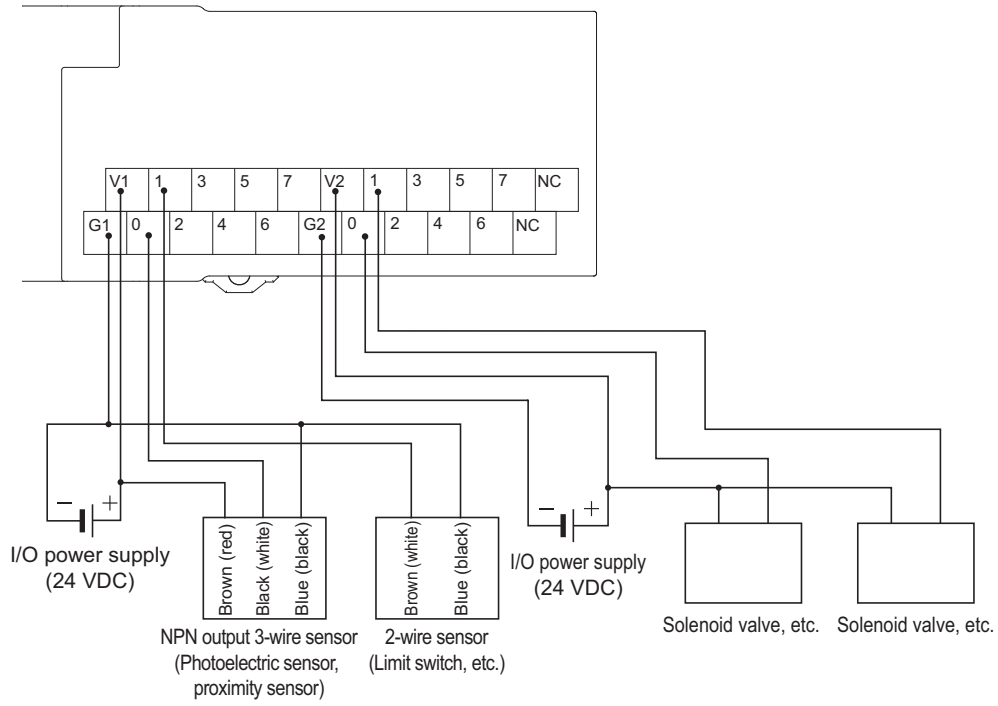


● GX-MD1621 (PNP)

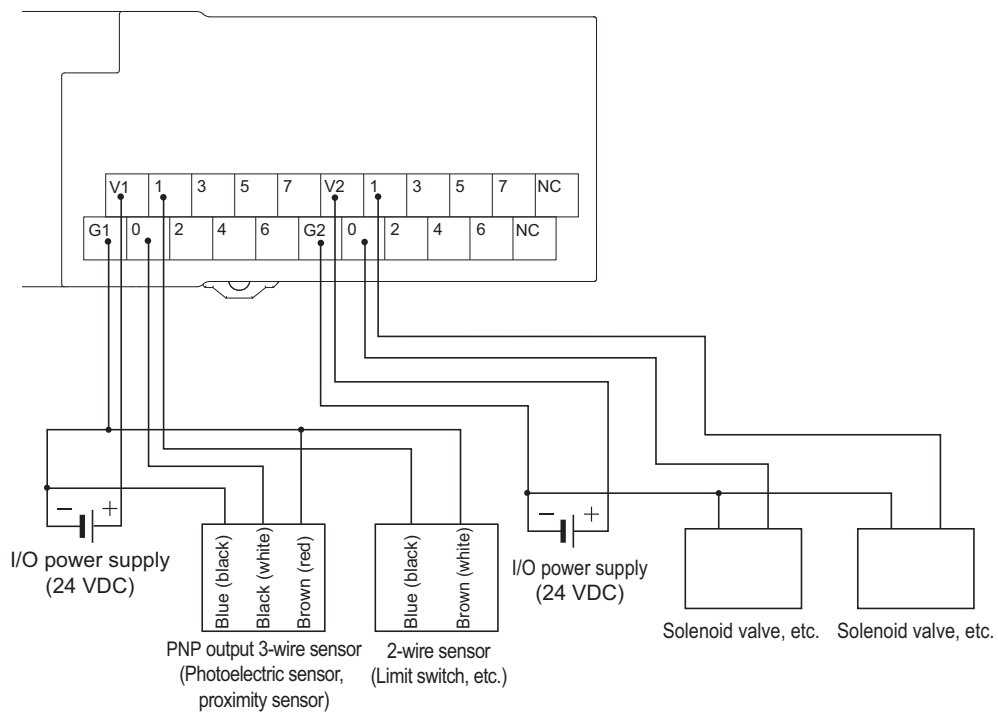


Wiring diagram

● GX-MD1611 (NPN)



● GX-MD1621 (PNP)





Precautions for Correct Use

- The V1 and V2 terminals as well as the G1 and G2 terminals of the I/O power supply are not connected internally. Supply power separately for V1-G1 and V2-G2.
 - When using an inductive load, such as a solenoid valve, either use a built-in diode for absorbing the counterelectromotive force or install an external diode. (Refer to "A-4 Wiring External Output Signal Lines" in Page A - 78.)
 - Do not wire NC terminals.
-



Reference

Wire colors have been changed according to revisions in the JIS standards for photoelectric and proximity sensors. The colors in parentheses are the wire colors prior to the revisions.

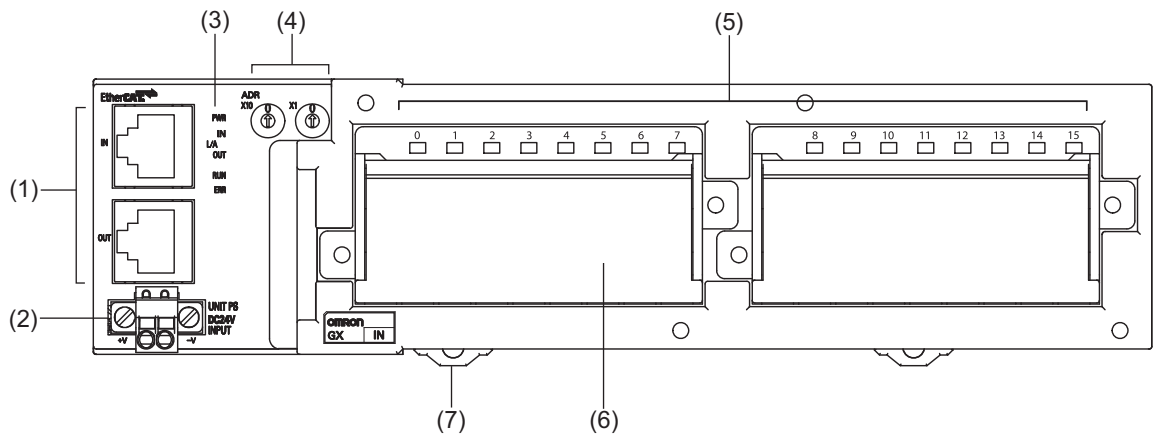
7-4-5 3-tier Terminal Block Type 16-point Input Slave Unit GX-ID1612/ID1622

Specification

Item	Specification	
	GX-ID1612	GX-ID1622
Input capacity	16 points	
Internal I/O common	NPN	PNP
ON voltage	15 VDC min. (between each input terminal and the V terminal)	15 VDC min. (between each input terminal and the G terminal)
OFF voltage	5 VDC max. (between each input terminal and the V terminal)	5 VDC max. (between each input terminal and the G terminal)
OFF current	1.0 mA max.	
Input current	6.0 mA max./input (at 24-VDC) 3.0 mA max./input (at 17-VDC)	
ON delay	0.1 ms max.	
OFF delay	0.2 ms max.	
Input filter value	Without filter, 0.5 ms, 1 ms, 2 ms, 4 ms, 8 ms, 16 ms, 32 ms (Default setting: 1 ms)	
Number of circuits per common	8 points/common	
Input indicators	LED display (yellow)	
Isolation method	Photocoupler isolation	
I/O power supply method	Supply by I/O power supply	
Input device supply current	100 mA/point	
Unit power supply current consumption	90 mA max. (for 20.4 to 26.4-VDC power supply voltage)	
I/O power supply current consumption	10 mA max. (for 20.4 to 26.4-VDC power supply voltage)	
Weight	370 g max.	
Expansion functions	No	
Short-circuit protection function	No	

Notes For the I/O power supply current value to V and G terminals ,refer to "A-5 I/O Power Supply Current" in Page A - 79.

Names and functions



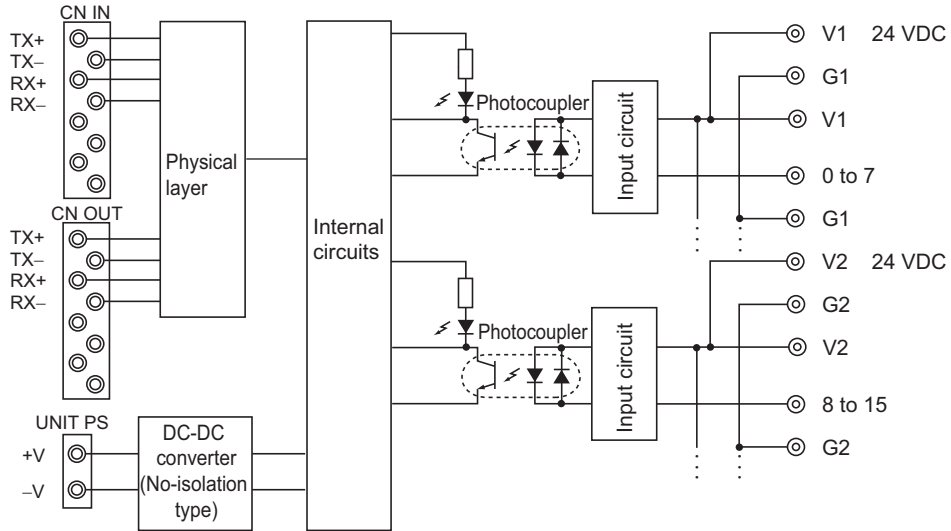
● Terminal arrangement diagram

1 to 9	NC	0	1	2	3	4	5	6	7	NC	8	9	10	11	12	13	14	15
10 to 18	V1	V1	V1	V1	V1	V1	V1	V1	V1	V2	V2	V2	V2	V2	V2	V2	V2	V2
19 to 27	G1	G1	G1	G1	G1	G1	G1	G1	G1	G2	G2	G2	G2	G2	G2	G2	G2	G2

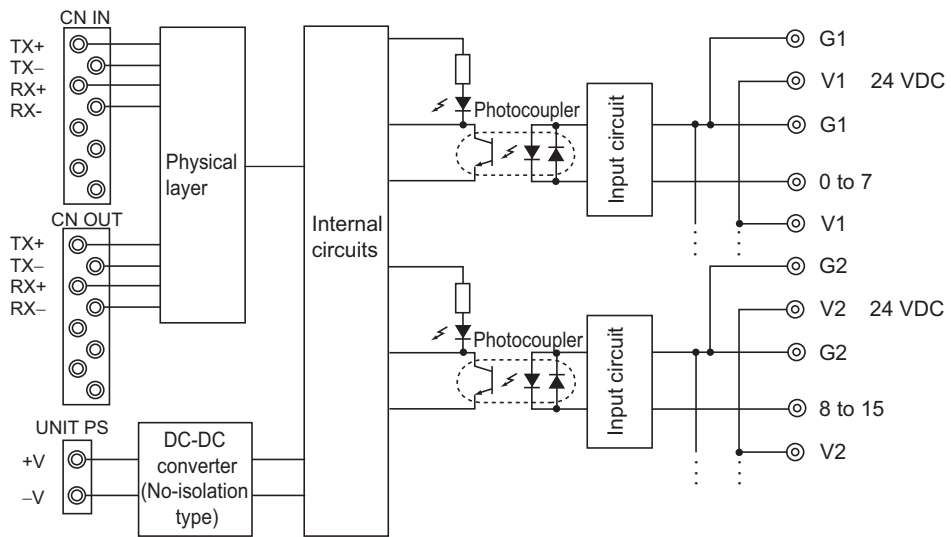
No.	Name	Function
(1)	Communications connectors	Refer to "6-3 Specifications of Common Areas" in Page 6 - 4.
(2)	Unit power supply connector	
(3)	Status indicators	
(4)	Node Address setting Switches	
(5)	Input indicators (0 to 15)	Indicates the state of an input contact (ON/OFF). Not lit: Contact OFF (input OFF state) Lit in yellow: Contact ON (input ON state)
(6)	Terminal block	Connects external devices and the I/O power supply. <Left side> V1, G1: I/O power supply terminals 0 to 7: Input terminals <Right side> V2, G2: I/O power supply terminals 8 to 15: Input terminals
(7)	DIN track mounting hook	Fixes a Slave Unit to a DIN track.

Internal circuits diagram

● GX-ID1612 (NPN)

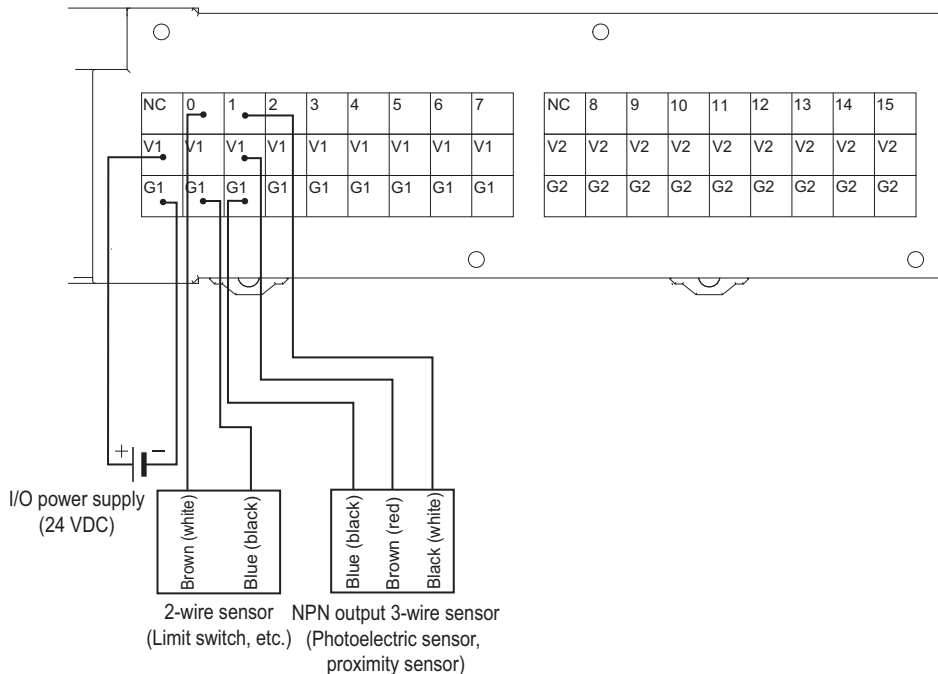


● GX-ID1622 (PNP)

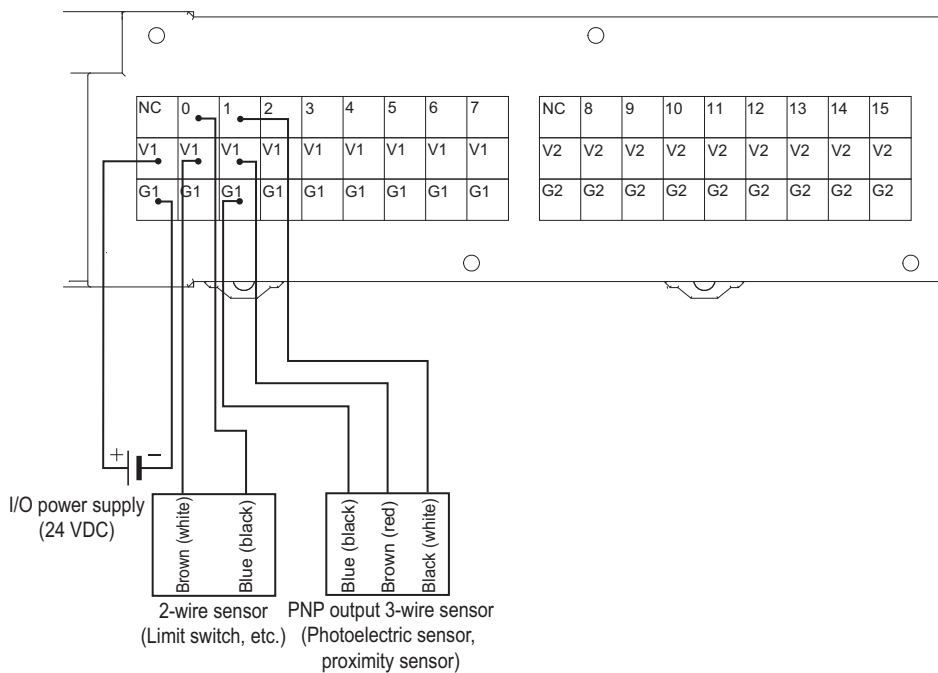


Wiring diagram

● GX-ID1612 (NPN)



● GX-ID1622 (PNP)





Precautions for Correct Use

- The V1 and V2 terminals as well as the G1 and G2 terminals of the I/O power supply are not connected internally. Supply power separately for V1-G1 and V2-G2.
 - Do not wire NC terminals.
-



Reference

Wire colors have been changed according to revisions in the JIS standards for photoelectric and proximity sensors. The colors in parentheses are the wire colors prior to the revisions.

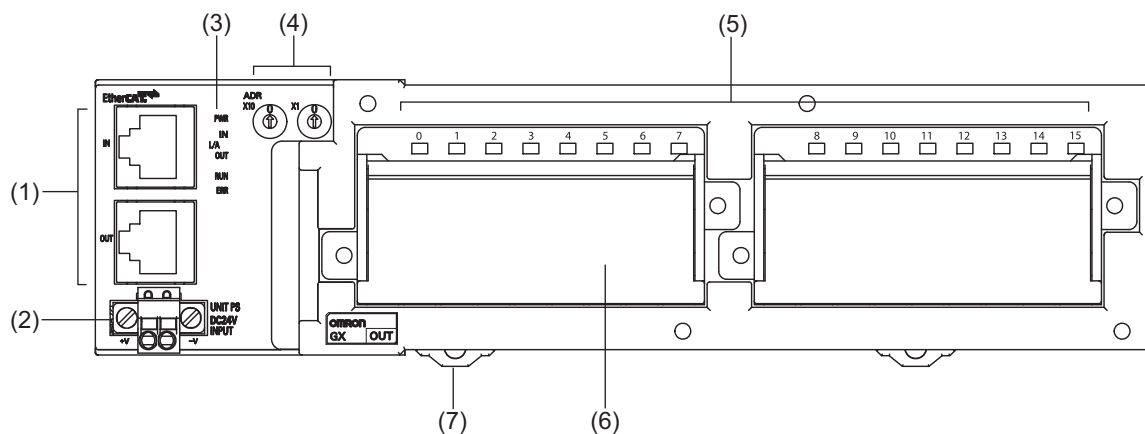
7-4-6 3-tier Terminal Block Type 16-point Output Slave Unit GX-OD1612/OD1622

Specification

Item	Specification	
	GX-OD1612	GX-OD1622
Output capacity	16 points	
Rated current (ON current)	0.5 A/output, 4.0 A/common	
Internal I/O common	NPN	PNP
Residual voltage	1.2 V max. (0.5 ADC, between each output terminal and the G terminal)	1.2 V max. (0.5 ADC, between each output terminal and the V terminal)
Leakage current	0.1 mA max.	
ON delay	0.5 ms max.	
OFF delay	1.5 ms max.	
Number of circuits per common	8 points/common	
Output indicators	LED display (yellow)	
Isolation method	Photocoupler isolation	
I/O power supply method	Supply by I/O power supply	
Output device supply current	100 mA/point	
Unit power supply current consumption	90 mA max. (for 20.4 to 26.4-VDC power supply voltage)	
I/O power supply current consumption	10 mA max. (for 20.4 to 26.4-VDC power supply voltage)	
Weight	370 g max.	
Expansion functions	No	
Error Mode Output	Select either hold or clear.	
Short-circuit protection function	No	

Notes For the I/O power supply current value to V and G terminals, refer to "A-5 I/O Power Supply Current" in Page A - 79.

Names and functions



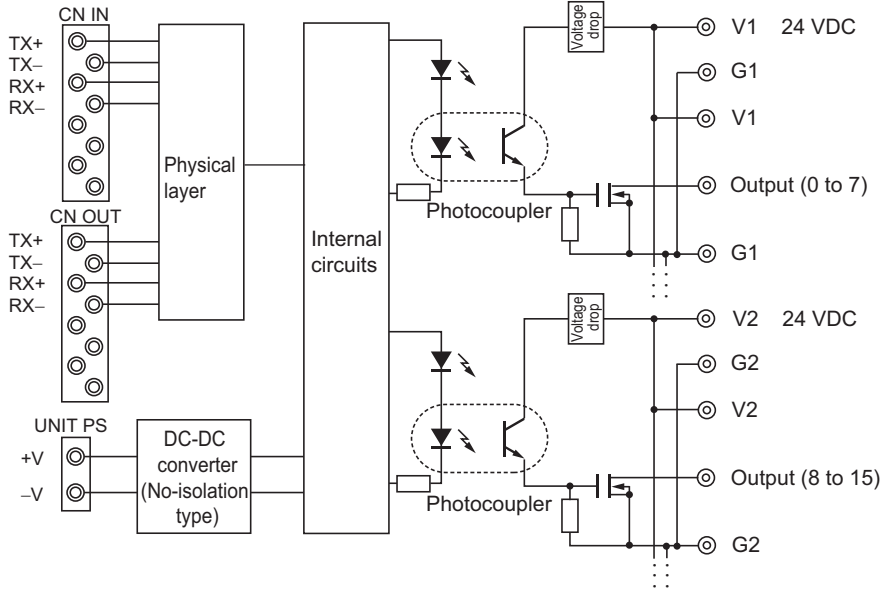
● Terminal arrangement diagram

1 to 9	NC	0	1	2	3	4	5	6	7	NC	8	9	10	11	12	13	14	15
10 to 18	V1	V1	V1	V1	V1	V1	V1	V1	V1	V2	V2	V2	V2	V2	V2	V2	V2	V2
19 to 27	G1	G1	G1	G1	G1	G1	G1	G1	G1	G2	G2	G2	G2	G2	G2	G2	G2	G2

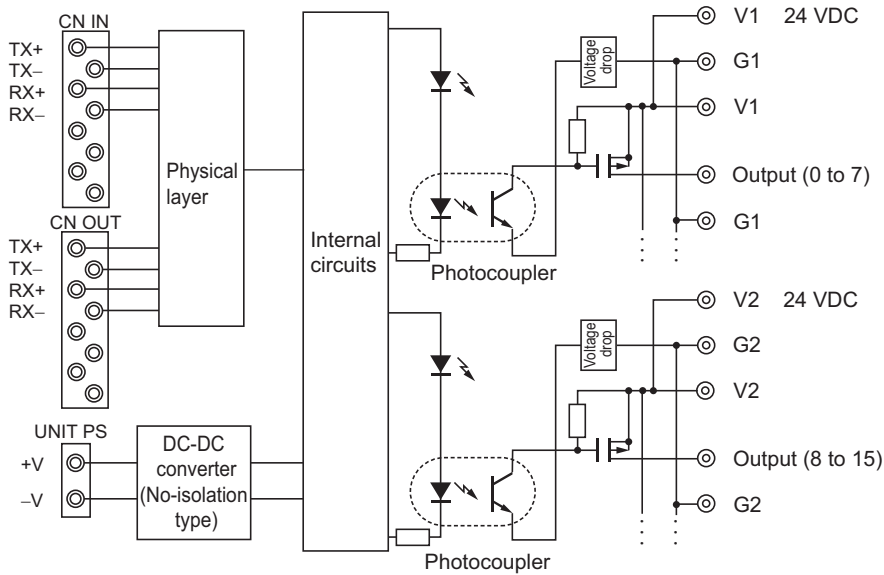
No.	Name	Function
(1)	Communications connectors	Refer to "6-3 Specifications of Common Areas" in Page 6 - 4.
(2)	Unit power supply connector	
(3)	Status indicators	
(4)	Node Address setting Switches	
(5)	Output indicators (0 to 15)	Indicates the state of an output contact (ON/OFF). Not lit: Contact OFF (output OFF state) Lit in yellow: Contact ON (output ON state)
(6)	Terminal block	Connects external devices and the I/O power supply. <Left side> V1, G1: I/O power supply terminals 0 to 7: Output terminals <Right side> V2, G2: I/O power supply terminals 8 to 15: Output terminals
(7)	DIN track mounting hook	Fixes a Slave Unit to a DIN track.

Internal circuits diagram

● GX-OD1612 (NPN)

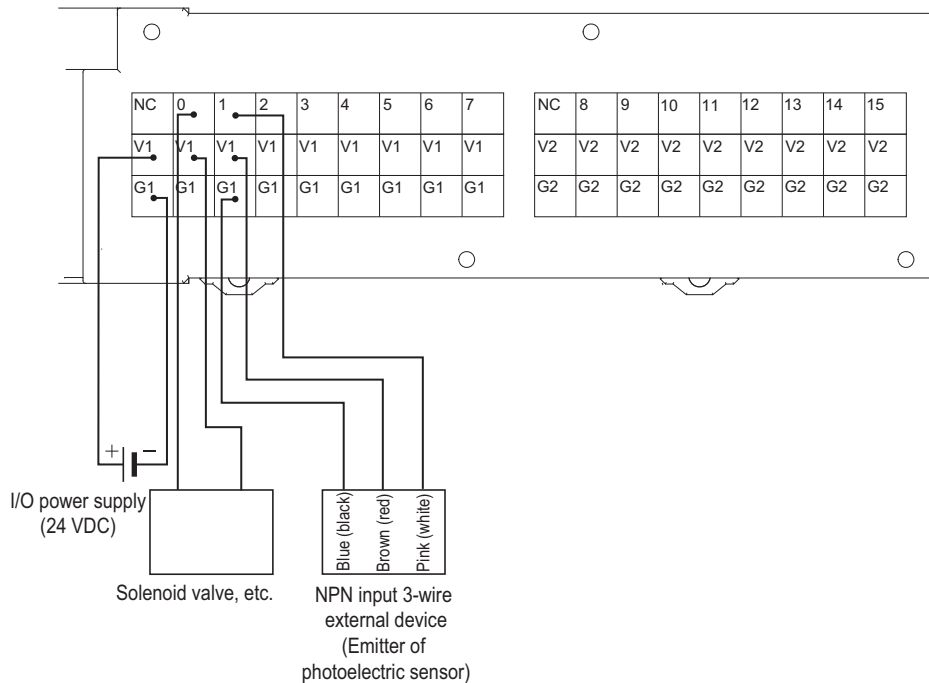


● GX-OD1622 (PNP)

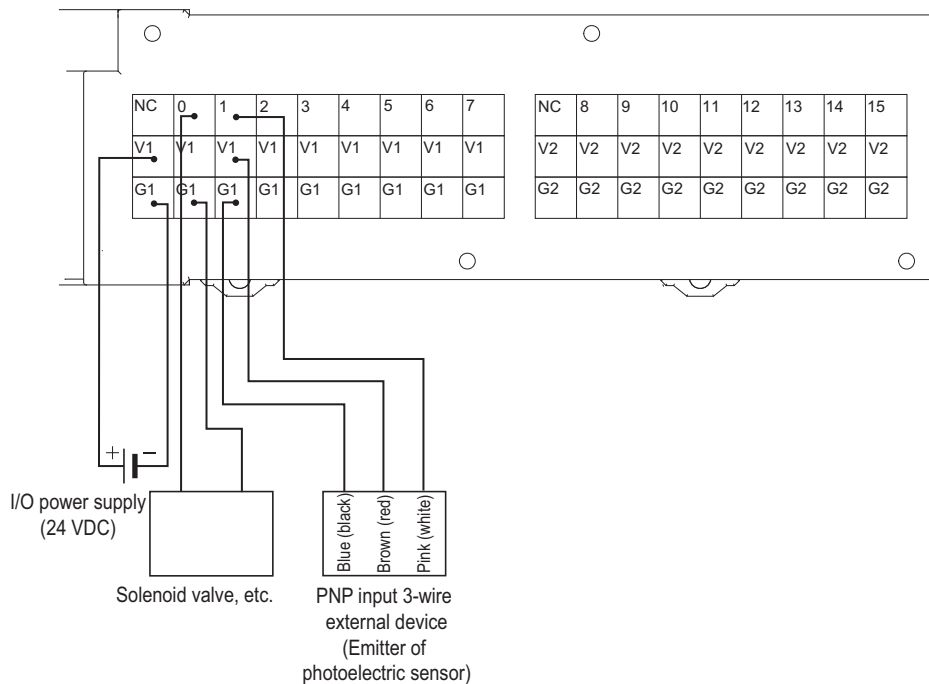


Wiring diagram

● GX-OD1612 (NPN)



● GX-OD1622 (PNP)





Precautions for Correct Use

- The V1 and V2 terminals as well as the G1 and G2 terminals of the I/O power supply are not connected internally. Supply power separately for V1-G1 and V2-G2.
 - Use a maximum current of 500 mA for each V1, V2, G1, and G2 terminals aside from the I/O power supply terminals.
 - When using an inductive load, such as a solenoid valve, either use a built-in diode for absorbing the counterelectromotive force or install an external diode. (Refer to "A-4 Wiring External Output Signal Lines" in Page A - 78.)
 - Do not wire NC terminals.
-



Reference

Wire colors have been changed according to revisions in the JIS standards for photoelectric and proximity sensors. The colors in parentheses are the wire colors prior to the revisions.

7-4-7 3-tier Terminal Block Type 8-point Input and 8-point Output Slave Unit GX-MD1612/MD1622

Specification

● Common to input section and output section

Item	Specification	
	GX-MD1612	GX-MD1622
Internal I/O common	NPN	PNP
I/O indicators	LED display (yellow)	
Unit power supply current consumption	90 mA max. (for 20.4 to 26.4-VDC power supply voltage)	
Weight	370 g max.	
Expansion functions	No	
Short-circuit protection function	No	

● Input section

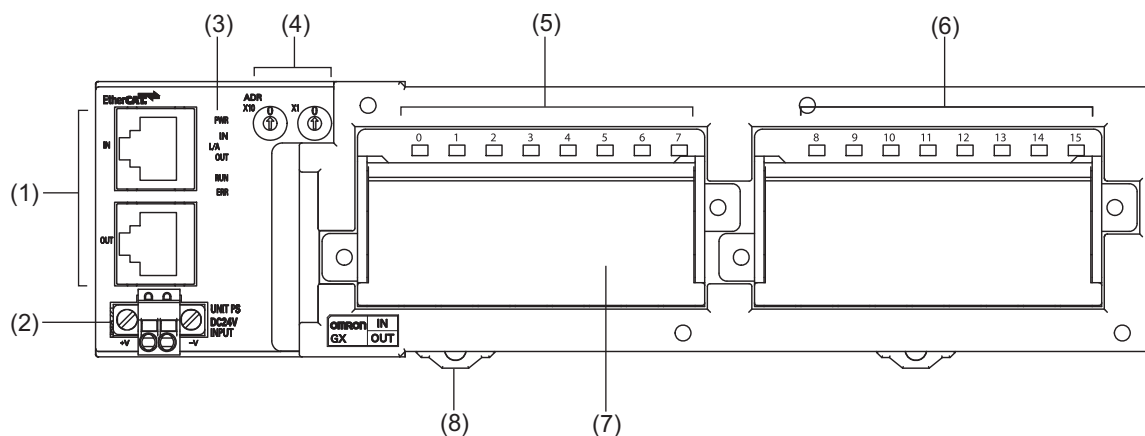
Item	Specification	
	GX-MD1612	GX-MD1622
Input capacity	8 points	
ON voltage	15 VDC min. (between each input terminal and the V terminal)	15 VDC min. (between each input terminal and the G terminal)
OFF voltage	5 VDC max. (between each input terminal and the V terminal)	5 VDC max. (between each input terminal and the G terminal)
OFF current	1.0 mA max./input	
Input current	6.0 mA max./input (at 24-VDC) 3.0 mA max./input (at 17-VDC)	
ON delay	0.1 ms max.	
OFF delay	0.2 ms max.	
Input filter value	Without filter, 0.5 ms, 1 ms, 2 ms, 4 ms, 8 ms, 16 ms, 32 ms (Default setting: 1 ms)	
Number of circuits per common	8 points/common	
Isolation method	Photocoupler isolation	
I/O power supply method	Supply by I/O power supply	
Input device supply current	100 mA/point	
I/O power supply current consumption	10 mA max. (for 20.4 to 26.4-VDC power supply voltage)	

● Output section

Item	Specification	
	GX-MD1612	GX-MD1622
Output capacity	8 points	
Rated output current	0.5 A/output, 2.0 A/common	
Residual voltage	1.2 V max. (0.5 ADC, between each output terminal and the G terminal)	1.2 V max. (0.5 ADC, between each output terminal and the V terminal)
Leakage current	0.1 mA max.	
ON delay	0.5 ms max.	
OFF delay	1.5 ms max.	
Number of circuits per common	8 points/common	
Isolation method	Photocoupler isolation	
I/O power supply method	Supply by I/O power supply	
Output device supply current	100 mA/point	
I/O power supply current consumption	10 mA max. (for 20.4 to 26.4-VDC power supply voltage)	
Error Mode Output	Select either hold or clear.	

Notes For the I/O power supply current value to V and G terminals, refer to "A-5 I/O Power Supply Current" in Page A - 79.

Names and functions



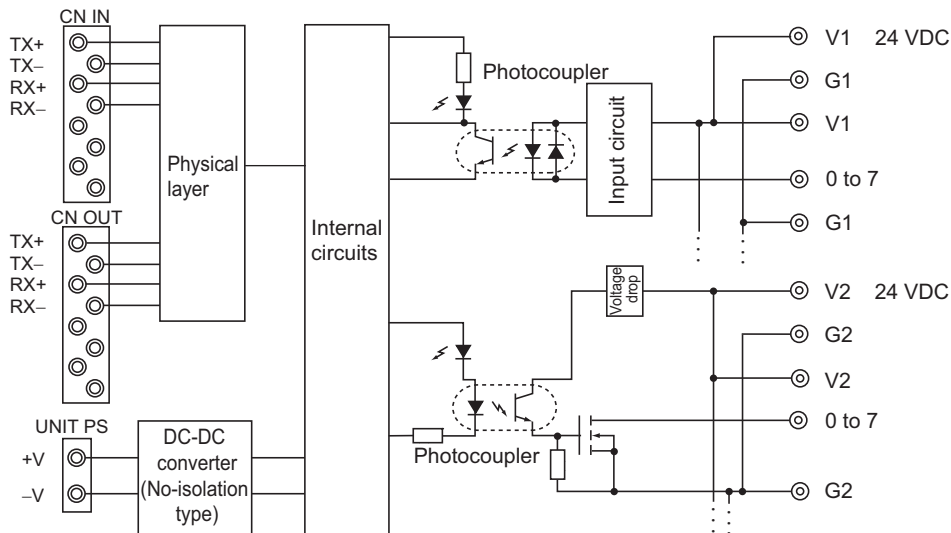
● Terminal arrangement diagram

1 to 9	NC	0	1	2	3	4	5	6	7	NC	0	1	2	3	4	5	6	7
10 to 18	V1	V1	V1	V1	V1	V1	V1	V1	V1	V2	V2	V2	V2	V2	V2	V2	V2	V2
19 to 27	G1	G1	G1	G1	G1	G1	G1	G1	G1	G2	G2	G2	G2	G2	G2	G2	G2	G2

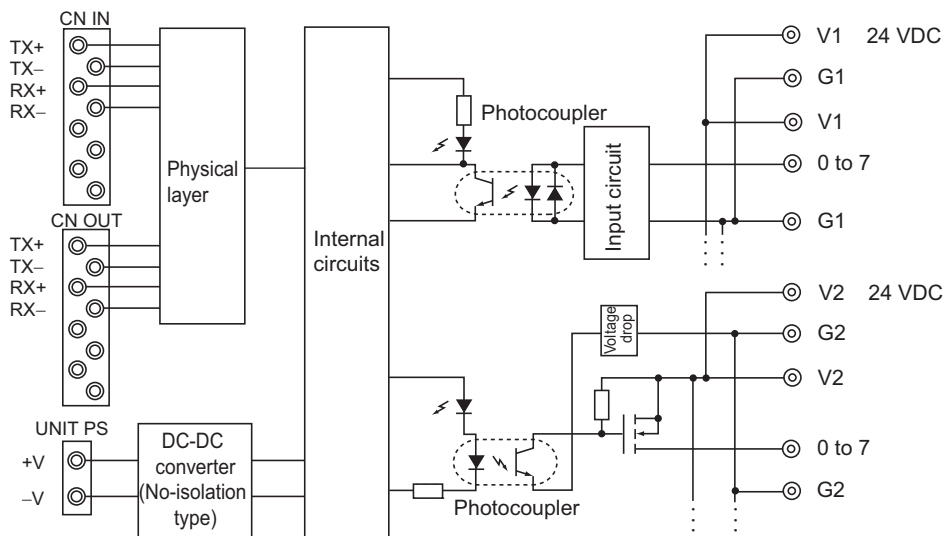
No.	Name	Function
(1)	Communications connectors	Refer to "6-3 Specifications of Common Areas" in Page 6 - 4.
(2)	Unit power supply connector	
(3)	Status indicators	
(4)	Node Address setting Switches	
(5)	Input indicators (0 to 7)	Indicates the state of an input contact (ON/OFF). Not lit: Contact OFF (input OFF state) Lit in yellow: Contact ON (input ON state)
(6)	Output indicators (0 to 7)	Indicates the state of an output contact (ON/OFF). Not lit: Contact OFF (output OFF state) Lit in yellow: Contact ON (output ON state)
(7)	Terminal block	Connects external devices and the I/O power supply. <Left side> V1, G1: Input side I/O power supply terminals 0 to 7: Input terminals <Right side> V2, G2: Output side I/O power supply terminals 0 to 7: Output terminals
(8)	DIN track mounting hook	Fixes a Slave Unit to a DIN track.

Internal circuits diagram

● GX-MD1612 (NPN)

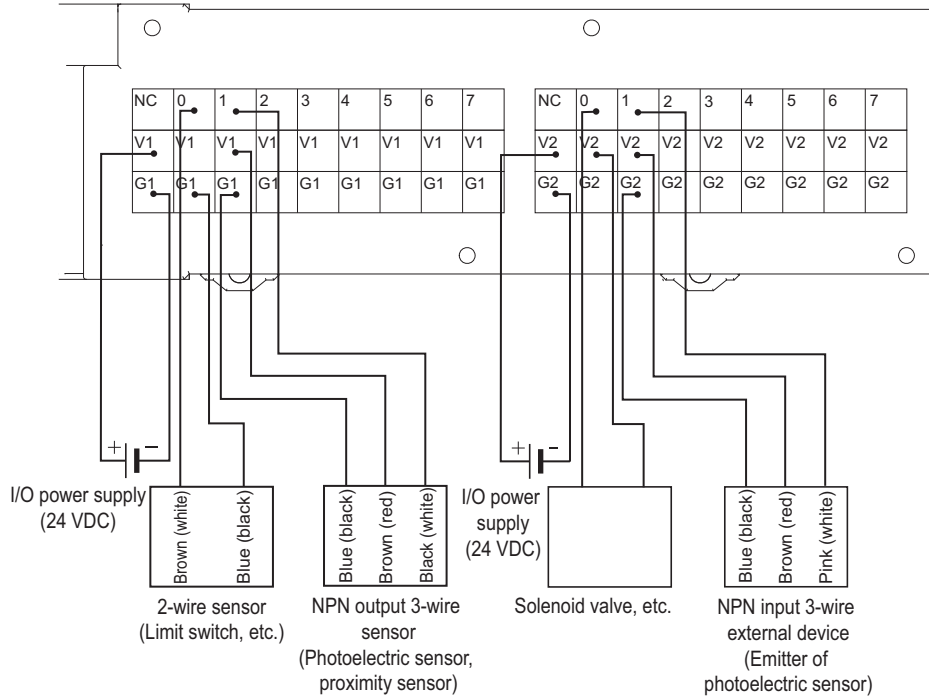


● GX-MD1622 (PNP)

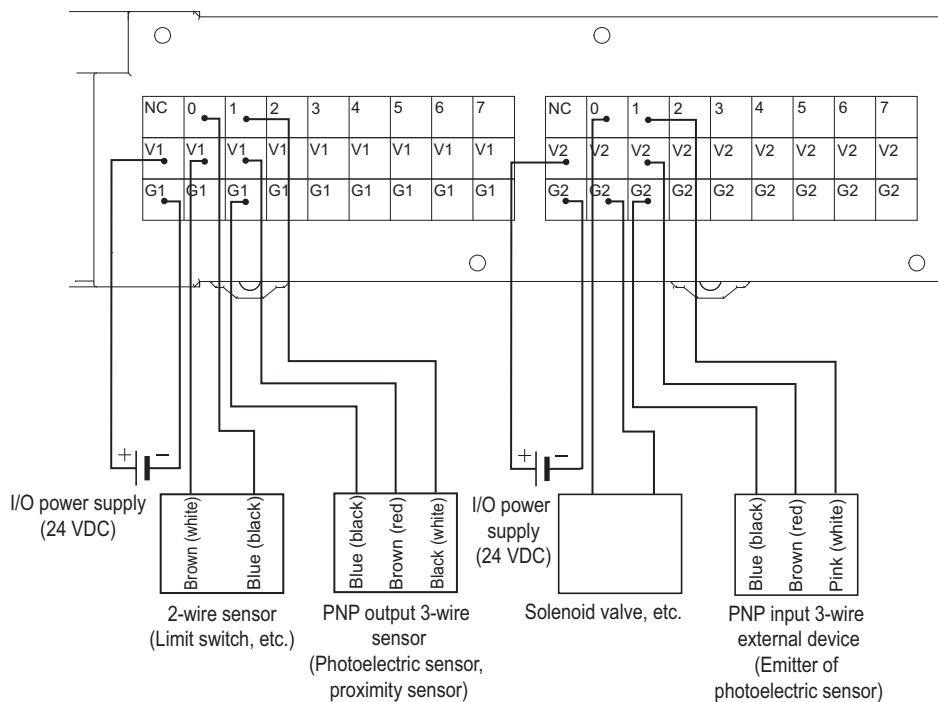


Wiring diagram

● GX-MD1612 (NPN)



● GX-MD1622 (PNP)





Precautions for Correct Use

- The V1 and V2 terminals as well as the G1 and G2 terminals of the I/O power supply are not connected internally. Supply power separately for V1-G1 and V2-G2.
 - Use a maximum current of 500 mA for each V1, V2, G1, and G2 terminals aside from the I/O power supply terminals.
 - When using an inductive load, such as a solenoid valve, either use a built-in diode for absorbing the counterelectromotive force or install an external diode. (Refer to "A-4 Wiring External Output Signal Lines" in Page A - 78.)
 - Do not wire NC terminals.
-



Reference

Wire colors have been changed according to revisions in the JIS standards for photoelectric and proximity sensors. The colors in parentheses are the wire colors prior to the revisions.

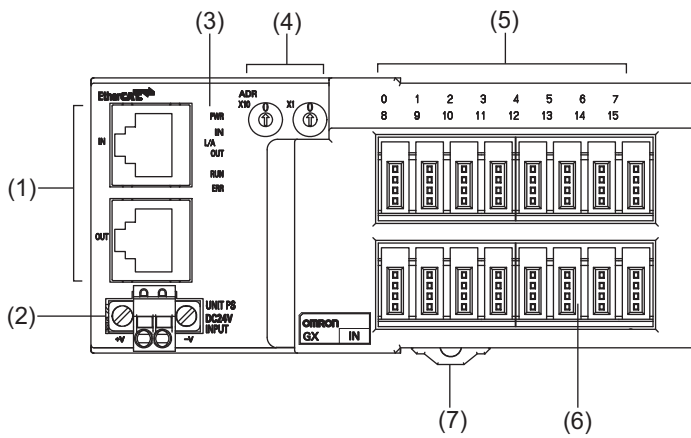
7-4-8 e-CON Connector Type 16-point Input Slave Unit GX-ID1618/ID1628

Specification

Item	Specification	
	GX-ID1618	GX-ID1628
Input capacity	16 points	
Internal I/O common	NPN	PNP
ON voltage	15 VDC min. (between each input terminal and the V terminal)	15 VDC min. (between each input terminal and the G terminal)
OFF voltage	5 VDC max. (between each input terminal and the V terminal)	5 VDC max. (between each input terminal and the G terminal)
OFF current	1.0 mA max.	
Input current	6.0 mA max./input (at 24-VDC) 3.0 mA max./input (at 17-VDC)	
ON delay	0.1 ms max.	
OFF delay	0.2 ms max.	
Input filter value	Without filter, 0.5 ms, 1 ms, 2 ms, 4 ms, 8 ms, 16 ms, 32 ms (Default setting: 1 ms)	
Number of circuits per common	16 points/common	
Input indicators	LED display (yellow)	
Isolation method	No isolation	
I/O power supply method	Supplied from unit power supply	
Input device supply current	50 mA/point	
Unit power supply current consumption	150 mA max. (for 20.4 to 26.4-VDC power supply voltage)	
e-CON connector insertion durability	50 times	
Weight	140 g max.	
Expansion functions	No	
Short-circuit protection function	Available (Operates at 50 mA/point min.)	

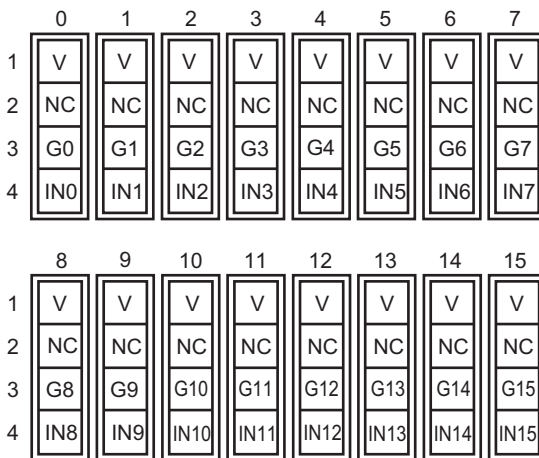
Notes For the I/O power supply current value to V and G terminals ,refer to "A-5 I/O Power Supply Current" in Page A - 79.

Names and functions

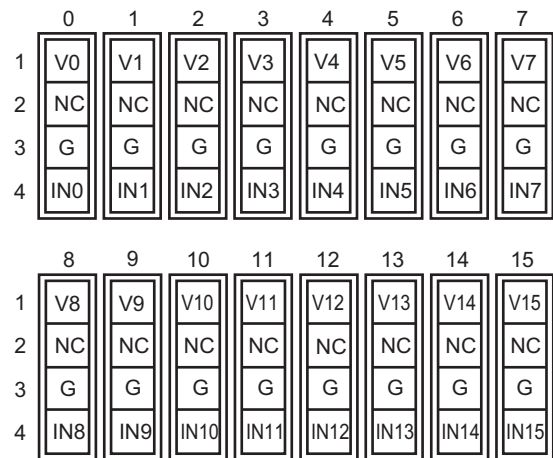


Terminal arrangement diagram

• GX-ID1618



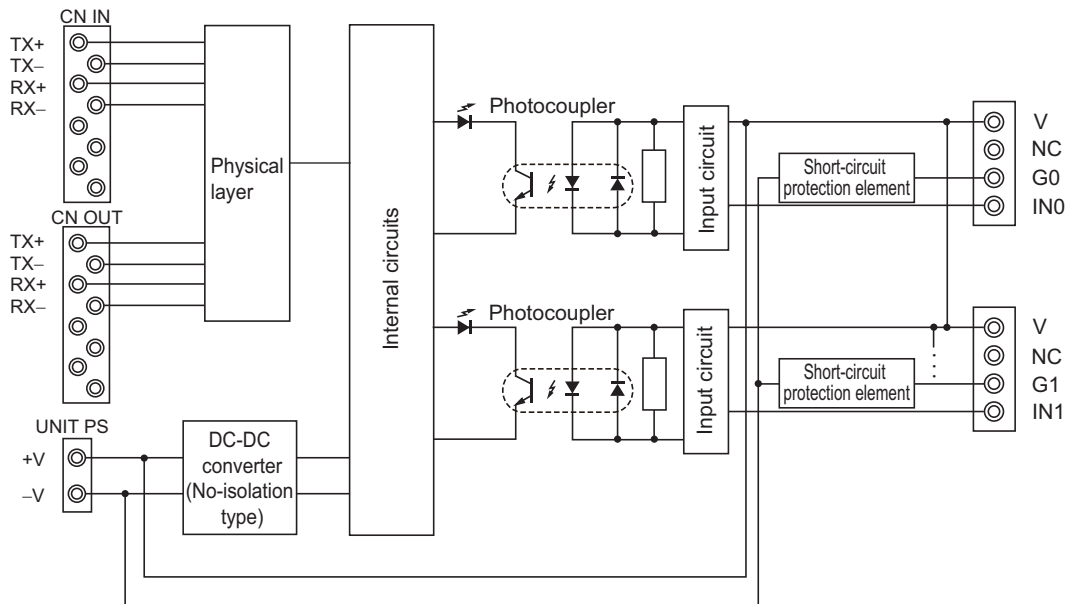
• GX-ID1628



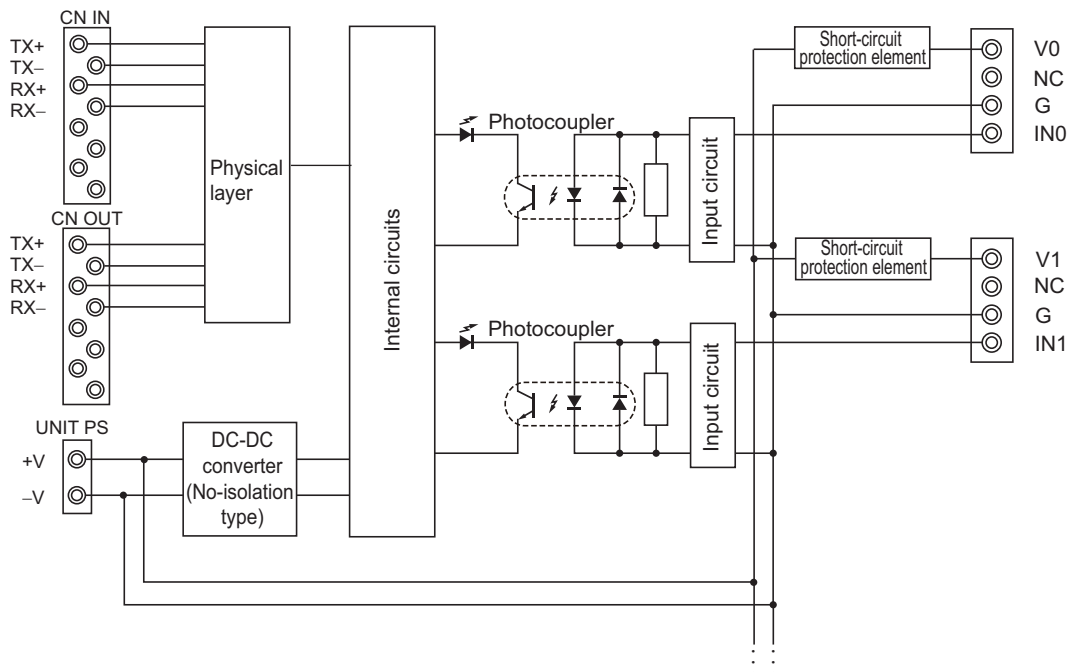
No.	Name	Function
(1)	Communications connectors	Refer to "6-3 Specifications of Common Areas" in Page 6 - 4.
(2)	Unit power supply connector	
(3)	Status indicators	
(4)	Node Address setting Switches	
(5)	Input indicators (0 to 15)	Indicates the state of an input contact (ON/OFF). Not lit: Contact OFF (input OFF state) Lit in yellow: Contact ON (input ON state)
(6)	I/O connectors (0 to 15)	Connects an external device.
(7)	DIN track mounting hook	Fixes a Slave Unit to a DIN track.

Internal circuits diagram

● GX-ID1618 (NPN)

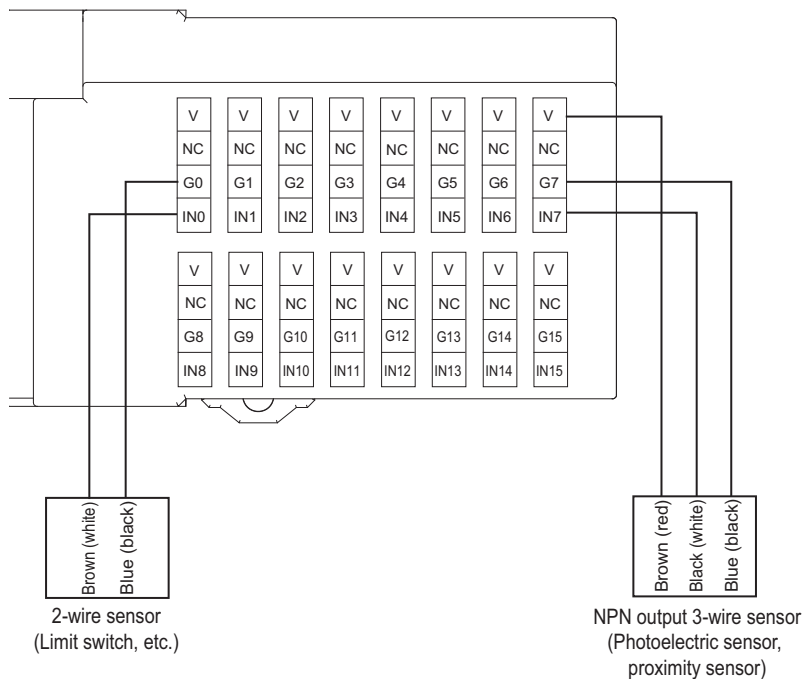


● GX-ID1628 (PNP)

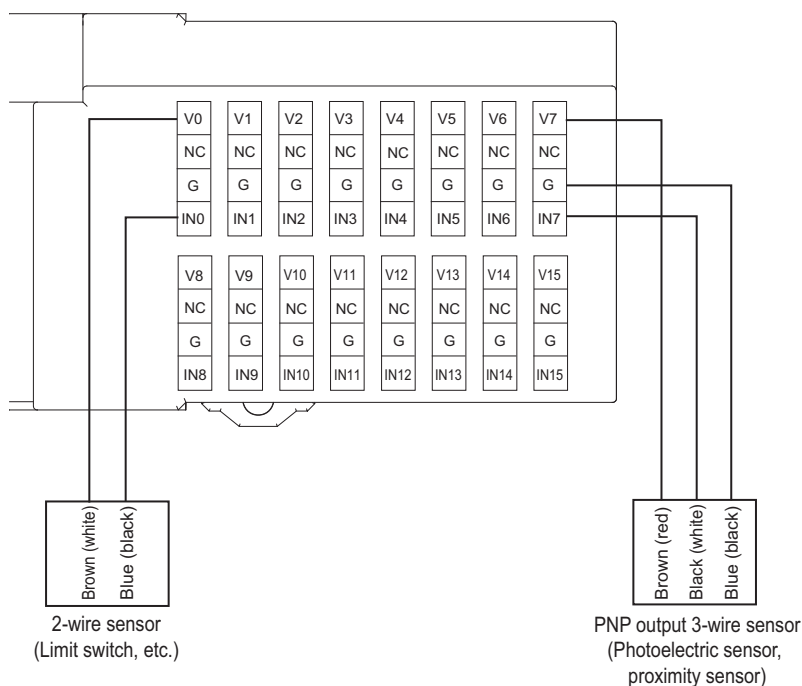


Wiring diagram

● GX-ID1618 (NPN)



● GX-ID1628 (PNP)



Reference

Wire colors have been changed according to revisions in the JIS standards for photoelectric and proximity sensors. The colors in parentheses are the wire colors prior to the revisions.

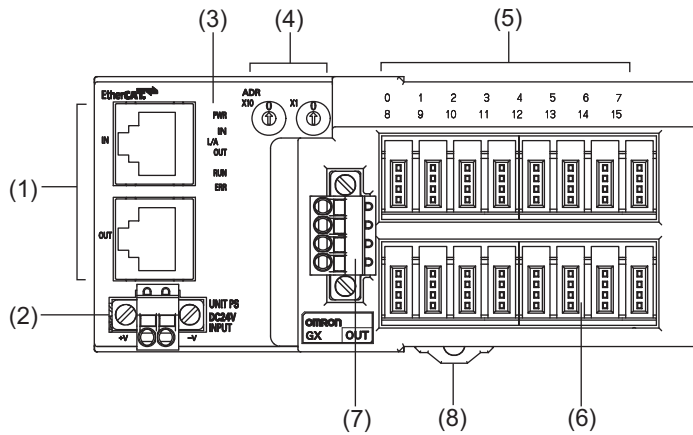
7-4-9 e-CON Connector Type 16-point Output Slave Unit GX-OD1618/OD1628

Specification

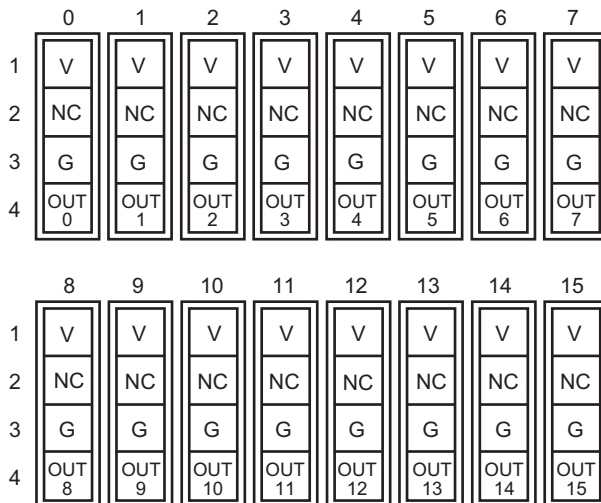
Item	Specification	
	GX-OD1618	GX-OD1628
Output capacity	16 points	
Rated current (ON current)	0.5 A/output, 4.0 A/common	
Internal I/O common	NPN	PNP
Residual voltage	1.2 V max. (0.5 ADC, between each output terminal and the G terminal)	1.2 V max. (0.5 ADC, between each output terminal and the V terminal)
Leakage current	0.1 mA max.	
ON delay	0.5 ms max.	
OFF delay	1.5 ms max.	
Number of circuits per common	16 points/common	
Output indicators	LED display (yellow)	
Isolation method	Photocoupler isolation	
I/O power supply method	Supply by I/O power supply	
Output device supply current	100 mA/point	
Unit power supply current consumption	80 mA max. (for 20.4 to 26.4-VDC power supply voltage)	
Current consumption from I/O power supply	10 mA max. (for power supply voltage of 20.4 to 26.4 VDC)	
e-CON connector insertion durability	50 times	
Weight	130 g max.	
Expansion functions	No	
Error Mode Output	Select either hold or clear.	
Short-circuit protection function	No	

Notes For the I/O power supply current value to V and G terminals ,refer to "A-5 I/O Power Supply Current" in Page A - 79.

Names and functions



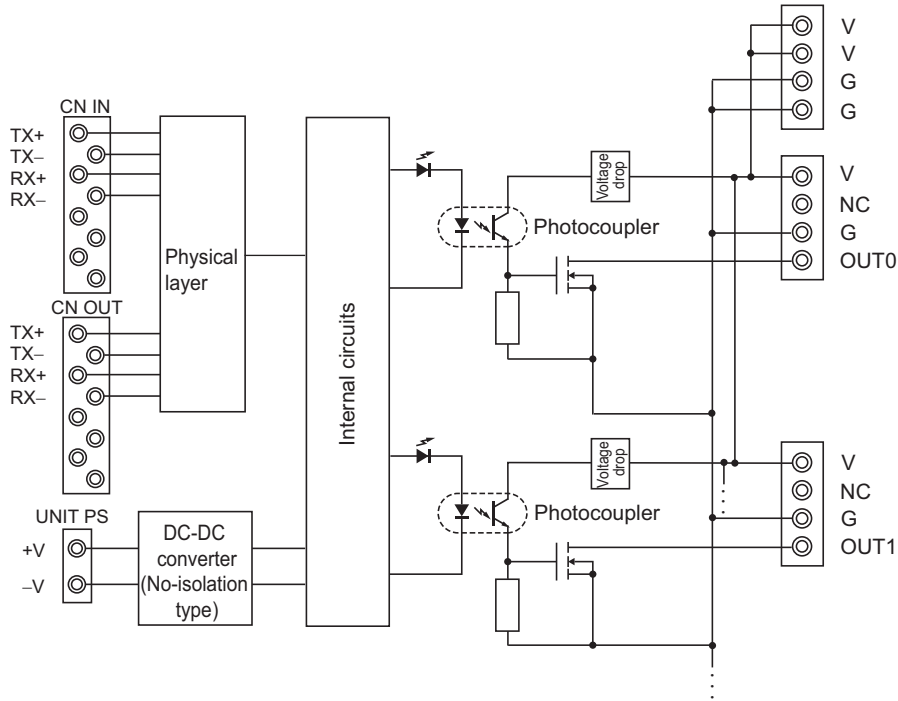
● Terminal arrangement diagram



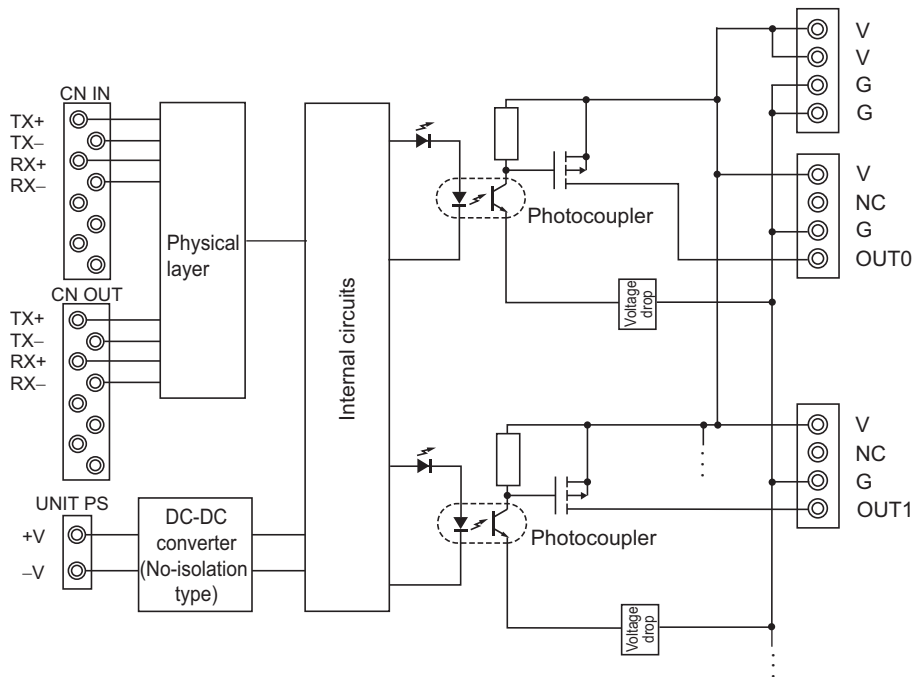
No.	Name	Function
(1)	Communications connectors	Refer to "6-3 Specifications of Common Areas" in Page 6 - 4.
(2)	Unit power supply connector	
(3)	Status indicators	
(4)	Node Address setting Switches	
(5)	Output indicators (0 to 15)	Indicates the state of an output contact (ON/OFF). Not lit: Contact OFF (output OFF state) Lit in yellow: Contact ON (output ON state)
(6)	I/O connectors (0 to 15)	Connects an external device.
(7)	I/O power supply connector	Supplies the I/O power.
(8)	DIN track mounting hook	Fixes a Slave Unit to a DIN track.

Internal circuits diagram

● GX-OD1618 (NPN)

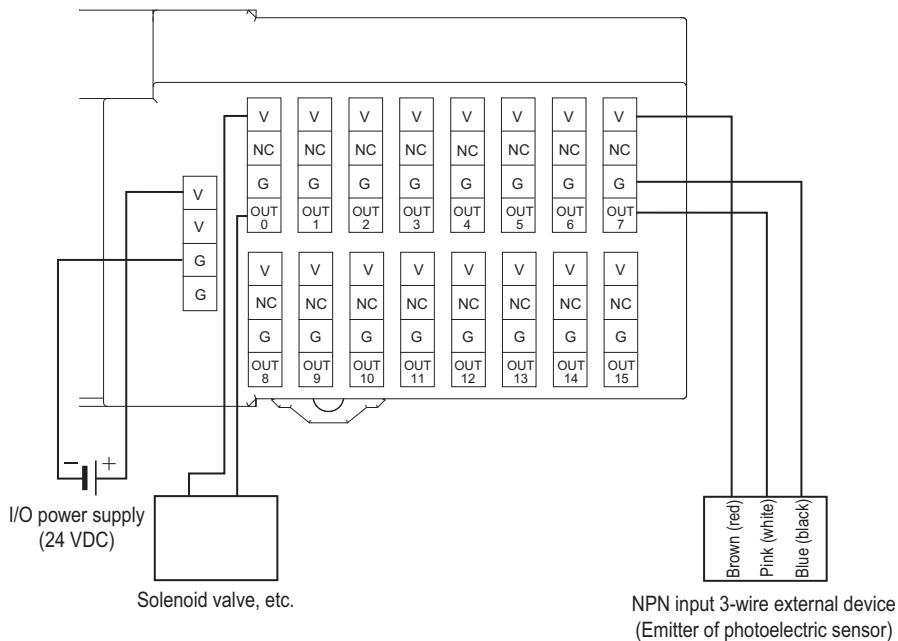


● GX-OD1628 (PNP)

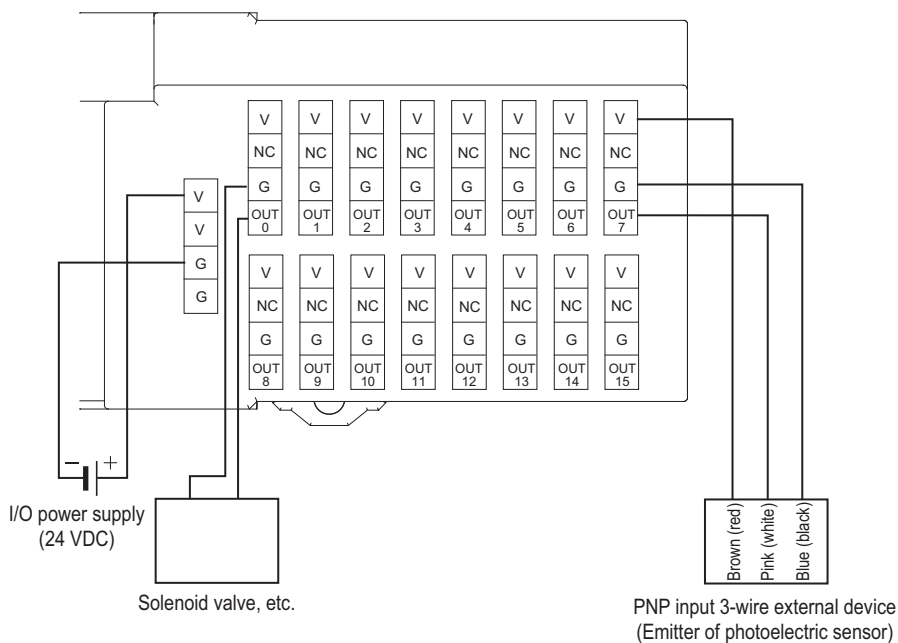


Wiring diagram

● GX-OD1618 (NPN)



● GX-OD1628 (PNP)





Precautions for Correct Use

- The I/O power supply connectors are equipped with two sets of V and G terminals. One set of terminals is used for the I/O power supply for the unit, and the other set is used for the I/O power supply to the next unit. Use a maximum current of 4 A per terminal.
 - When using an inductive load, such as a solenoid valve, either use a built-in diode for absorbing the counterelectromotive force or install an external diode. (Refer to "A-4 Wiring External Output Signal Lines" in Page A - 78.)
-



Reference

Wire colors have been changed according to revisions in the JIS standards for photoelectric and proximity sensors. The colors in parentheses are the wire colors prior to the revisions.

7-4-10 e-CON Connector Type 8-point Input and 8-point Output Slave Unit GX-MD1618/MD1628

Specification

● Common to input section and output section

Item	Specification	
	GX-MD1618	GX-MD1628
Internal I/O common	NPN	PNP
I/O indicators	LED display (yellow)	
Unit power supply current consumption	120 mA max. (for 20.4 to 26.4-VDC power supply voltage)	
e-CON connector insertion durability	50 times	
Weight	140 g max.	
Expansion functions	No	
Short-circuit protection function	Available at input section only (Operates at 50 mA/point min.)	

● Input section

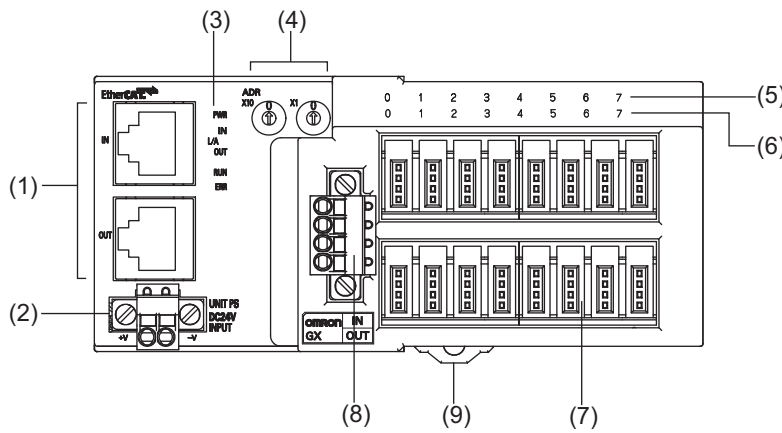
Item	Specification	
	GX-MD1618	GX-MD1628
Input capacity	8 points	
ON voltage	15 VDC min. (between each input terminal and the V terminal)	15 VDC min. (between each input terminal and the G terminal)
OFF voltage	5 VDC max. (between each input terminal and the V terminal)	5 VDC max. (between each input terminal and the G terminal)
OFF current	1.0 mA max.	
Input current	6.0 mA max./input (at 24-VDC) 3.0 mA max./input (at 17-VDC)	
ON delay	0.1 ms max.	
OFF delay	0.2 ms max.	
Input filter value	Without filter, 0.5 ms, 1 ms, 2 ms, 4 ms, 8 ms, 16 ms, 32 ms (Default setting: 1 ms)	
Number of circuits per common	8 points/common	
Isolation method	No-isolation	
I/O power supply method	Supplied from unit power supply	
Input device supply current	100 mA/point	
I/O power supply current consumption	10 mA max. (for 20.4 to 26.4-VDC power supply voltage)	

● Output section

Item	Specification	
	GX-MD1618	GX-MD1628
Output capacity	8 points	
Rated output current	0.5 A/output, 2.0 A/common	
Residual voltage	1.2 V max. (0.5 ADC, between each output terminal and the G terminal)	1.2 V max. (0.5 ADC, between each output terminal and the V terminal)
Leakage current	0.1 mA max.	
ON delay	0.5 ms max.	
OFF delay	1.5 ms max.	
Number of circuits per common	8 points/common	
Isolation method	Photocoupler isolation	
I/O power supply method	Supply by I/O power supply	
Output device supply current	100 mA/point	
I/O power supply current consumption	10 mA max. (for 20.4 to 26.4-VDC power supply voltage)	
Error Mode Output	Select either hold or clear.	

Notes For the I/O power supply current value to V and G terminals ,refer to "A-5 I/O Power Supply Current" in Page A - 79.

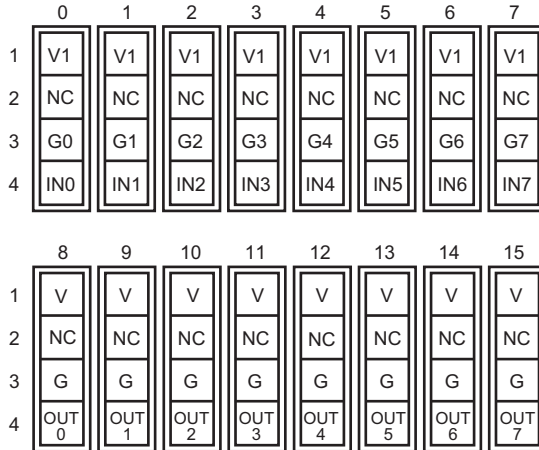
Names and functions



Terminal arrangement diagram

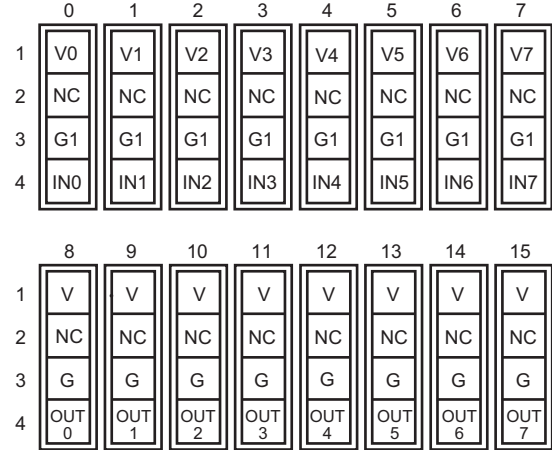
• GX-MD1618

Top side: input Bottom side: output



• GX-MD1628

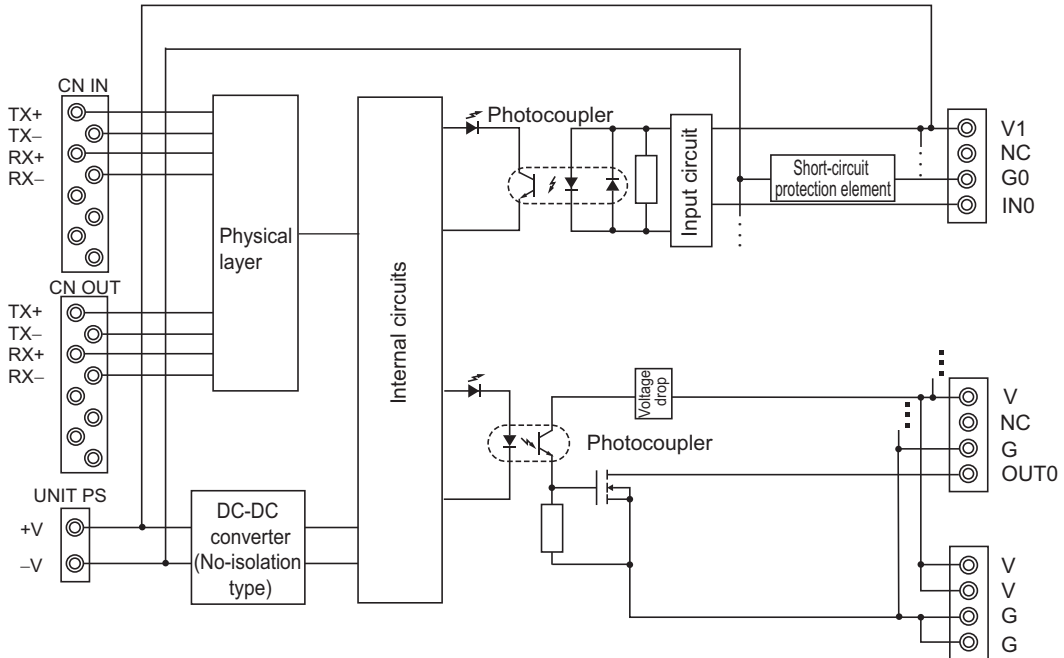
Top side: input Bottom side: output



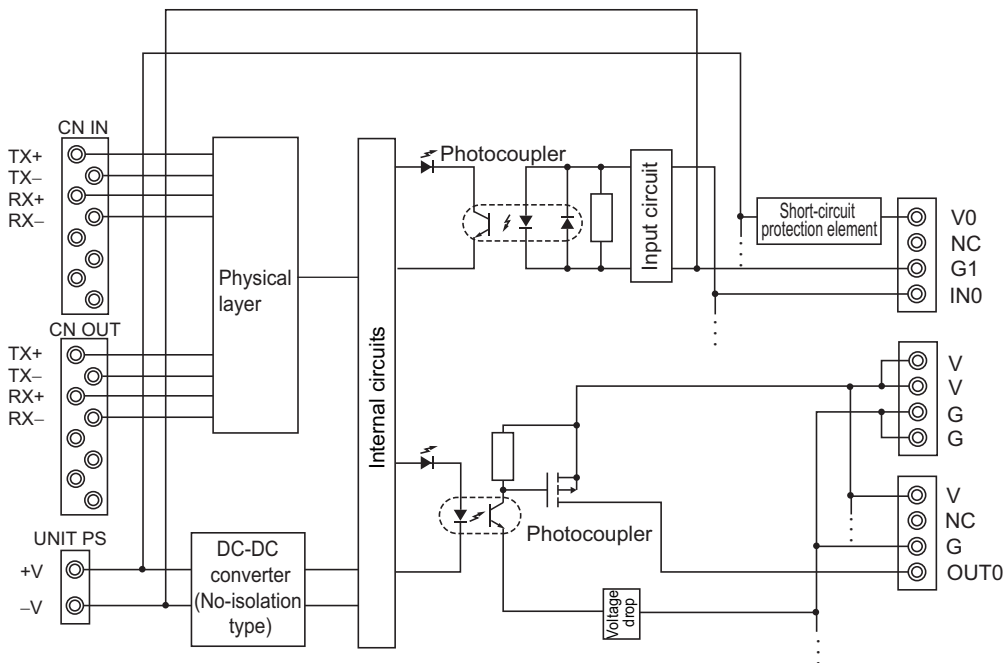
No.	Name	Function
(1)	Communications connectors	Refer to "6-3 Specifications of Common Areas" in Page 6 - 4.
(2)	Unit power supply connector	
(3)	Status indicators	
(4)	Node Address setting Switches	
(5)	Input indicators (0 to 7)	Indicates the state of an input contact (ON/OFF). Not lit: Contact OFF (input OFF state) Lit in yellow: Contact ON (input ON state)
(6)	Output indicators (0 to 7)	Indicates the state of an output contact (ON/OFF). Not lit: Contact OFF (output OFF state) Lit in yellow: Contact ON (output ON state)
(7)	I/O connectors (0 to 15)	Connects an external device. <Top side> For input device <Bottom side> For output device
(8)	I/O power supply connector	Supplies the I/O power. (For output device)
(9)	DIN track mounting hook	Fixes a Slave Unit to a DIN track.

Internal circuits diagram

● GX-MD1618 (NPN)

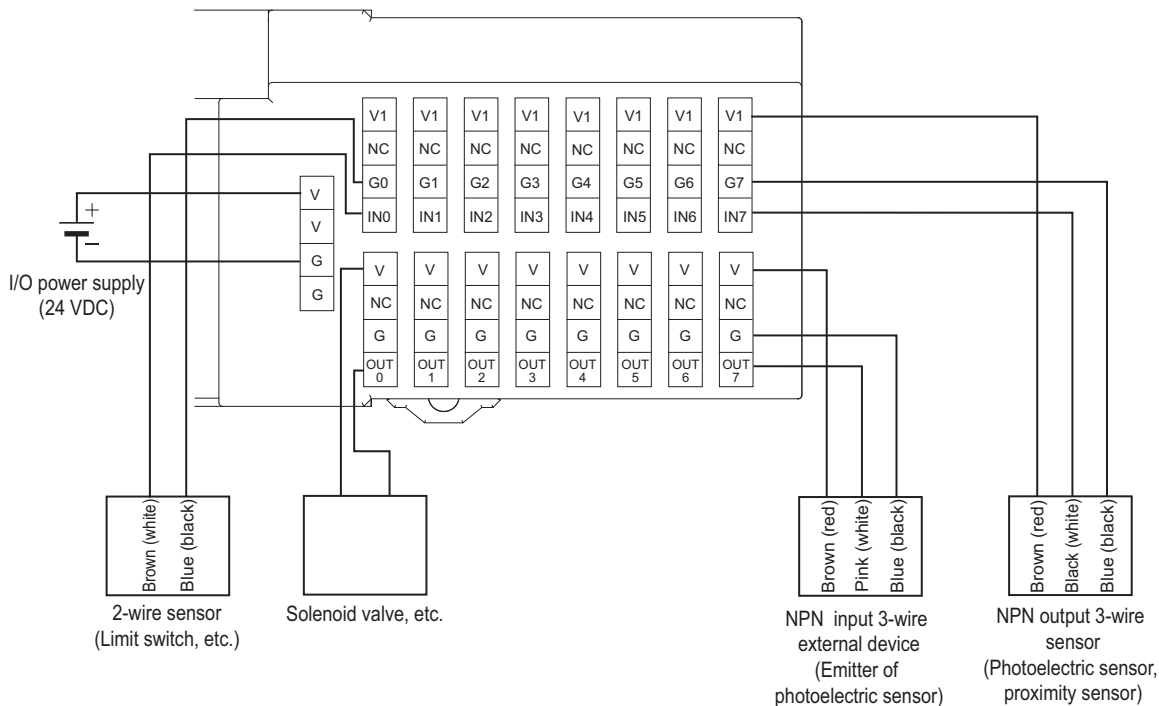


● GX-MD1628 (PNP)

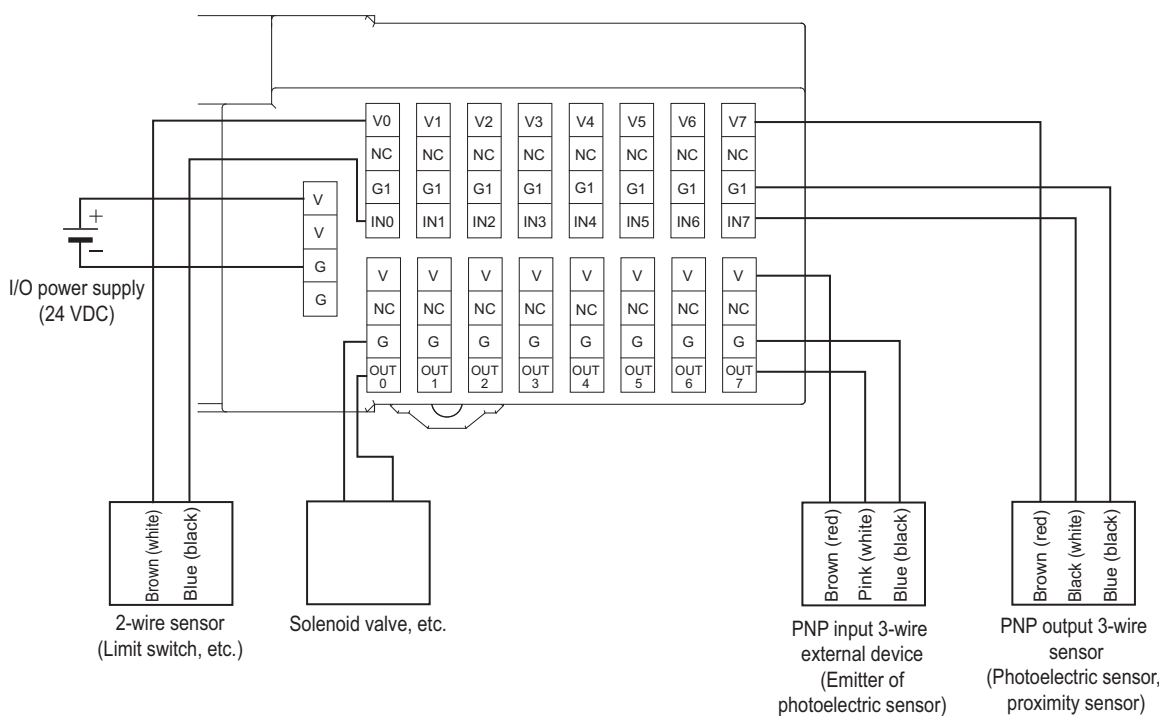


Wiring diagram

● GX-MD1618 (NPN)



● GX-MD1628 (PNP)



7-4 Specifications for Each Slave Unit

7

7-4-10 e-CON Connector Type 8-point Input and 8-point Output Slave Unit
GX-MD1618/MD1628



Precautions for Correct Use

- The I/O power supply connectors are equipped with two sets of V and G terminals. One set of terminals is used for the I/O power supply for the unit, and the other set is used for the I/O power supply to the next unit. Use a maximum current of 4 A per terminal.
 - When using an inductive load, such as a solenoid valve, either use a built-in diode for absorbing the counterelectromotive force or install an external diode. (Refer to "A-4 Wiring External Output Signal Lines" in Page A - 78.)
-



Reference

Wire colors have been changed according to revisions in the JIS standards for photoelectric and proximity sensors. The colors in parentheses are the wire colors prior to the revisions.

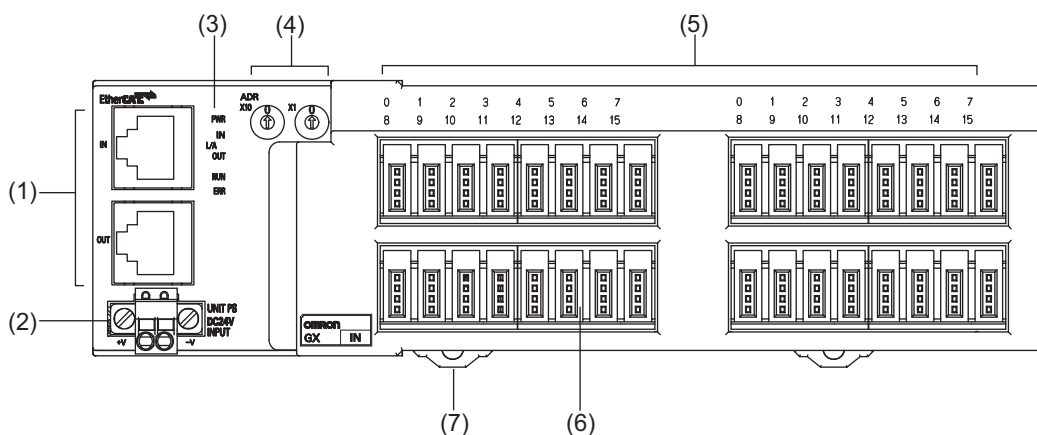
7-4-11 e-CON Connector Type 32-point Input Slave Unit GX-ID3218/ID3228

Specification

Item	Specification	
	GX-ID3218	GX-ID3228
Input capacity	32 points	
Internal I/O common	NPN	PNP
ON voltage	15 VDC min. (between each input terminal and the V terminal)	15 VDC min. (between each input terminal and the G terminal)
OFF voltage	5 VDC max. (between each input terminal and the V terminal)	5 VDC max. (between each input terminal and the G terminal)
OFF current	1.0 mA max.	
Input current	6.0 mA max./input (at 24-VDC) 3.0 mA max./input (at 17-VDC)	
ON delay	0.1 ms max.	
OFF delay	0.2 ms max.	
Input filter value	Without filter, 0.5 ms, 1 ms, 2 ms, 4 ms, 8 ms, 16 ms, 32 ms (Default setting: 1 ms)	
Number of circuits per common	32 points/common	
Input indicators	LED display (yellow)	
Isolation method	No isolation	
I/O power supply method	Supplied from unit power supply	
Input device supply current	50 mA/point	
Unit power supply current consumption	230 mA max. (for 20.4 to 26.4-VDC power supply voltage)	
e-CON connector insertion durability	50 times	
Weight	220 g max.	
Expansion functions	No	
Short-circuit protection function	Available (Operates at 50 mA/point min.)	

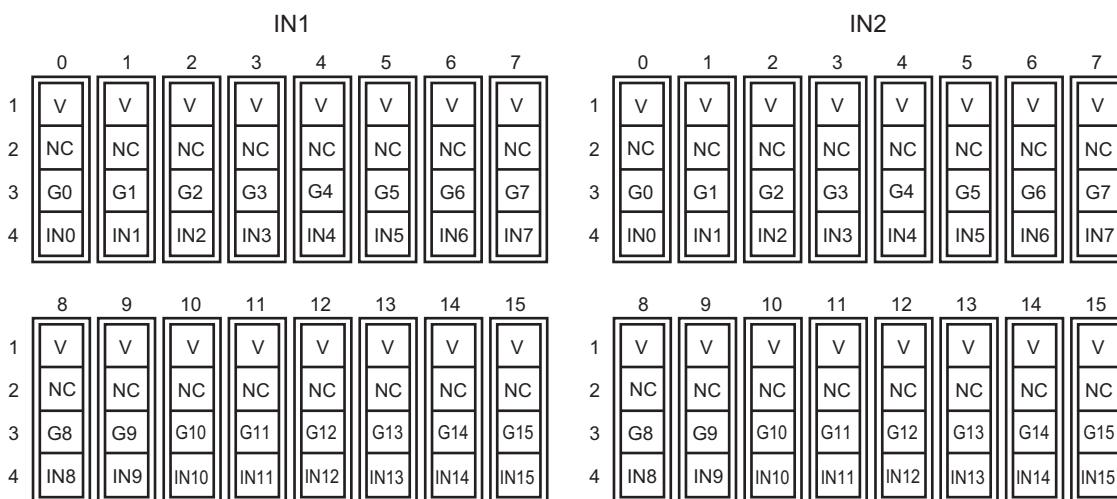
Notes For the I/O power supply current value to V and G terminals, refer to "A-5 I/O Power Supply Current" in Page A - 79.

Names and functions

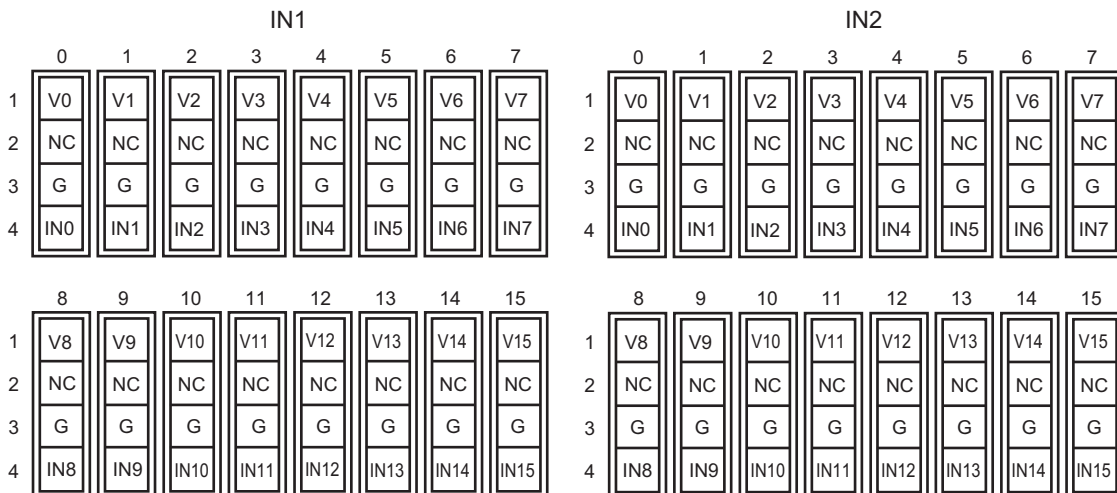


● Terminal arrangement diagram

- GX-ID3218



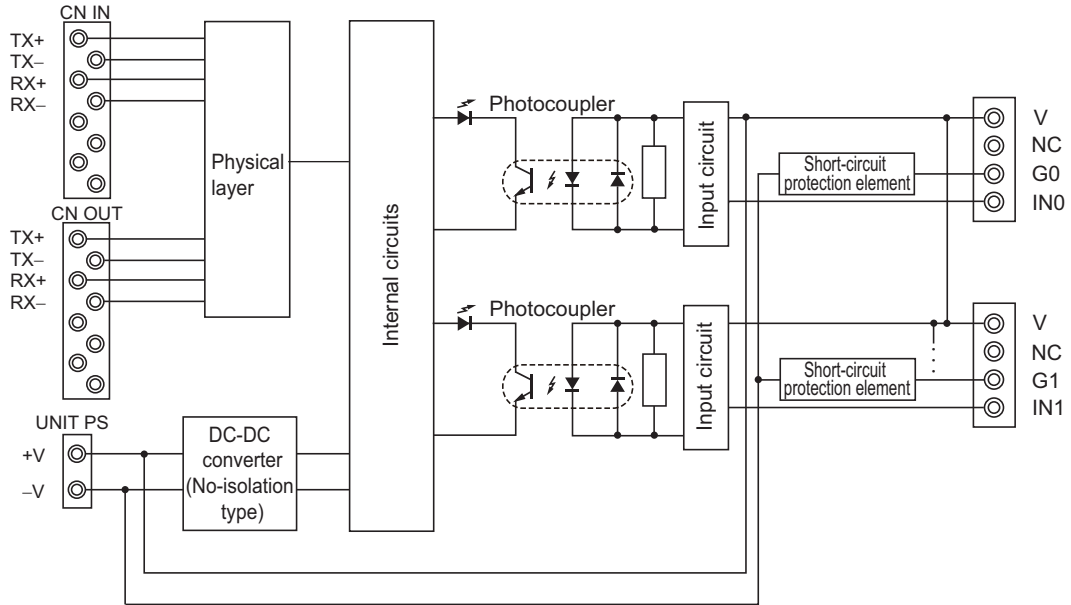
- GX-ID3228



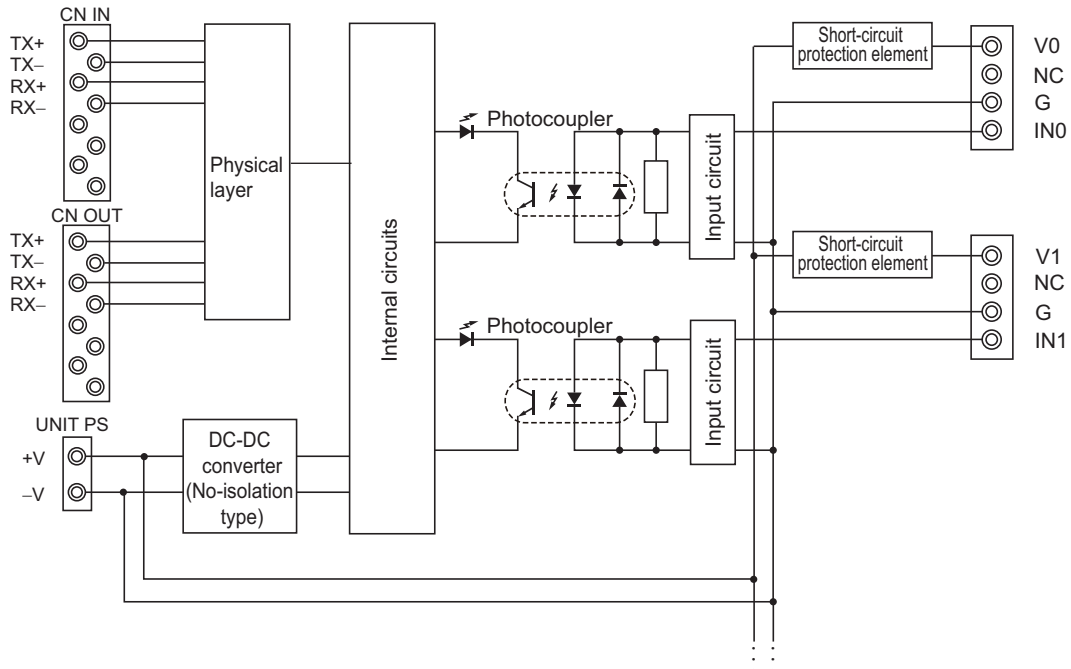
No.	Name	Function
(1)	Communications connectors	Refer to "6-3 Specifications of Common Areas" in Page 6 - 4.
(2)	Unit power supply connector	
(3)	Status indicators	
(4)	Node Address setting Switches	
(5)	Input indicators (IN1 0 to 15, IN2 0 to 15)	Indicates the state of an input contact (ON/OFF). Not lit: Contact OFF (input OFF state) Lit in yellow: Contact ON (input ON state)
(6)	I/O connectors (0 to 15 × 2)	Connects an external device.
(7)	DIN track mounting hook	Fixes a Slave Unit to a DIN track.

Internal circuits diagram

● GX-ID3218 (NPN)

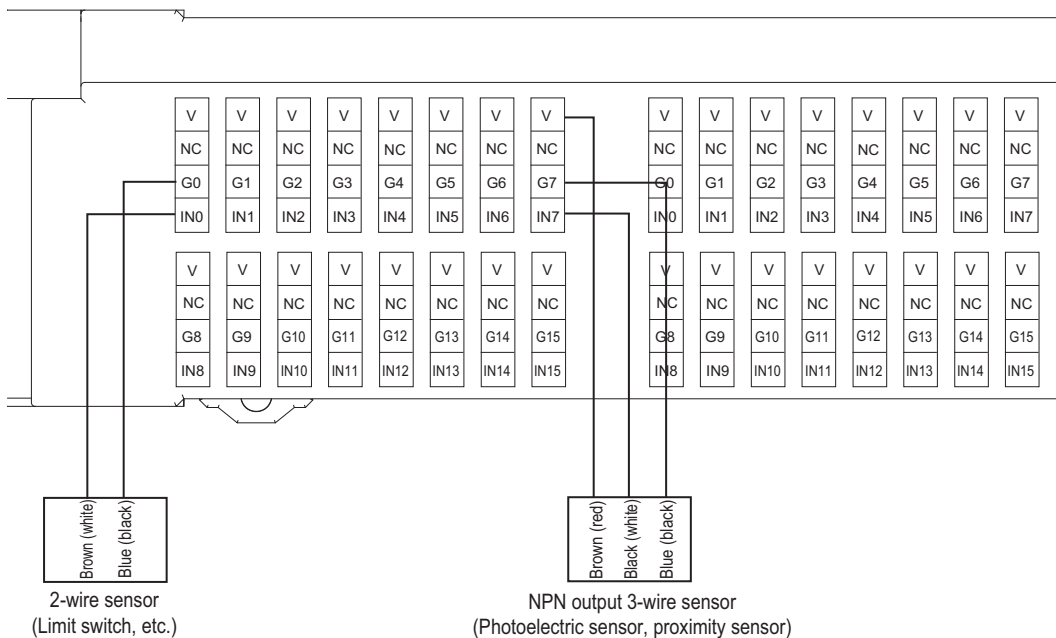


● GX-ID3228 (PNP)

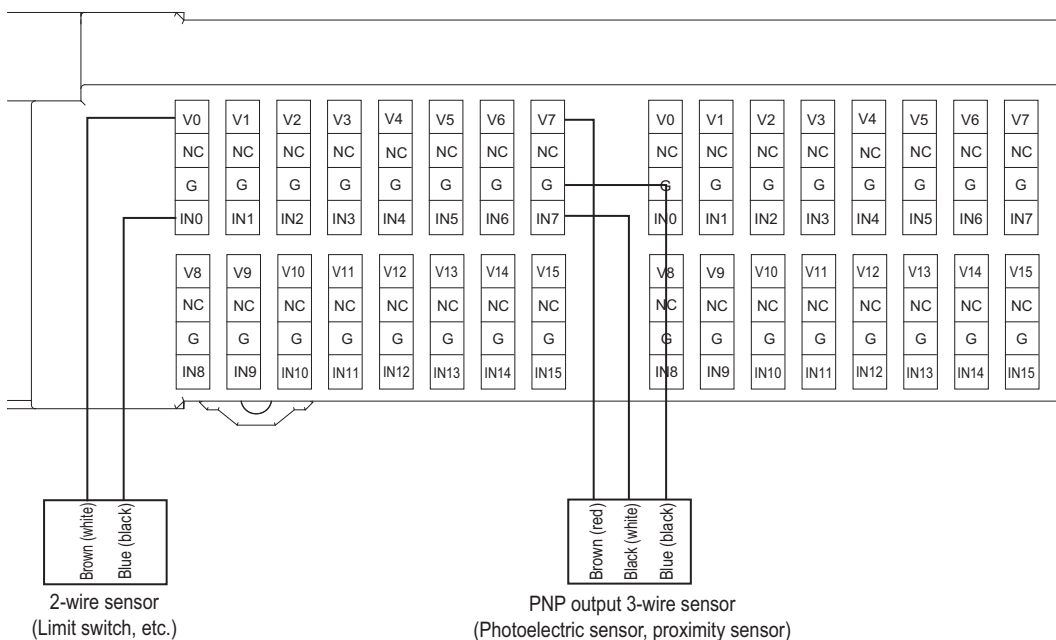


Wiring diagram

● GX-ID3218 (NPN)



● GX-ID3228 (PNP)



Reference

Wire colors have been changed according to revisions in the JIS standards for photoelectric and proximity sensors. The colors in parentheses are the wire colors prior to the revisions.

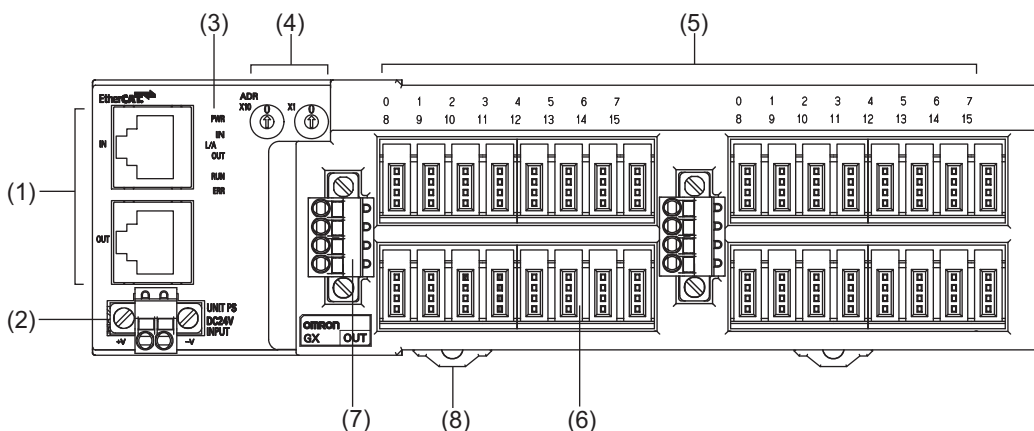
7-4-12 e-CON Connector Type 32-point Output Slave Unit GX-OD3218/OD3228

Specification

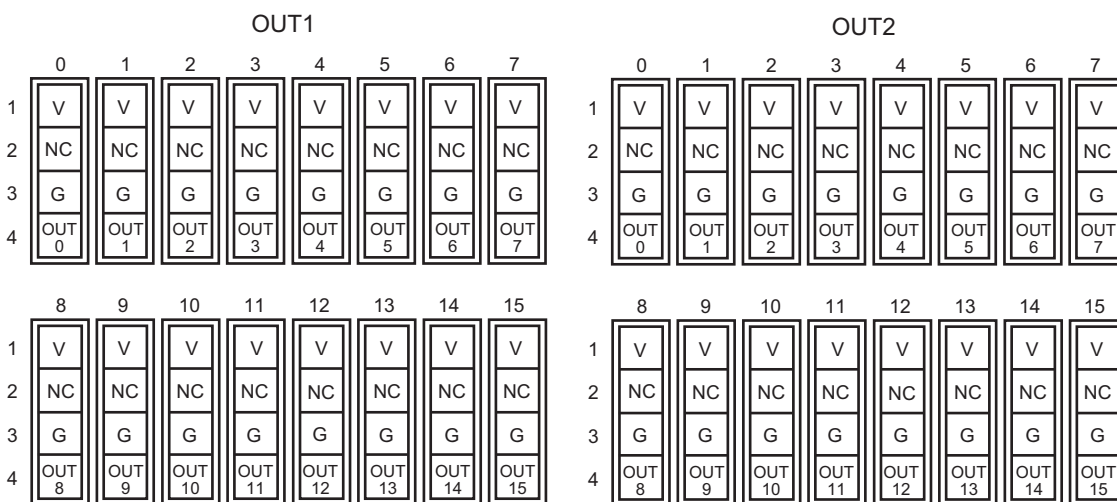
Item	Specification	
	GX-OD3218	GX-OD3228
Output capacity	32 points	
Rated current (ON current)	0.5 A/output, 4.0 A/common	
Internal I/O common	NPN	PNP
Residual voltage	1.2 V max. (0.5 ADC, between each output terminal and the G terminal)	1.2 V max. (0.5 ADC, between each output terminal and the V terminal)
Leakage current	0.1 mA max.	
ON delay	0.5 ms max.	
OFF delay	1.5 ms max.	
Number of circuits per common	16 points/common	
Output indicators	LED display (yellow)	
Isolation method	Photocoupler isolation	
I/O power supply method	Supply by I/O power supply	
Output device supply current	100 mA/point	
Unit power supply current consumption	100 mA max. (for 20.4 to 26.4-VDC power supply voltage)	
Current consumption from I/O power supply	10 mA max. (for power supply voltage of 20.4 to 26.4 VDC)	
e-CON connector insertion durability	50 times	
Weight	210 g max.	
Expansion functions	No	
Error Mode Output	Select either hold or clear.	
Short-circuit protection function	No	

Notes For the I/O power supply current value to V and G terminals ,refer to "A-5 I/O Power Supply Current" in Page A - 79.

Names and functions



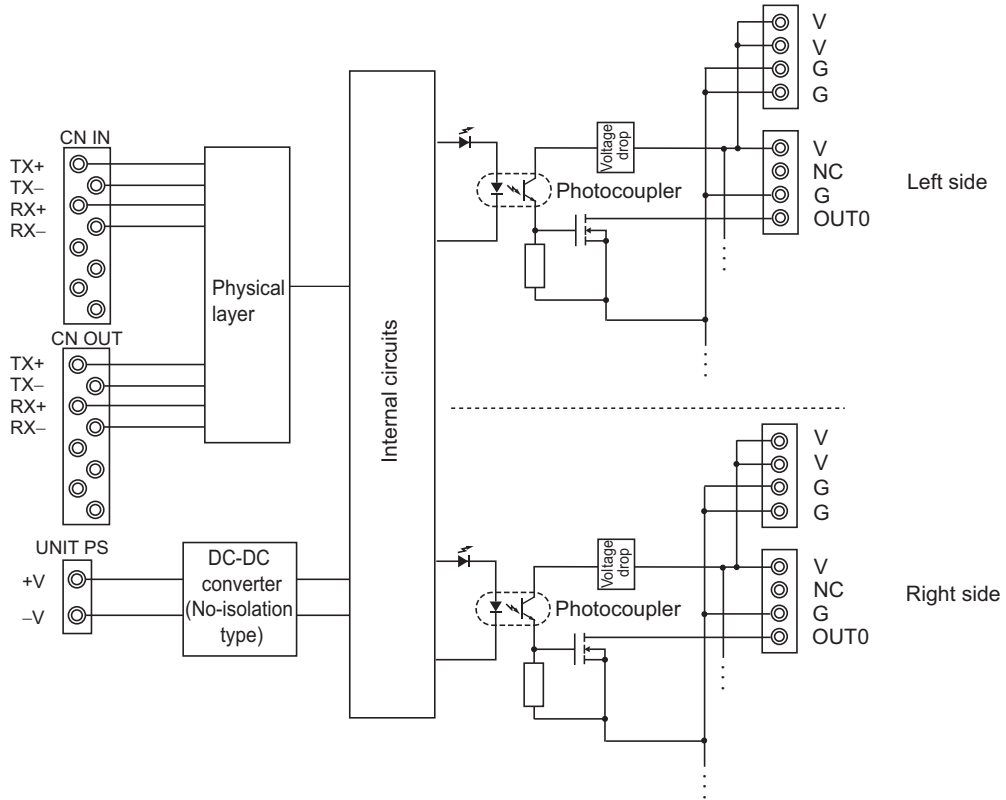
Terminal arrangement diagram



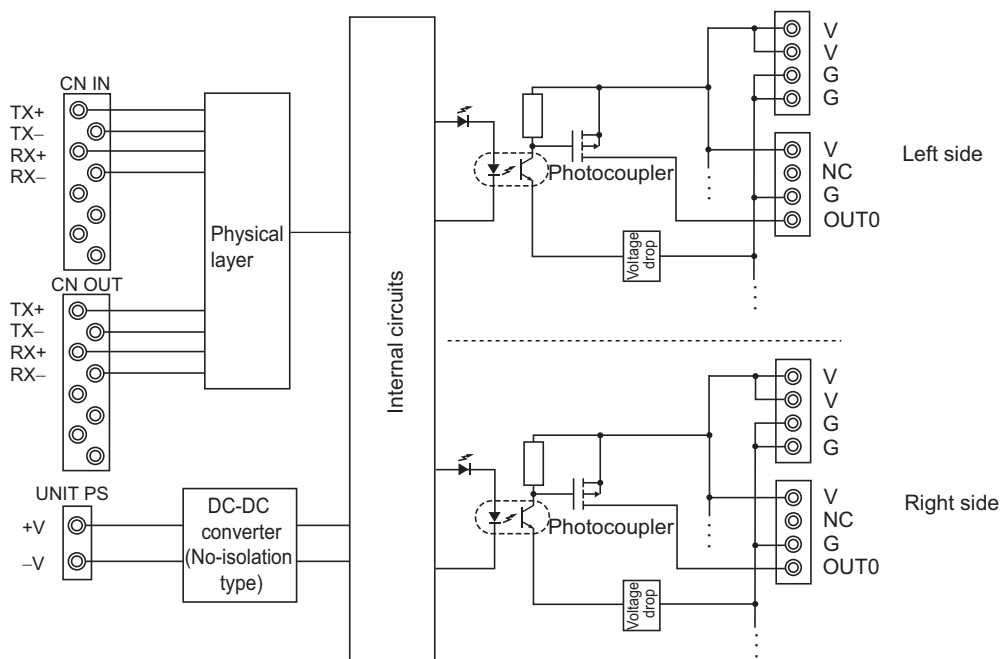
No.	Name	Function
(1)	Communications connectors	Refer to "6-3 Specifications of Common Areas" in Page 6 - 4.
(2)	Unit power supply connector	
(3)	Status indicators	
(4)	Node Address setting Switches	
(5)	Output indicators (OUT1 0 to 15, OUT2 0 to 15)	Indicates the state of an output contact (ON/OFF). Not lit: Contact OFF (output OFF state) Lit in yellow: Contact ON (output ON state)
(6)	I/O connectors (0 to 15 × 2)	Connects an external device.
(7)	I/O power supply connectors (× 2)	Supplies the I/O power.
(8)	DIN track mounting hook	Fixes a Slave Unit to a DIN track.

Internal circuits diagram

● GX-OD3218 (NPN)

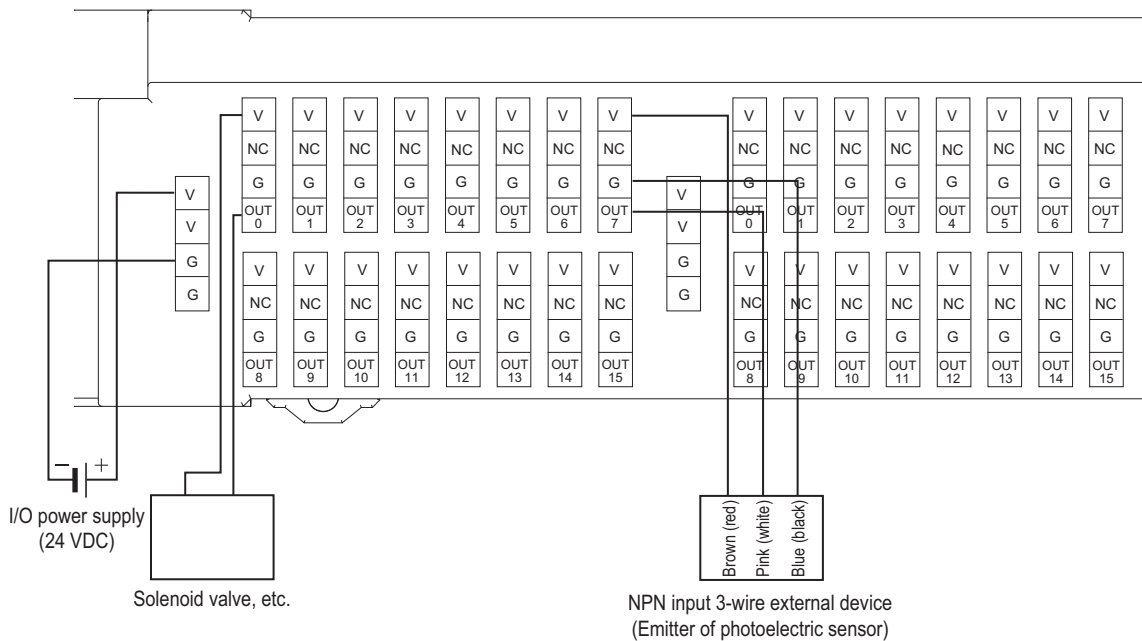


● GX-OD3228 (PNP)

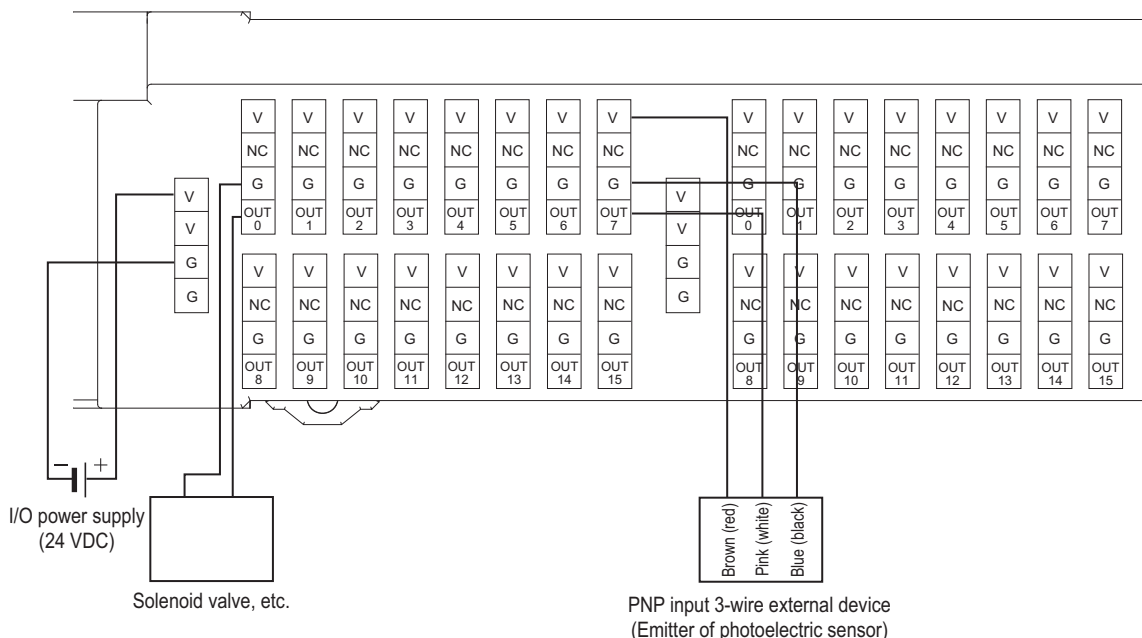


Wiring diagram

● GX-OD3218 (NPN)



● GX-OD3228 (PNP)





Precautions for Correct Use

- The I/O power supply connectors on the left and right are equipped with two sets of V and G terminals. One set of terminals is used for the I/O power supply for the unit, and the other set is used for the I/O power supply to the next unit. Use a maximum current of 4 A per terminal.
 - When using an inductive load, such as a solenoid valve, either use a built-in diode for absorbing the counterelectromotive force or install an external diode. (Refer to "A-4 Wiring External Output Signal Lines" in Page A - 78.)
-



Reference

Wire colors have been changed according to revisions in the JIS standards for photoelectric and proximity sensors. The colors in parentheses are the wire colors prior to the revisions.

7-4-13 e-CON Connector Type 16-point Input and 16-point Output Slave Unit GX-MD3218/MD3228

Specification

● Common to input section and output section

Item	Specification	
	GX-MD3218	GX-MD3228
Internal I/O common	NPN	PNP
I/O indicators	LED display (yellow)	
Unit power supply current consumption	150 mA max. (for 20.4 to 26.4-VDC power supply voltage)	
e-CON connector insertion durability	50 times	
Weight	220 g max.	
Expansion functions	No	
Short-circuit protection function	Available at input section only (Operates at 50 mA/point min.)	

● Input section

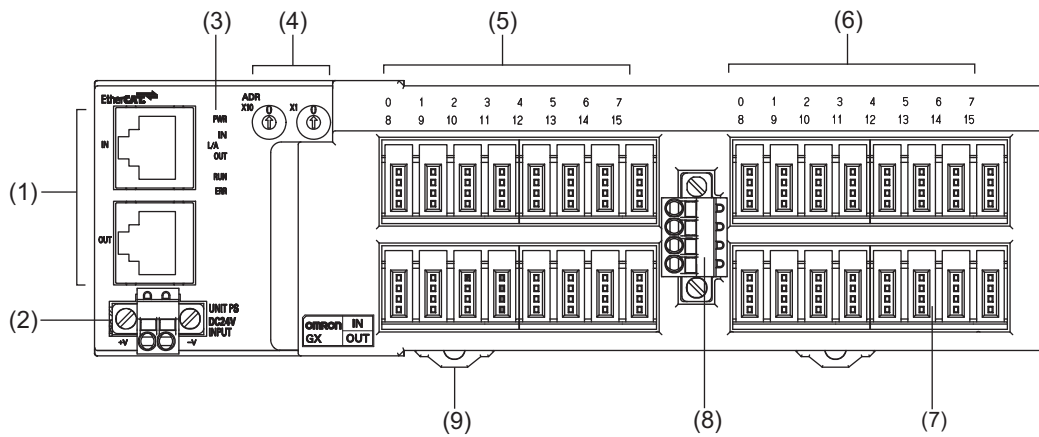
Item	Specification	
	GX-MD3218	GX-MD3228
Input capacity	16 points	
ON voltage	15 VDC min. (between each input terminal and the V terminal)	15 VDC min. (between each input terminal and the G terminal)
OFF voltage	5 VDC max. (between each input terminal and the V terminal)	5 VDC max. (between each input terminal and the G terminal)
OFF current	1.0 mA max.	
Input current	6.0 mA max./input (at 24-VDC) 3.0 mA max./input (at 17-VDC)	
ON delay	0.1 ms max.	
OFF delay	0.2 ms max.	
Input filter value	Without filter, 0.5 ms, 1 ms, 2 ms, 4 ms, 8 ms, 16 ms, 32 ms (Default setting: 1 ms)	
Number of circuits per common	16 points/common	
Isolation method	No-isolation	
I/O power supply method	Supplied from unit power supply	
Input device supply current	100 mA/point	
I/O power supply current consumption	10 mA max. (for 20.4 to 26.4-VDC power supply voltage)	

● Output section

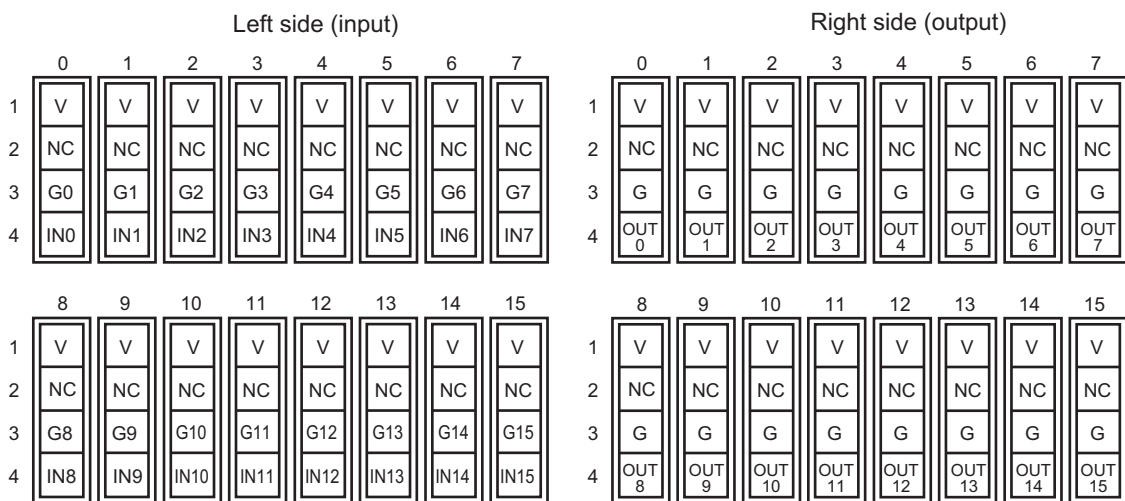
Item	Specification	
	GX-MD3218	GX-MD3228
Output capacity	16 points	
Rated output current	0.5 A/output, 2.0 A/common	
Residual voltage	1.2 V max. (0.5 ADC, between each output terminal and the G terminal)	1.2 V max. (0.5 ADC, between each output terminal and the V terminal)
Leakage current	0.1 mA max.	
ON delay	0.5 ms max.	
OFF delay	1.5 ms max.	
Number of circuits per common	16 points/common	
Isolation method	Photocoupler isolation	
I/O power supply method	Supply by I/O power supply	
Output device supply current	100 mA/point	
I/O power supply current consumption	10 mA max. (for 20.4 to 26.4-VDC power supply voltage)	
Error Mode Output	Select either hold or clear.	

Notes For the I/O power supply current value to V and G terminals ,refer to "A-5 I/O Power Supply Current" in Page A - 79.

Names and functions



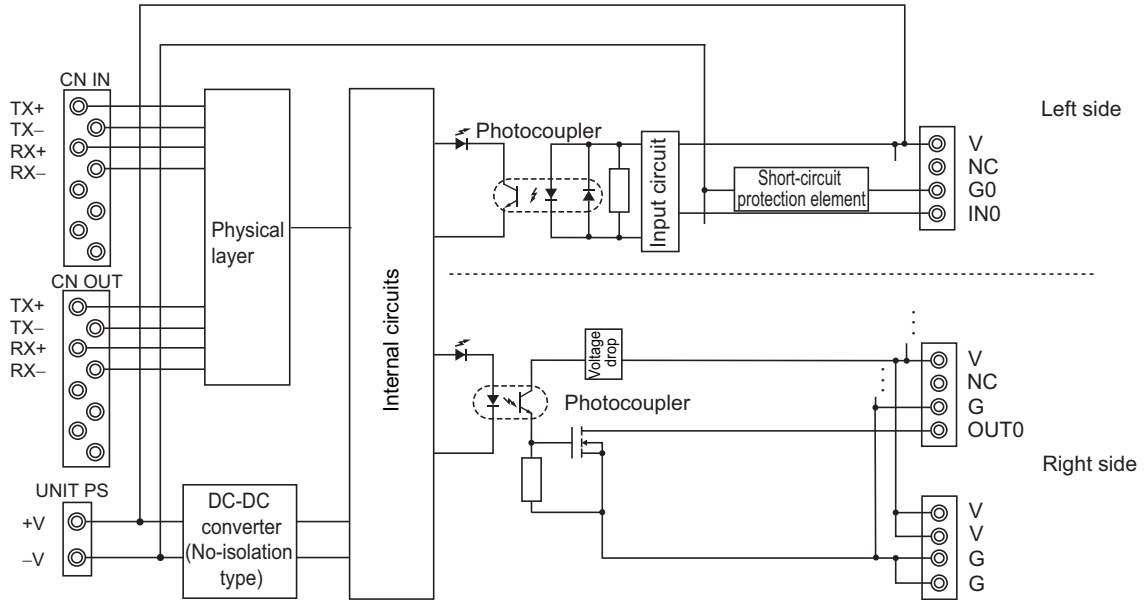
● Terminal arrangement diagram



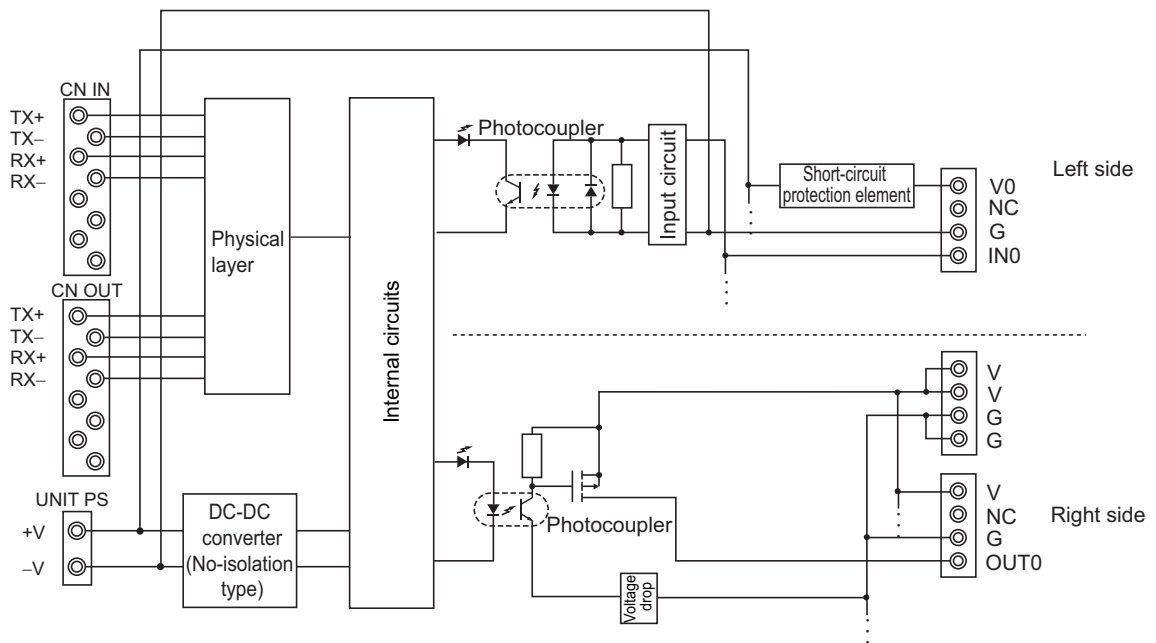
No.	Name	Function
(1)	Communications connectors	Refer to "6-3 Specifications of Common Areas" in Page 6 - 4.
(2)	Unit power supply connector	
(3)	Status indicators	
(4)	Node Address setting Switches	
(5)	Input indicators (0 to 15)	Indicates the state of an input contact (ON/OFF). Not lit: Contact OFF (input OFF state) Lit in yellow: Contact ON (input ON state)
(6)	Output indicators (0 to 15)	Indicates the state of an output contact (ON/OFF). Not lit: Contact OFF (output OFF state) Lit in yellow: Contact ON (output ON state)
(7)	I/O connectors (1 to 16 × 2)	Connects an external device. <Left side> For input device <Right side> For output device
(8)	I/O power supply connector	Supplies the I/O power. (For output device)
(9)	DIN track mounting hook	Fixes a Slave Unit to a DIN track.

Internal circuits diagram

● GX-MD3218 (NPN)

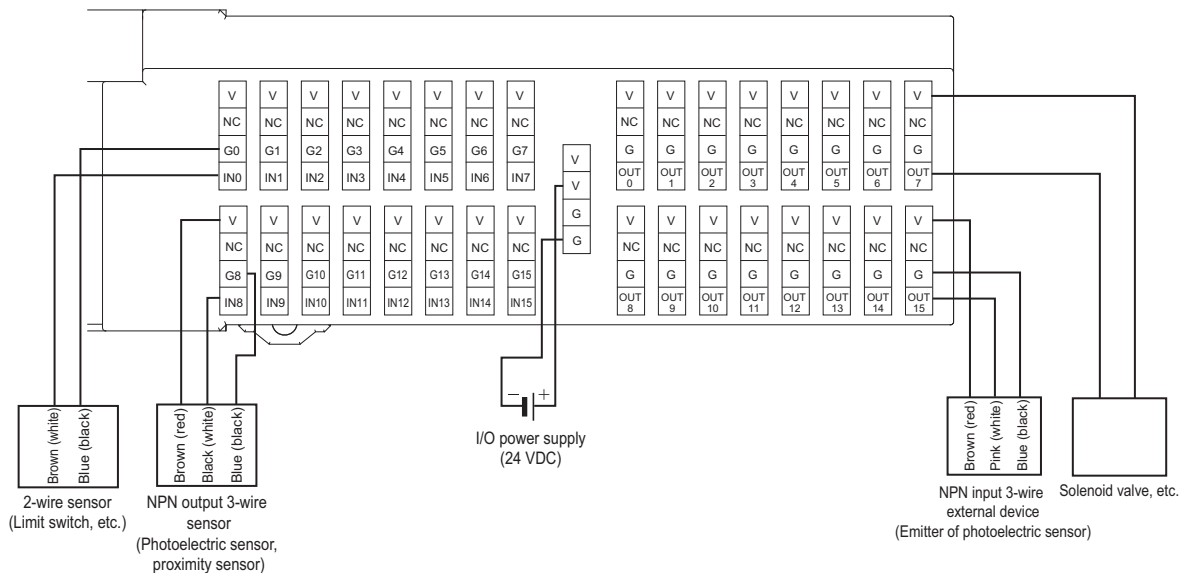


● GX-MD3228 (PNP)

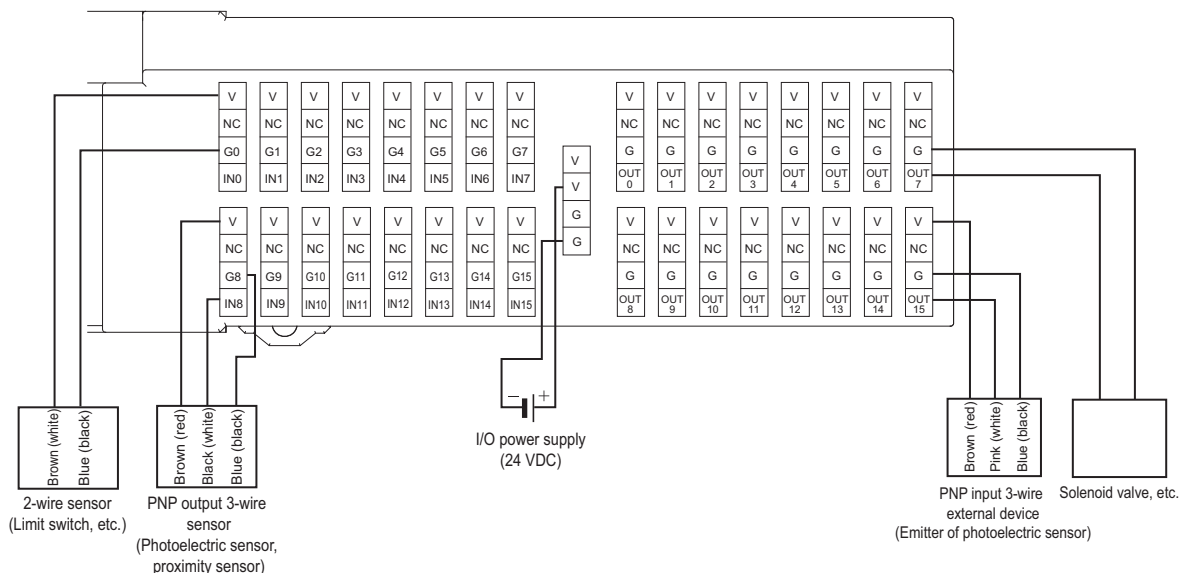


Wiring diagram

● GX-MD3218 (NPN)



● GX-MD3228 (PNP)





Precautions for Correct Use

- The I/O power supply connectors are equipped with two sets of V and G terminals. One set of terminals is used for the I/O power supply for the unit, and the other set is used for the I/O power supply to the next unit. Use a maximum current of 4 A per terminal.
 - When using an inductive load, such as a solenoid valve, either use a built-in diode for absorbing the counterelectromotive force or install an external diode. (Refer to "A-4 Wiring External Output Signal Lines" in Page A - 78.)
-



Reference

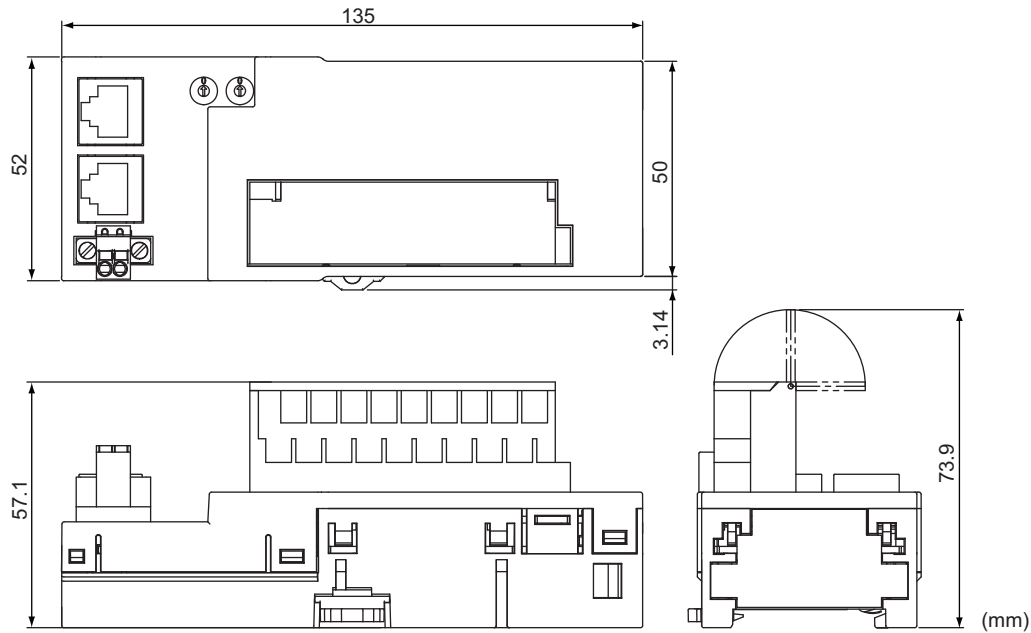
Wire colors have been changed according to revisions in the JIS standards for photoelectric and proximity sensors. The colors in parentheses are the wire colors prior to the revisions.

7-5 Mounting Dimensions

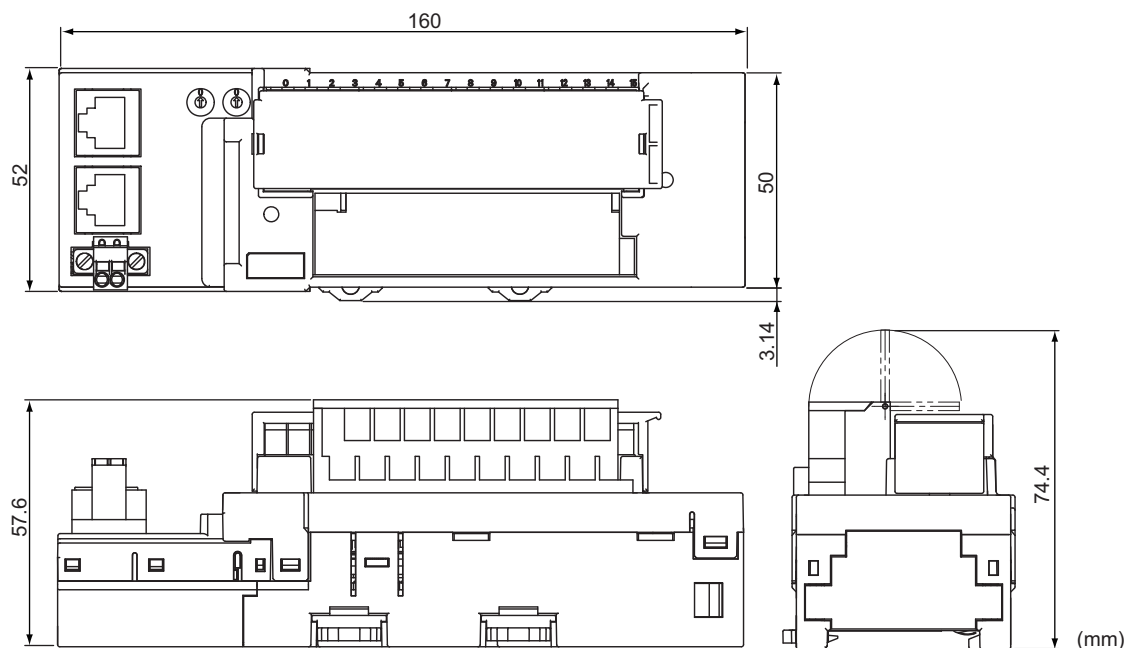
The mounting dimensions of a Digital I/O Slave Unit are shown below.

7-5-1 2-tier Terminal Block Type

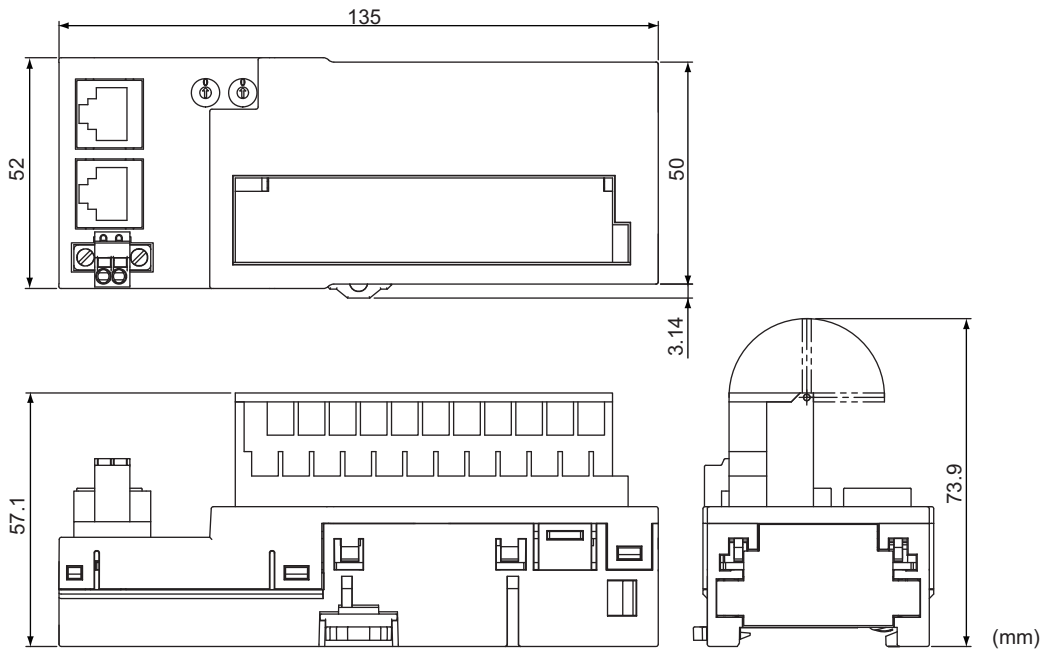
● GX-ID1611/ID1621/OD1611/OD1621



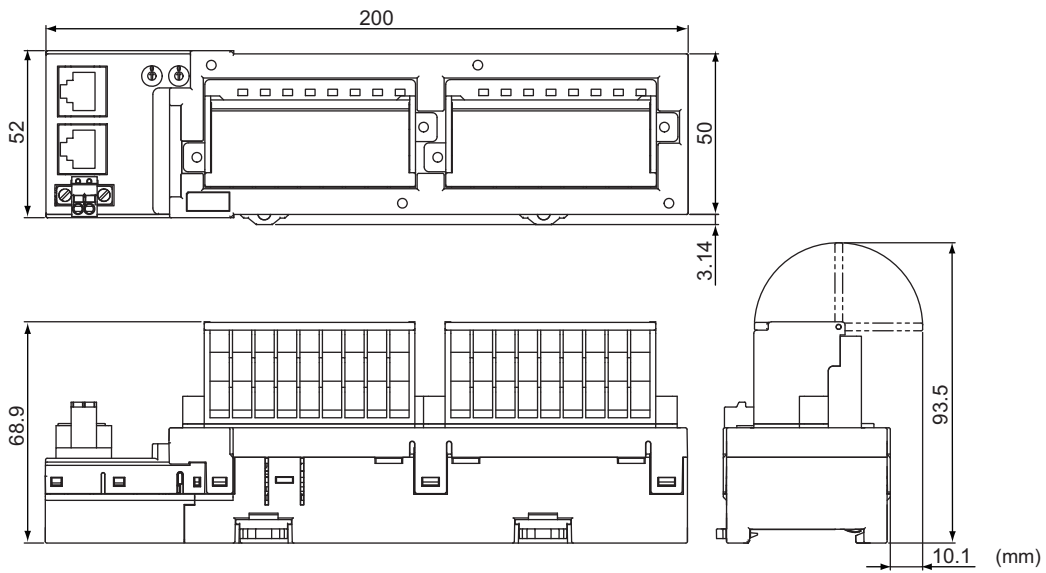
● GX-OC1601



● GX-MD1611/MD1621

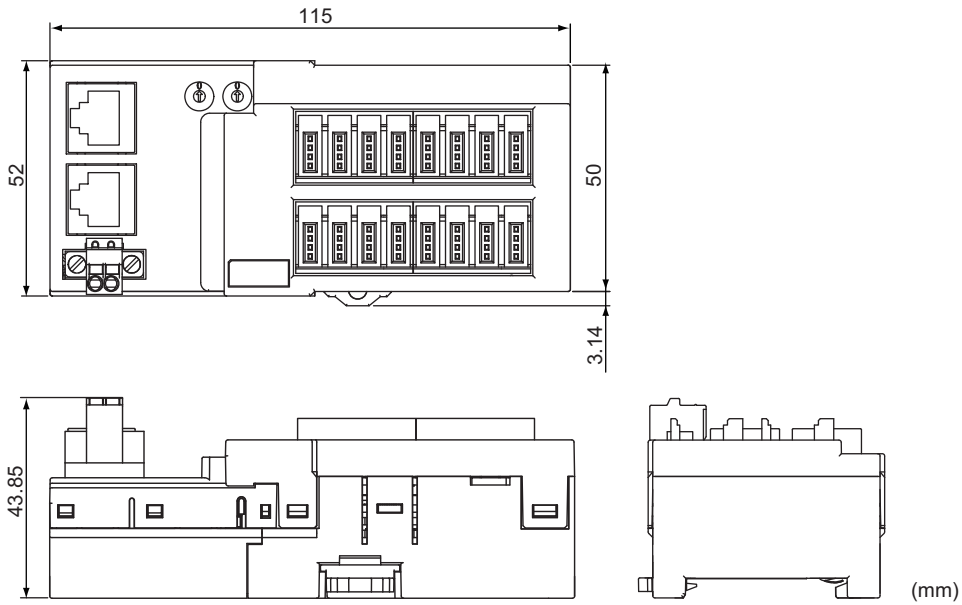


7-5-2 3-tier Terminal Block Type

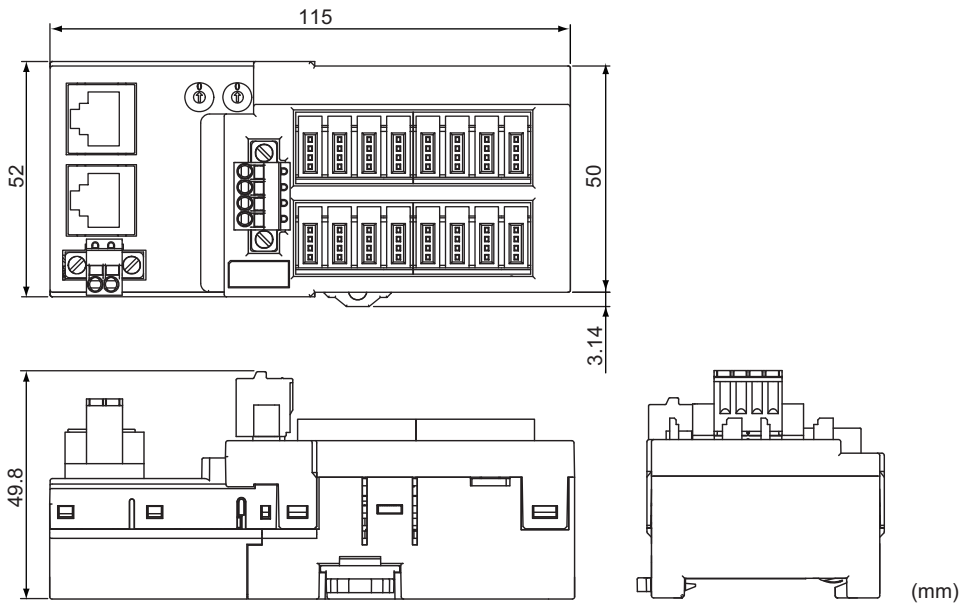


7-5-3 e-CON Connector Type

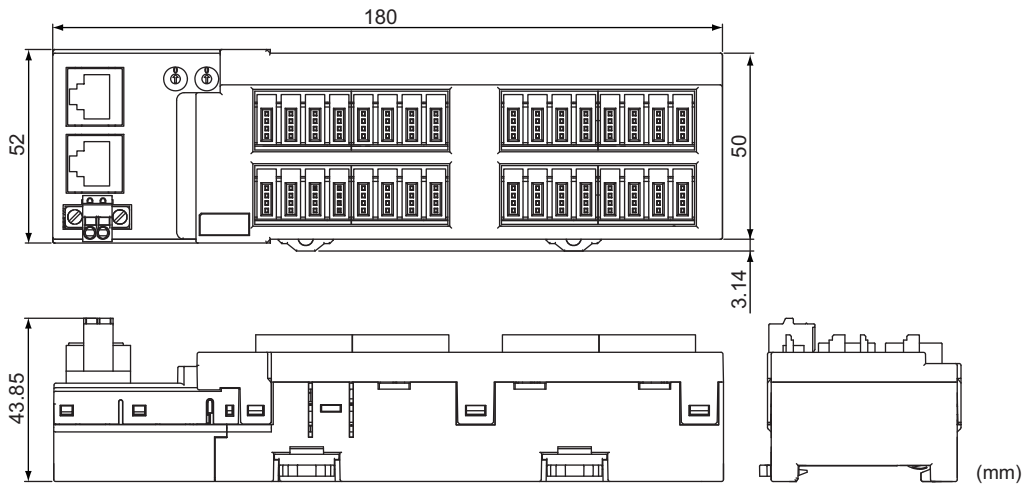
● **GX-ID1618/ID1628**



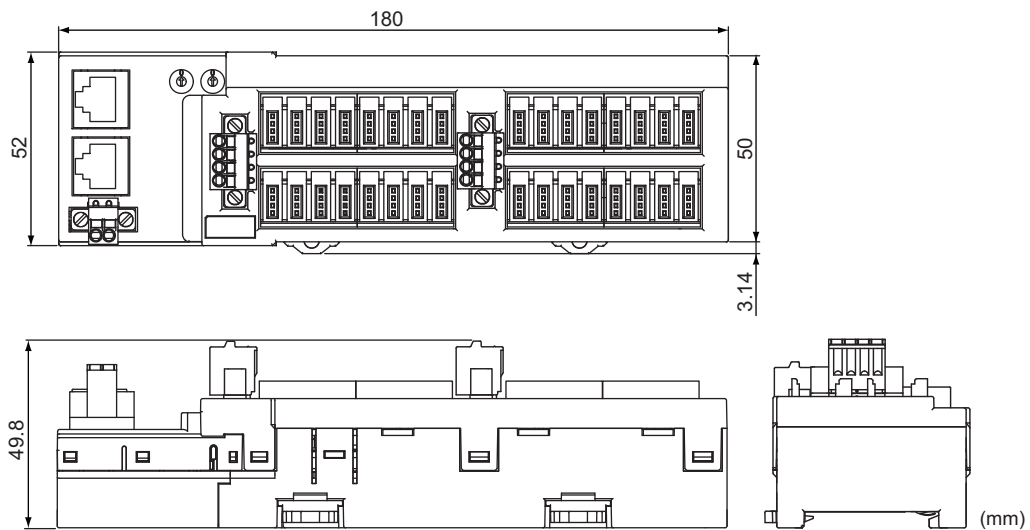
● **GX-OD1618/OD1628/MD1618/MD1628**



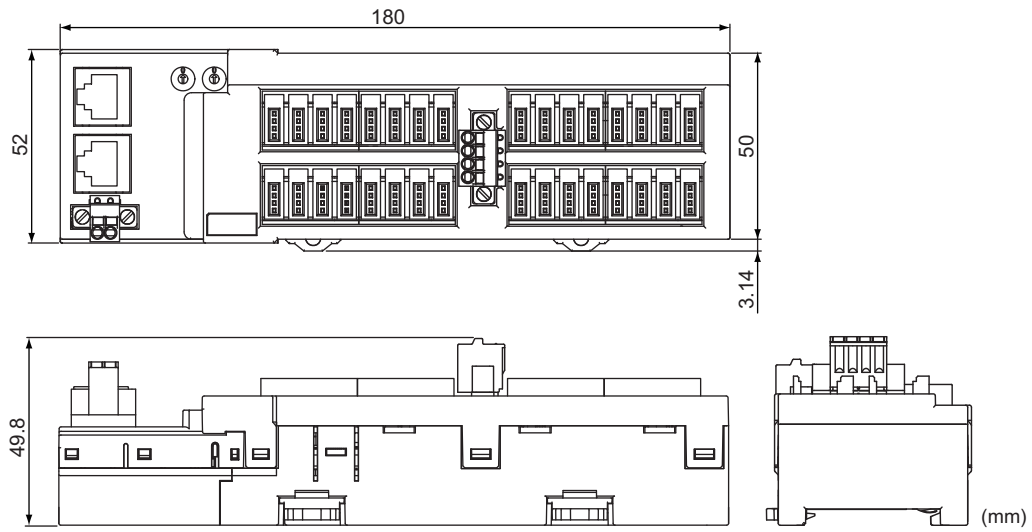
● GX-ID3218/ID3228



● GX-OD3218/OD3228



● GX-MD3218/MD3228



8

Analog I/O Slave Unit

This chapter explains the overview of the Analog I/O Slave Unit.

8-1	Analog I/O Slave Unit	8-2
8-2	Overview of the Analog Input Slave Unit	8-3
8-2-1	Input Range and Converted Data	8-3
8-2-2	I/O Data Allocation (PDO Mapping)	8-6
8-3	Function of the Analog Input Slave Unit	8-7
8-3-1	AD Conversion Available Point Setting	8-7
8-3-2	Moving Average	8-8
8-3-3	Disconnected Line Detection	8-10
8-3-4	User adjustment	8-10
8-4	Overview of the Analog Output Slave Unit	8-12
8-4-1	Output Range and Converted Data	8-12
8-4-2	I/O Data Allocation (PDO Mapping)	8-14
8-5	Function of the Analog Output Slave Unit	8-15
8-5-1	DA Conversion Available Point Setting	8-15
8-5-2	Analog Output Fault Action	8-16
8-5-3	User Adjustment	8-17
8-6	Overview of Each Slave Unit Type	8-18
8-6-1	4-point Input Slave Unit GX-AD0471	8-19
8-6-2	2-point Output Slave Unit GX-DA0271	8-23
8-7	Mounting Dimensions	8-27

8-1 Analog I/O Slave Unit

Analog I/O Slave Units refer to slaves with processing functions for analog I/O data (voltage value/current value).

Other functions of the Slave Unit include the Moving Average and User Adjustment.

8-2 Overview of the Analog Input Slave Unit

Analog Input Slave Unit convert (AD conversion) analog input signals such as 1 to 5 V and 4 to 20 mA to digital data (binary values) and store them in the EtherCAT Master Unit.

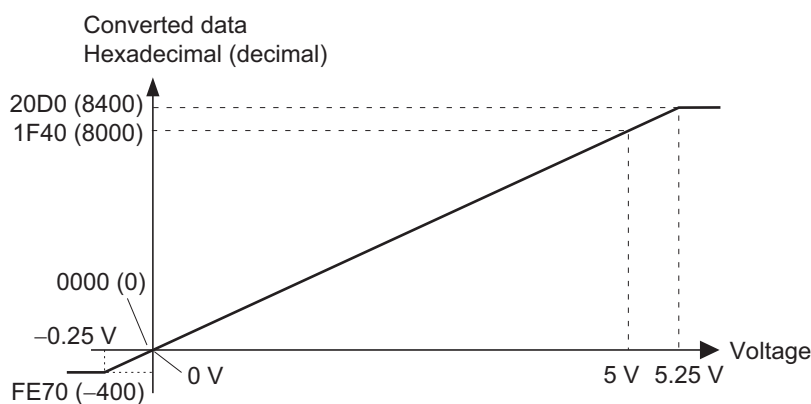
8-2-1 Input Range and Converted Data

Input analog signals are converted to digital data in the following manner using a set input range. If the input data exceeds the data range for which conversion is possible, the converted data is fixed to the maximum or minimum value of the range.

Input Range and Converted Data

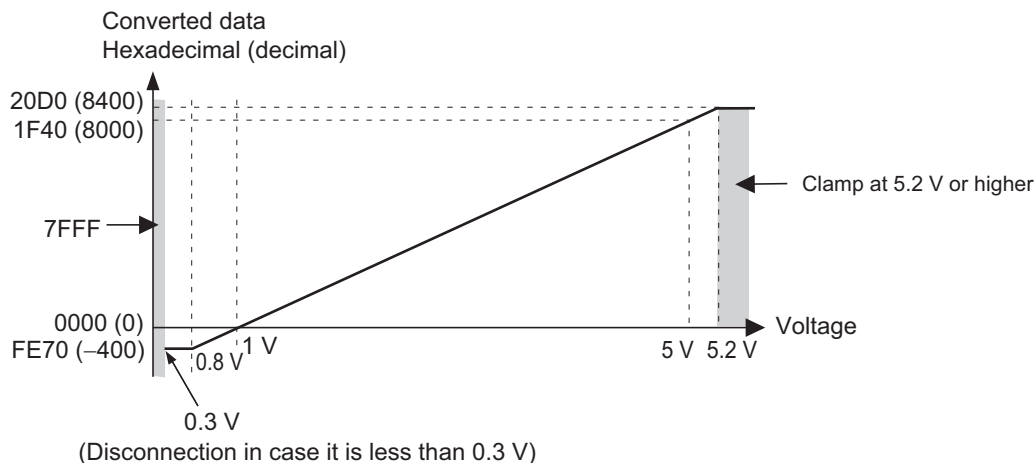
- **Input range 0 to 5 V**

Voltage of 0 to 5 V is converted to data from 0000 to 1F40 hex (0 to 8000). The input data range for which conversion is possible is -0.25 to 5.25 V and here the output data is FE70 to 20D0 hex (-400 to 8400). When input data is a negative voltage, it is expressed as the two's complement (hexadecimal) and the output data for a disconnected line is the same as for an input of 0 V (0000 hex).



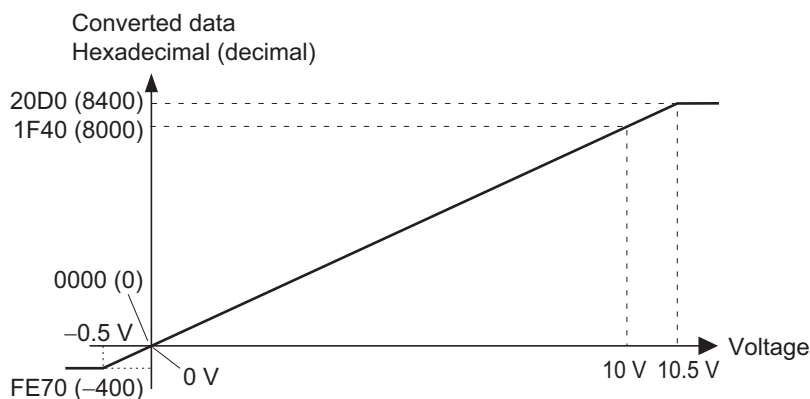
● **Input range 1 to 5 V**

Voltage of 1 to 5 V is converted to data from 0000 to 1F40 hex (0 to 8000). The input data range for which conversion is possible is 0.8 to 5.2 V and here the output data is FE70 to 20D0 hex (-400 to +8400). If the input voltage drops below the input range to lower than 0.3 V due to disconnection and so on, the disconnected line detection is activated and the data is set to 7FFF hex.



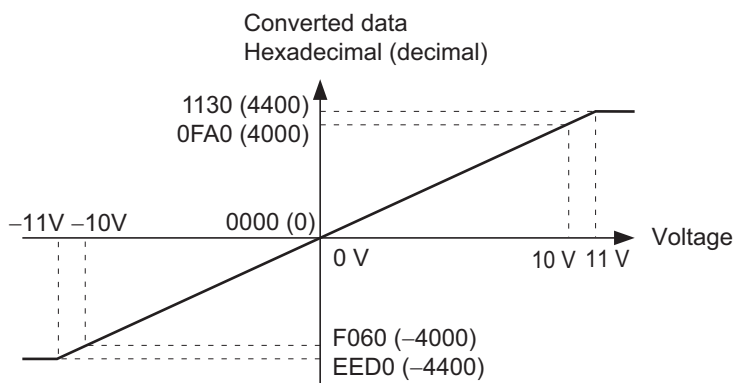
● **Input range 0 to 10 V**

Voltage of 0 to 10 V is converted to data from 0000 to 1F40 hex (0 to 8000). The input data range for which conversion is possible is -0.5 to 10.5 V and here the output data is FE70 to 20D0 hex (-400 to +8400). When input data is a negative voltage, it is expressed as the two's complement (hexadecimal) and the output data for a disconnected line is the same as for an input of 0 V (0000 hex).



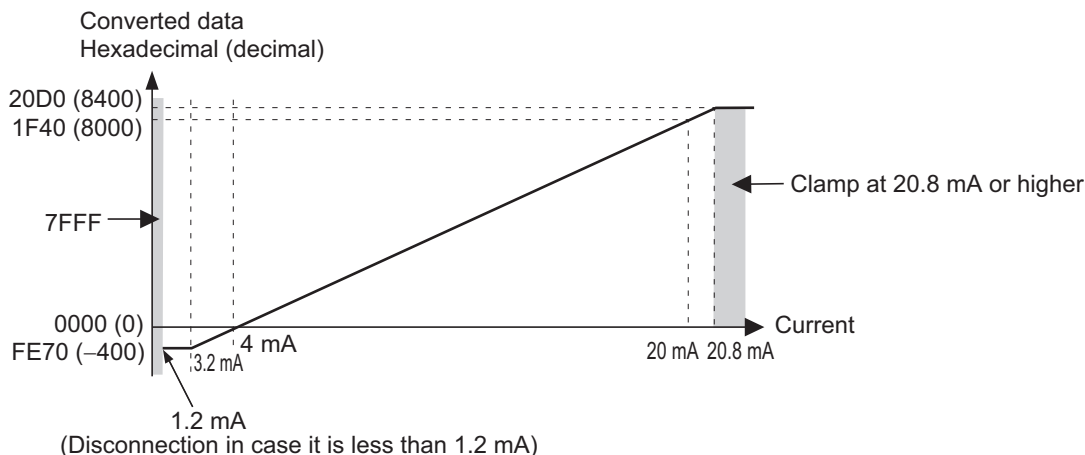
● Input range –10 to +10 V

Voltage of –10 to +10 V is converted to data from F060 to 0F40 hex (–4000 to +4000). The input data range for which conversion is possible is –11 to +11 V and here the output data is EED0 to 1130 hex (–4400 to +4400). When input data is a negative voltage, it is expressed as the two's complement (hexadecimal) and the output data for a disconnected line is the same as for an input of 0 V (0000 hex).



● Input range 4 to 20mA

Current of 4 to 20 mA is converted to data from 0000 to 1F40 hex (0 to 8000). The input data range for which conversion is possible is 3.2 to 20.8 mA and here the output data is FE70 to 20D0 hex (–400 to +8400). If the input current drops below the input range to lower than 1.2 mA due to disconnection and so on, the disconnected line detection is activated and the data is set to 7FFF hex.



Input range settings

The input range is set using the input range switch (DIP switch) of a Slave Unit or by SDO communications.

When SDO communication is used for the setting, the target index is 3101 hex.

For the set value, refer to the corresponding index of "Appendix A-1 Object Dictionary" in Page A - 43.

For how to set with the input range switch, refer to "Names and functions" in Page 8 - 20.

8-2-2 I/O Data Allocation (PDO Mapping)

An Analog Input Slave Unit has input data for four channels and Sysmac error status. It is allocated to the IN area of I/O memory of the EtherCAT Master Unit. *1

Refer to the manual of the EtherCAT Master Unit for allocation methods.

*1 Unit version 1.1 or later only.

Input data allocation

● Analog input data (for 4 channels)

Offset (byte)	7 bit	0 bit
0	Analog input data for CH1	
+1		
+2	Analog input data for CH2	
+3		
+4	Analog input data for CH3	
+5		
+6	Analog input data for CH4	
+7		

● Analog input data (for 4 channels) and Sysmac error status

Offset (byte)	7 bit	0 bit
0	Analog input data for CH1	
+1		
+2	Analog input data for CH2	
+3		
+4	Analog input data for CH3	
+5		
+6	Analog input data for CH4	
+7		
+8	Sysmac error status	

8-3 Function of the Analog Input Slave Unit

An Analog Input Slave Units has the following convenient functions, in addition to the I/O signal processing.

8-3-1 AD Conversion Available Point Setting

Overview of functions

- **Purpose**

This function sets to skip processing unused points, and enhances the speed of refresh cycles of analog input.

- **Details of functions**

Normally in this Unit, the values for the four input points are converted in sequence. The setting can be changed, so that unused points are not converted.

By reducing the number of conversion points, the conversion cycle speed is increased.

Whether AD conversion is enabled or disabled is settable for each point. (Default setting: Enable for all channels)

Notes Regardless of this setting, an Analog Input Slave Unit uses four points of data allocation area.

Setting method

Set by SDO communications.

The target index is 3100 hex.

For the set values, refer to the information in the corresponding index of "Appendix A-1 Object Dictionary" in Page A - 43.

The table below shows the analog conversion time by the number of AD conversion available points.

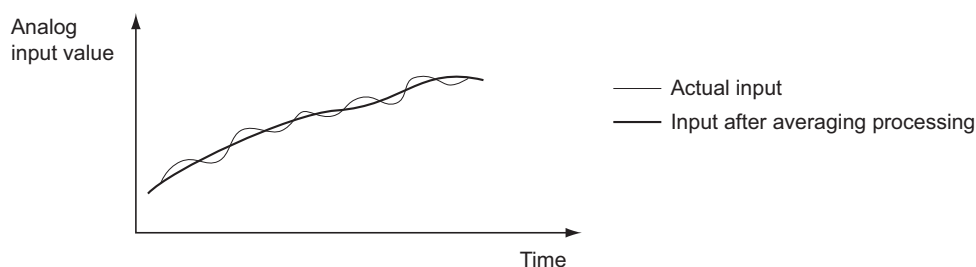
Enabled channel	Conversion time [μ s]
1 point	500
2 points	1000
3 points	1500
4 points	2000

8-3-2 Moving Average

Overview of functions

● Purpose

The function averages the inputs if they fluctuate minutely due to noise and so on as shown in the figure below, and obtains smooth input values.



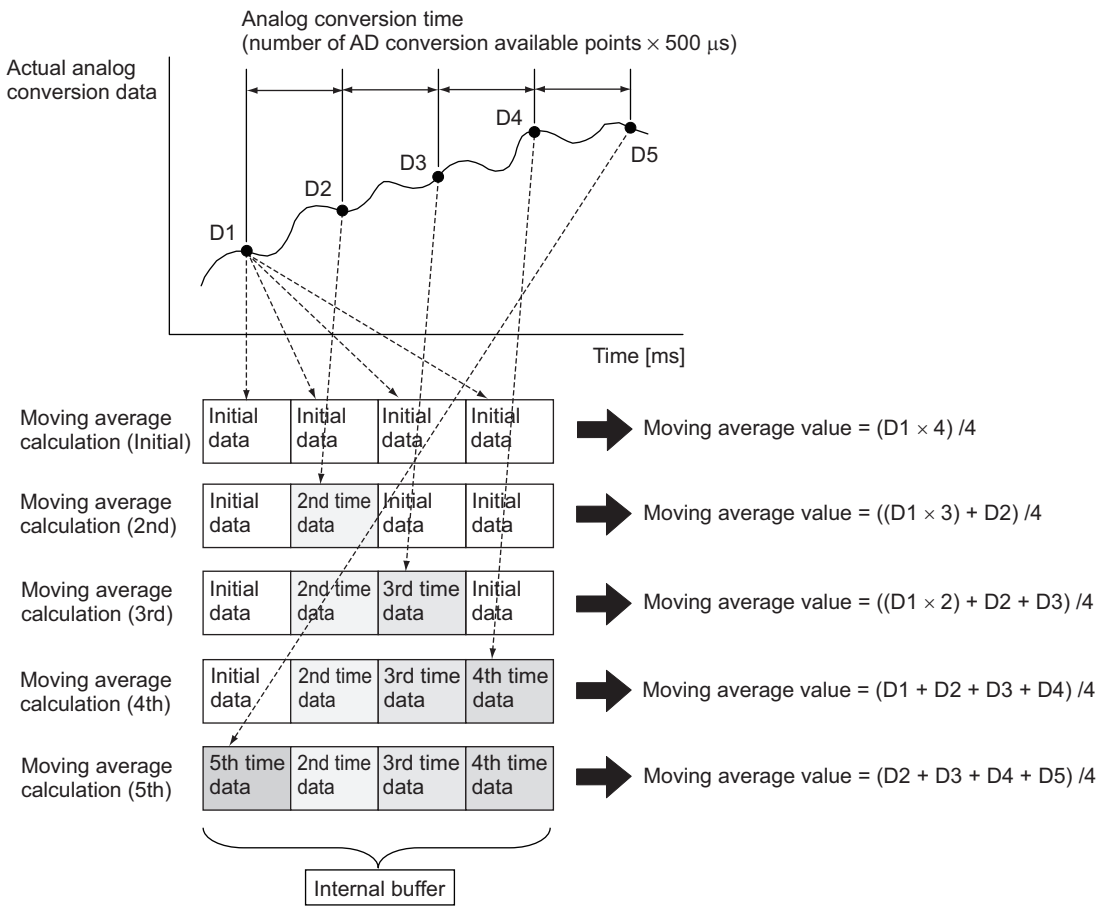
● Details of functions

This function is used to calculate the average value of analog inputs during a period of up to 64 ms, and generate it as converted data.

The setting is made with the Analogue Input Moving Average object. You can use the following formula to calculate the sampling count from the setting of the Analogue Input Moving Average object and the number of AD conversion available points. Digits below the decimal point are rounded up.

$$\text{Sampling count} = \frac{\text{Setting of the Analogue Input Moving Average } [\mu\text{s}]}{(\text{Number of AD conversion available points} \times 500 \mu\text{s})}$$

The processing that is performed inside the Unit is shown below for when the sampling count is 4. At the initial calculation, the initial data is stored in all processing buffers to perform the moving average processing.



Setting method

Set by SDO communication.

The target index is 3132 hex.

For the details, refer to the information in the corresponding index of "Appendix A-1 Object Dictionary" in Page A - 45.

8-3-3 Disconnected Line Detection

Overview of functions

- **Purpose**

The function detects a disconnection of analog input signal line.

Note that this function is valid only when the input range is "1 to 5 V" or "4 to 20 mA."

- **Details of functions**

If any analog input signal line (voltage/current inputs) of the points that are enabled by the "AD Conversion Available Point Setting" is disconnected, the disconnected line detection flag of that point (target index: 3136 hex) is turned ON.

If the moving average is enabled, the function works to detect a disconnected line in moving average processing results.

The AD converted data at disconnected line detection is 7FFF hex.

If the input returns to the convertible range again, this function is automatically cancelled and normal conversion data is input.

The table below shows details of the disconnected line detection flag.

Bits	State
0	1: CH1 disconnected / 0: CH1 normal
1	1: CH2 disconnected / 0: CH2 normal
2	1: CH3 disconnected / 0: CH3 normal
3	1: CH4 disconnected / 0: CH4 normal
4 to 15	Reserved

8-3-4 User adjustment

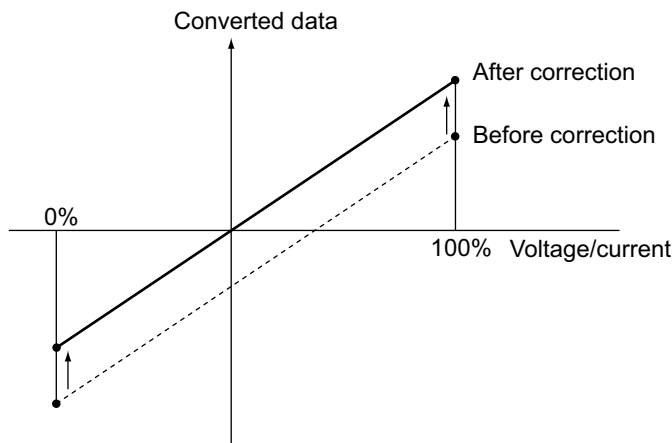
Overview of functions

- **Purpose**

If final input voltage and current deviates due to characteristics of input devices and methods of connection, correct the "deviation" and adjust inputs.

- **Details of functions**

This function corrects conversion values of input voltages and currents at 2 points, 0% and 100%, as shown in the figure below.



The correctable range is from -5% to $+5\%$ each of the minimum and maximum input values. The correctable range for each input range is as follows.

Input range	Low limit	High limit
0 to 5 V	-0.25 to $+0.25$ V	4.75 to 5.25 V
1 to 5 V	0.8 to 1.2 V	4.8 to 5.2 V
0 to 10 V	-0.5 to $+0.5$ V	9.5 to 10.5 V
-10 to $+10$ V	-11 to -9.0 V	9.0 to 11 V
4 to 20 mA	3.2 to 4.8 mA	19.2 to 20.8 mA

Setting method

Set by SDO communication.

The target indexes are as follows.

- Upper limit correction: 3112 hex Analogue Input Adjustment High Execute (user adjustment execution (upper limit))
- Lower limit correction: 3115 hex Analogue Input Adjustment Low Execute (user adjustment execution (lower limit))

For the correction procedure, refer to the information in the corresponding index of "Appendix A-1 Object Dictionary" in Page A - 44.

8-4 Overview of the Analog Output Slave Unit

An Analog Output Slave Unit converts (DA conversion) digital data (binary value) stored in the EtherCAT Master Unit to analog signals such as 1 to 5 V and 4 to 20 mA and output them.

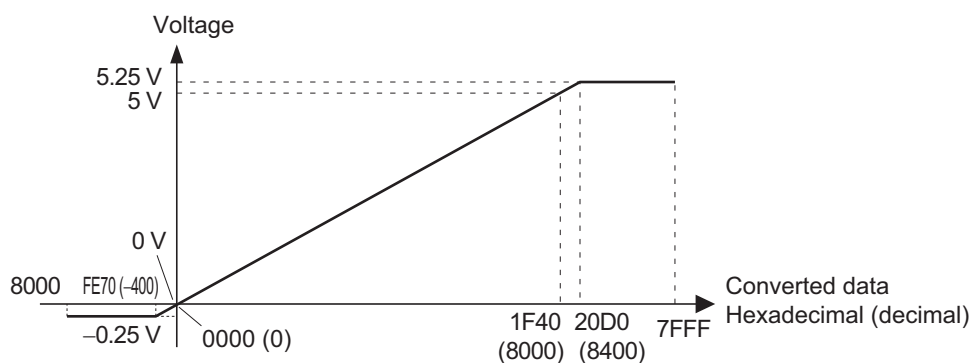
8-4-1 Output Range and Converted Data

Digital data that is output is converted to analog data using a set output range as shown below. If the output data exceeds the data range for which conversion is possible, the converted data is fixed at the maximum or minimum value of the range.

Output Range and Converted Data

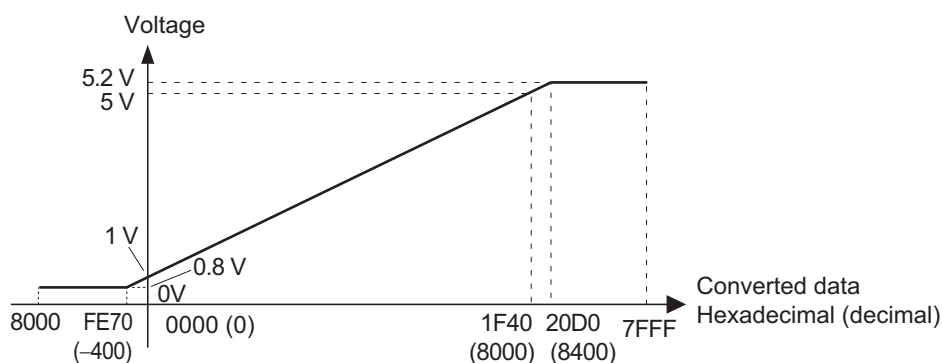
● Output range 0 to 5 V

Data from 0000 to 1F40 hex (0 to 8000) is converted to voltage from 0 to 5 V and output. The output data range for which conversion is possible is FE70 to 20D0 hex (–400 to +8400) and here the output data is –0.25 to +5.25 V.



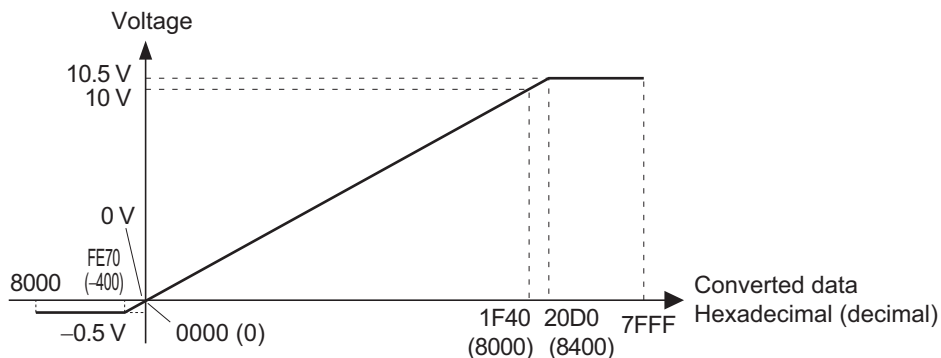
● Output range 1 to 5 V

Data from 0000 to 1F40 hex (0 to 8000) is converted to voltage from 1 to 5 V and output. The output data range for which conversion is possible is FE70 to 20D0 hex (–400 to +8400) and here the output data is 0.8 to 5.2 V.



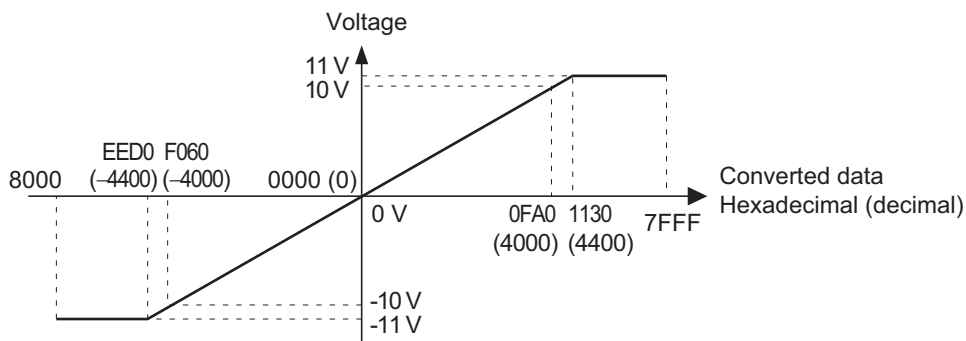
● Output range 0 to 10 V

Data from 0000 to 1F40 hex (0 to 8000) is converted to voltage from 0 to 10 V and output. The output data range for which conversion is possible is FE70 to 20D0 hex (−400 to +8400) and here the output data is −0.5 to +10.5 V.



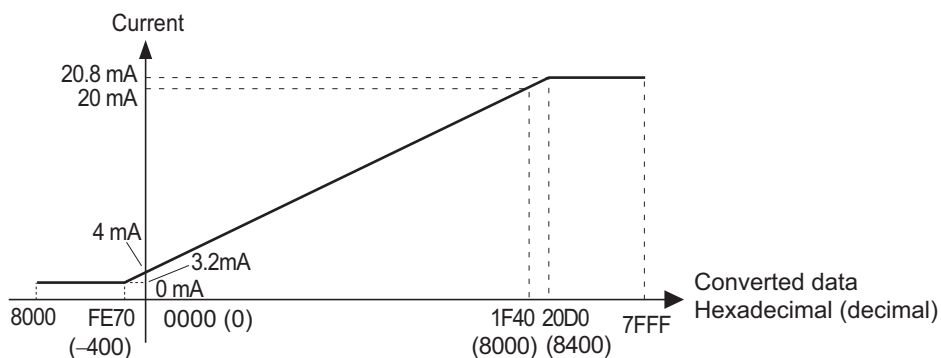
● Output range −10 to +10 V

Data from F060 to 0FA0 hex (−4000 to +4000) is converted to voltage from −10 to +10 V and output. The output data range for which conversion is possible is EED0 to 1130 hex (−4400 to +4400) and here the output data is −11 to +11 V. Negative voltages are specified as two's complements (hexadecimal).



● Output range 4 to 20 mA

Data from 0000 to 1F40 hex (0 to 8000) is converted to voltage from 4 to 20 mA and output. The output data range for which conversion is possible is FE70 to 20D0 hex (−400 to +8400) and here the output data is 3.2 to 20.8 mA.



Output range setting

The output range is set using the output range setting switch (DIP switch) of a Slave Unit or by SDO communications.

When SDO communication is used for the setting, the target index is 3201 hex.

For the set value, refer to the corresponding index of "Appendix A-1 Object Dictionary" in Page A - 46.

For how to set with the output range switch, refer to "Names and functions" in Page 8 - 23.

8-4-2 I/O Data Allocation (PDO Mapping)

An Analog Output Slave Unit has output data, and it is allocated to the OUT area of I/O memory of the EtherCAT Master Unit.

Also, the Sysmac error status is allocated to the IN area of I/O memory of the EtherCAT Master Unit. ^{*1}
Refer to the manual of the EtherCAT Master Unit for allocation methods.

*1 Unit version 1.1 or later only.

Output data allocation

● Analog output data (for 2 channels)

Offset (byte)	7 bit	0 bit
0	Analog output data for CH1	
+1		
+2	Analog output data for CH2	
+3		

Input data allocation

● Sysmac error status

Offset (byte)	7 bit	0 bit
0	Sysmac error status	

8-5 Function of the Analog Output Slave Unit

An Analog Output Slave Unit has the following convenient functions, in addition to the output signal processing.

8-5-1 DA Conversion Available Point Setting

Overview of functions

- **Purpose**

This function sets to skip processing unused points, and enhances the speed of refresh cycles of analog output.

- **Details of functions**

Normally in this Unit, the values for two input points are converted in sequence. The setting can be changed, so that unused points are not converted.

By reducing the number of conversion points, the conversion cycle speed is increased.

Whether DA conversion is enabled or disabled is settable for each point. (Default setting: Enable all channels)

Notes Regardless of this setting, an Analog Output Slave Unit uses two points of data allocation area.

Setting method

Set by SDO communications.

The target index is 3200 hex.

For the set values, refer to the information in the corresponding index of "Appendix A-1 Object Dictionary" in Page A - 46.

The table below shows the analog conversion time by the number of DA conversion available points.

Enabled channel	Conversion time [μ s]
1 point	500
2 points	1000



Precautions for Correct Use

Do not disable all of the channels.

8-5-2 Analog Output Fault Action

Overview of functions

- **Purpose**

This function outputs set values if a communications error occurs.

- **Details of functions**

It is possible to set a value to be output when a communications error occurs for each point. Select an output value from the following 5 patterns.

Output pattern	Contents
Hold Last State	Holds and outputs the value immediately before the error occurred.
Low Limit	Outputs the values in the following table according to the output range.
High Limit	Outputs the values in the following table according to the output range.
User Count	Outputs the value specified by users.
Zero Count (Default setting)	Outputs the 0000 hex values of each output range.

- Output value corresponding to the output range and output pattern

Output range	Hold Last State	Low Limit	High Limit	User Count	Zero Count
0 to 5 V	Hold	-0.25 V	5.25 V	Specified value by a user from -0.25 to 5.25 V	0 V
1 to 5 V		0.8 V	5.2 V	Specified value by a user from 0.8 to 5.2 V	1 V
0 to 10 V		-0.5 V	10.5 V	Specified value by a user from -0.5 to 10.5 V	0 V
-10 to +10 V		-11 V	11 V	Specified value by a user from -11 to 11 V	0 V
4 to 20 mA		3.2 mA	20.8 mA	Specified value by a user from 3.2 to 20.8 mA	4 mA

Setting method

Set by SDO communications.

The target index is 3240 hex.

For the set values, refer to the information in the corresponding index of "Appendix A-1 Object Dictionary" in Page A - 48.

8-5-3 User Adjustment

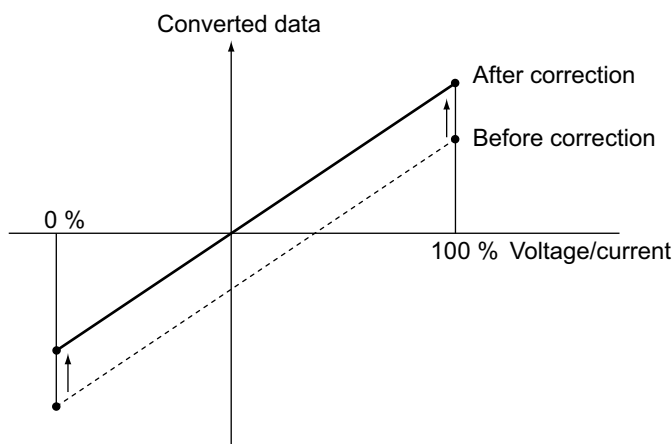
Overview of functions

- **Purpose**

If final output voltage and current deviates due to characteristics of output devices and methods of connection, correct the "deviation" and adjust outputs.

- **Details of functions**

This function corrects conversion values of output voltages and currents at 2 points, 0% and 100%, as shown in the figure below.



The correctable range is from -5% to $+5\%$ each of the minimum and maximum values of outputs. The correctable range for each output range is as follows.

Output range	Low limit	High limit
0 to 5 V	-0.25 to $+0.25$ V	4.75 to 5.25 V
1 to 5 V	0.8 to 1.2 V	4.8 to 5.2 V
0 to 10 V	-0.5 to $+0.5$ V	9.5 to 10.5 V
-10 to $+10$ V	-11 to -9.0 V	9.0 to 11 V
4 to 20 mA	3.2 to 4.8 mA	19.2 to 20.8 mA

Setting method

Set by SDO communications.

The target indexes are as follows.

- Upper limit correction: 3212 hex Analogue Output Adjustment High Execute (user adjustment execution (upper limit))
- Lower limit correction: 3215 hex Analogue Output Adjustment Low Execute (user adjustment execution (lower limit))

For the correction procedure, refer to the information in the corresponding index of "Appendix A-1 Object Dictionary" in page A-47.

8-6 Overview of Each Slave Unit Type

This section shows the specification of Analog I/O Slave Units, names and functions of each part, internal circuit diagram, and wiring diagram.

Refer to the following corresponding page to each model.

Type	Model	Reference page			
		Specification	Names and functions	Internal circuits diagram	Wiring diagram
4-point Input Slave Unit	GX-AD0471	8-19	8-20	8-22	8-22
2-point Output Slave Unit	GX-DA0271	8-23	8-23	8-25	8-26

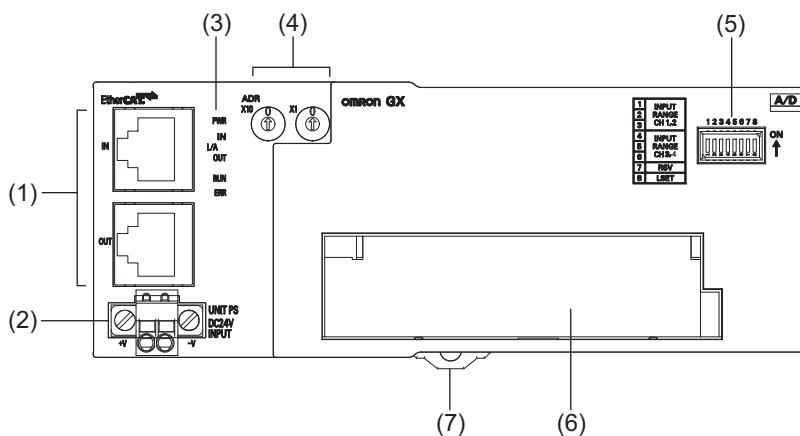
8-6-1 4-point Input Slave Unit GX-AD0471

Specification

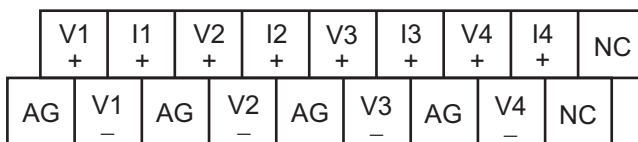
Item	Specification	
	Voltage input	Current input
Input capacity	4 points (possible to set number of enabled points)	
Input range	0 to 5 V 1 to 5 V 0 to 10 V -10 to +10 V	4 to 20 mA
Input range setting method	Input range switch: Common to input CH1/CH2, common to input CH3/CH4 SDO communications: Possible to set input CH1 to CH4 separately	
Maximum signal input	±15 V	±30 mA
Input impedance	1 MΩ min.	Approx. 250 Ω
Resolution	1/8000 (full scale)	
Overall accuracy	25°C	±0.3% FS
	-10 to 55°C	±0.6% FS
Analog conversion cycle	500 μs/input When 4 points are used: 2 ms max.	
AD converted data	Other than ±10 V: 0000 to 1F40 hex full scale (0 to 8000) ±10 V: F060 to 0FA0 Hex full scale (-4000 to +4000) AD conversion range: ±5% FS of the above data ranges.	
Isolation method	Photocoupler isolation (between input and communications lines) No isolation between input signal wires	
Unit power supply current consumption	120 mA max. (for 20.4 to 26.4-VDC power supply voltage)	
Weight	180 g max.	
Accessories	Four short-circuit metal fixtures (for current input) *	

* Short-circuit metal fixtures are used for current input only, but store in a safe place when using for voltage inputs as well.

Names and functions



● Terminal arrangement diagram



No.	Name	Function
(1)	Communications connectors	Refer to "Specifications of Common Areas" in Page 6 - 4.
(2)	Unit power supply connector	
(3)	Status indicators	
(4)	Node Address setting Switches	
(5)	Input range setting Switches	DIP switches for setting input range (Refer to the following section.)
(6)	Terminal block	Terminal block for analog input signals V1 to V4: Voltage input terminals I1 to I4: Current input terminals AG: Analog GND NC: Not used
(7)	DIN track mounting hook	Fixes a Slave Unit to a DIN track.

- Input range setting switches

Set input range by combination of individual DIP switches.

To enable settings of these switches, it is necessary to turn Pin8 (input range setting method) ON in advance.

Pin No.	Setting	Specification
1	Setting of input CH1/CH2 range (common)	Set by combination of DIP switches (see the next table)
2		
3		
4	Setting of input CH3/CH4 range (common)	
5		
6		
7	Always OFF	Make sure to keep it OFF. The operation cannot be guaranteed when it is set to ON.
8	Input range setting method	OFF: Setting by SDO communications ON: Setting by the switches (Pin1 to Pin6)



Precautions for Correct Use

- When setting a range with these switches, the same input ranges are set for inputs CH1 and CH2 as well as inputs CH3 and CH4, respectively. To set a different range for inputs CH1 to CH4, use the SDO communications to make the settings.
- Pin7 must be used in the OFF state.
- To set a range using these switches, make sure to turn Pin8 ON. If it is turned OFF, the DIP switch settings will not be reflected.
- The settings of this switch are read only once when the power is turned ON.

- Setting of input CH1/CH2 range (Pin1 to Pin3)

Input range	Pin1	Pin2	Pin3
0 to 5 V	OFF	OFF	OFF
1 to 5 V	ON	OFF	OFF
0 to 10 V	OFF	ON	OFF
-10 to +10 V	ON	ON	OFF
4 to 20 mA	OFF	OFF	ON

- Setting of input CH3/CH4 range (Pin4 to Pin6)

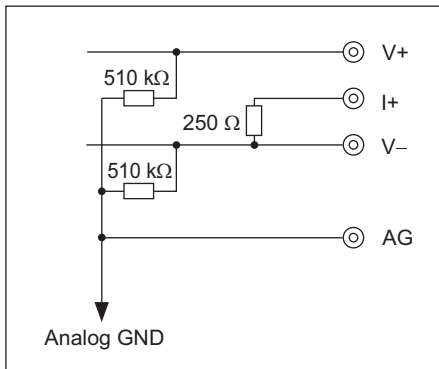
Input range	Pin4	Pin5	Pin6
0 to 5 V	OFF	OFF	OFF
1 to 5 V	ON	OFF	OFF
0 to 10 V	OFF	ON	OFF
-10 to +10 V	ON	ON	OFF
4 to 20 mA	OFF	OFF	ON



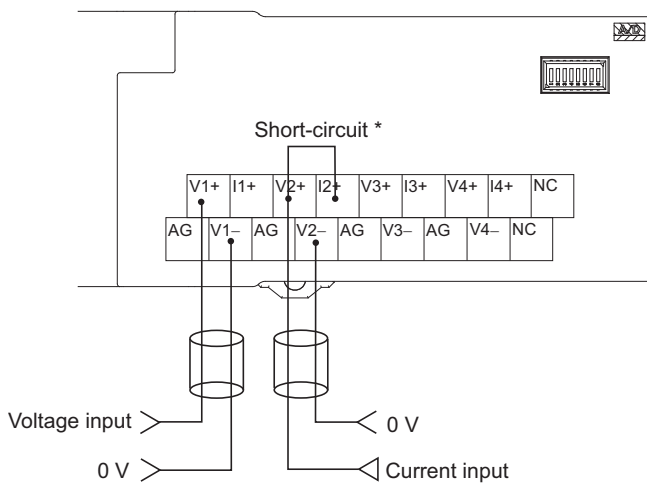
Precautions for Correct Use

Do not set the DIP switches or Pins other than as specified in the tables above.

Internal circuits diagram



Wiring diagram



* Short-circuit the "V positive" terminal and "I positive" terminal at current input. Use the attached short-circuit metal fixture to short-circuit these terminals.



Precautions for Correct Use

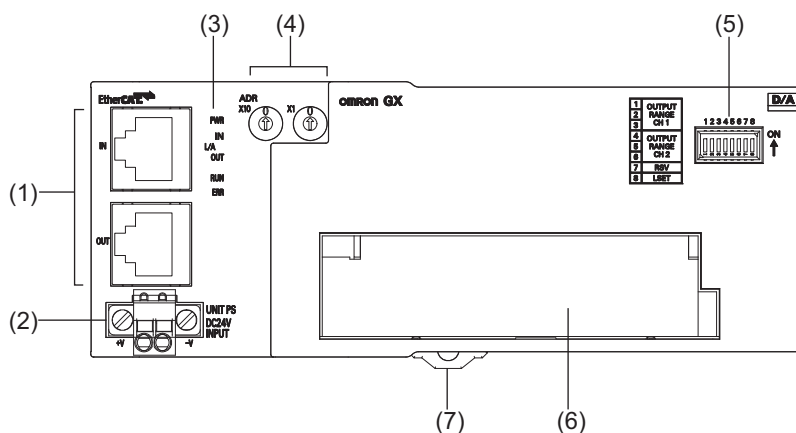
Do not wire NC terminals.

8-6-2 2-point Output Slave Unit GX-DA0271

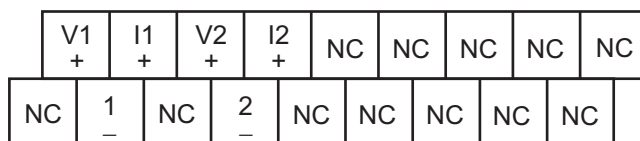
Specification

Item	Specification	
	Voltage output	Current output
Output capacity	2 points (possible to set number of enabled points)	
Output range	0 to 5 V 1 to 5 V 0 to 10 V -10 to +10 V	4 to 20 mA
Output range setting method	Output range switch, SDO communications: Possible to set outputs CH1 and CH2 separately.	
External output allowable load resistance	5 k Ω min.	600 Ω max.
Resolution	1/8000 (full scale)	
Overall accuracy	25°C	$\pm 0.4\%$ FS
	-10 to 55°C	$\pm 0.8\%$ FS
Analog conversion cycle	500 μ s/input When 2 points are used: 1 ms max.	
DA converted data	Other than ± 10 V: 0000 to 1F40 hex full scale (0 to 8000) ± 10 V: F060 to 0FA0 hex full scale (-4000 to +4000) DA conversion range: $\pm 5\%$ FS of the above data ranges	
Isolation method	Photocoupler isolation (between output and communications lines) No isolation between output signal wires	
Unit power supply current consumption	150 mA max. (for 20.4 to 26.4-VDC power supply voltage)	
Weight	190 g max.	

Names and functions



● Terminal arrangement diagram



No.	Name	Function
(1)	Communications connectors	Refer to "Specifications of Common Areas" in Page 6 - 4.
(2)	Unit power supply connector	
(3)	Status indicators	
(4)	Node Address setting Switches	
(5)	Output range setting Switches	DIP switches for setting output range (Refer to the following section.)
(6)	Terminal block	Terminal block for analog output signals V1+, V2+: Voltage output positive terminals I1+, I2+: Current output positive terminals 1-, 2-: Voltage/current output negative terminals NC: Not used
(7)	DIN track mounting hook	Fixes a Slave Unit to a DIN track.

• Output range setting switches

Set output range by combination of individual DIP switches.

To enable settings of these switches, it is necessary to turn Pin8 (output range setting method) ON in advance.

Pin No.	Setting	Specification
1	Setting of output CH1 range	Set by combination of DIP switches (see the next table)
2		
3		
4		
5	Setting of output CH2 range	
6		
7	Always OFF	Make sure to keep it OFF. The operation cannot be guaranteed when it is set to ON.
8	Output range setting method	OFF: Setting by SDO communications ON: Setting by these switches (Pin1 to Pin6)



Precautions for Correct Use

- Pin7 must be used in the OFF state.
- To set a range using these switches, make sure to turn Pin8 ON. If it is turned OFF, the DIP switch settings will not be reflected.
- The settings of this switch are read only once when the power is turned ON.

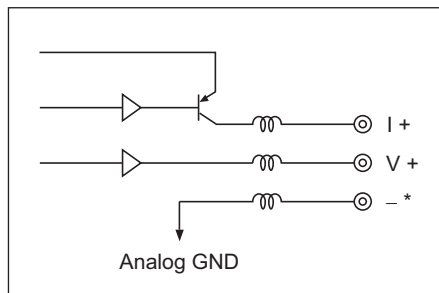
- Setting of output CH1 range (Pin1 to Pin3)

Output range	Pin1	Pin2	Pin3
0 to 5 V	OFF	OFF	OFF
1 to 5 V	ON	OFF	OFF
0 to 10 V	OFF	ON	OFF
-10 to +10 V	ON	ON	OFF
4 to 20 mA	OFF	OFF	ON

- Setting of output CH2 range (Pin4 to Pin6)

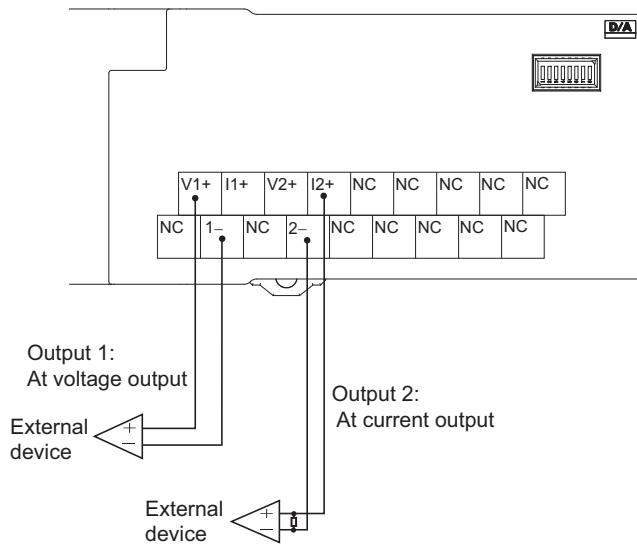
Output range	Pin4	Pin5	Pin6
0 to 5 V	OFF	OFF	OFF
1 to 5 V	ON	OFF	OFF
0 to 10 V	OFF	ON	OFF
-10 to +10 V	ON	ON	OFF
4 to 20 mA	OFF	OFF	ON

Internal circuits diagram



* Negative terminals of output CH1 and output CH2 are internally connected.

Wiring diagram

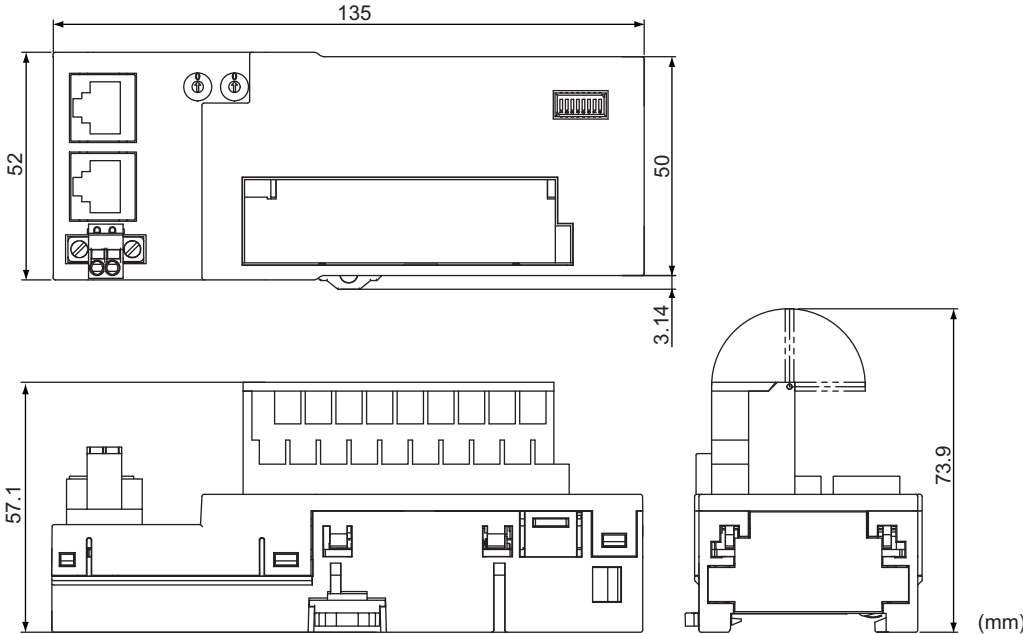


Precautions for Correct Use

Do not wire NC terminals.

8-7 Mounting Dimensions

The mounting dimensions of an Analog I/O Slave Unit are shown below.



9

Encoder Input Slave Unit

This chapter explains the overview of Encoder Input Slave Unit.

9-1 Encoder Input Slave Unit	9-2
9-2 I/O Data Allocation	9-3
9-2-1 Input Data Allocation	9-3
9-2-2 Output Data Allocation	9-6
9-3 Function of the Encoder Input Slave Units	9-8
9-3-1 Count Mode	9-8
9-3-2 Circular Counter	9-8
9-3-3 Input Signal Types	9-9
9-3-4 Encoder Direction Setting	9-11
9-3-5 Counter Reset	9-12
9-3-6 Counter Preset	9-13
9-3-7 Counter value latch	9-13
9-4 Specifications for Each Slave Unit	9-14
9-4-1 Open collector input type GX-EC0211	9-15
9-4-2 Line Driver Input Type GX-EC0241	9-23
9-5 Mounting Dimensions	9-30

9-1 Encoder Input Slave Unit

An Encoder Input Slave Unit has 5 V and 24 V open collector input function or line driver input function. The open collector input can be measured up to 500 kHz and the line driver input up to 4 MHz.

9-2 I/O Data Allocation

I/O data of Encoder Input Slave Units are allocated to the input/output areas of the I/O memory of the EtherCAT Master Unit, respectively.

Also, the Sysmac error status is allocated to the IN area of I/O memory of the EtherCAT Master Unit. *1

The ESI file are used to allocate I/O data.

For the detailed explanation of allocation method, refer to the manual of EtherCAT Master Unit to be connected.

*1 Unit version 1.1 or later only.

9-2-1 Input Data Allocation

Encoder Input Slave Unit stores the counter present value, external latch value A, external latch value B and the counter status as input data, and can allocate required data to Input area.

The details of each data type are as follows.

Data	Size	Detail
Counter present value	8 bytes	Used to monitor counter data.
External latch value A	8 bytes	Stores the counter value (latch value A) latched by external latch A.
External latch value B	8 bytes	Stores the counter value (latch value B) latched by external latch B.
Counter status	2 bytes	Status flag to check the counter status.
Sysmac error status *1	1 byte	Status flags that show Slave Unit errors and connection confirmation.

*1 Unit version 1.1 or later only.

The data allocation is as follows when using the default settings.

● Counter status + counter present value data + external latch A data + external latch B data (size = 26 bytes)

Offset (byte)	D07	D06	D05	D04	D03	D02	D01	D00
0	CRUN1	CERR1	Reserved	EXLB1	EXLA1	EXRES1	RACK1	PACK1
+1	CRUN2	CERR2	Reserved	EXLB2	EXLA2	EXRES2	RACK2	PACK2
+2								(LL)
+3								(LH)
+4	CH1 Present value data							(HL)
+5								(HH)
+6								(LL)
+7								(LH)
+8	CH2 Present value data							(HL)
+9								(HH)
+10								(LL)
+11								(LH)
+12	CH1 Latch A data							(HL)
+13								(HH)
+14								(LL)
+15								(LH)
+16	CH2 Latch A data							(HL)
+17								(HH)
+18								(LL)
+19								(LH)
+20	CH1 Latch B data							(HL)
+21								(HH)
+22								(LL)
+23								(LH)
+24	CH2 Latch B data							(HL)
+25								(HH)

0 to +1: Counter status

● Counter status + counter present value data + external latch A data + external latch B data + Sysmac error status (size = 27 bytes)

Offset (byte)	D07	D06	D05	D04	D03	D02	D01	D00
0	CRUN1	CERR1	Reserved	EXLB1	EXLA1	EXRES1	RACK1	PACK1
+1	CRUN2	CERR2	Reserved	EXLB2	EXLA2	EXRES2	RACK2	PACK2
+2								(LL)
+3								(LH)
+4	CH1 Present value data							(HL)
+5								(HH)
+6								(LL)
+7								(LH)
+8	CH2 Present value data							(HL)
+9								(HH)
+10								(LL)
+11								(LH)
+12	CH1 Latch A data							(HL)
+13								(HH)
+14								(LL)
+15								(LH)
+16	CH2 Latch A data							(HL)
+17								(HH)
+18								(LL)
+19								(LH)
+20	CH1 Latch B data							(HL)
+21								(HH)
+22								(LL)
+23								(LH)
+24	CH2 Latch B data							(HL)
+25								(HH)
+26	Sysmac error status							

0 to +1: Counter status

Abbreviations used for the counter status information description have the following meanings.

Abbreviation	Status name	Operation
PACKn	Present value preset execution completed	Soft switch "Present value preset execution" completion flag 0→1: Preset execution completed 1→0: Soft switch "Present value preset execution" is set to 0
RACKn	Present value internal reset execution completed	Soft switch "Present value internal reset execution" completion flag 0→1: Reset execution completed 1→0: Soft switch "Present value reset execution" is set to 0
EXRESn	External reset generation flag	1: Turned ON at reset generation by external input/phase Z 0: Soft switch "present value external reset generation flag clear" is changed from 0 to 1
EXLAN	External latch A generation flag	1: Turned ON with external latch A event generation 0: Soft switch "external latch A generation flag clear" is changed from 0 to 1
EXLBN	External latch B generation flag	1: Turned ON with external latch B event generation 0: Soft switch "external latch B generation flag clear" is changed from 0 to 1
CERRn	Present value preset set value error	0: No setting error 1: Setting error generation
CRUNn	Counter operation state	0: Counter stopped 1: Counter operating

9-2-2 Output Data Allocation

Encoder Input Slave Unit stores the soft switch and the preset command value as output data, and can allocate required data to Output area.

The details of each data type are as follows.

Data	Size	Detail
Soft switch	4 bytes	Used to control the Encoder Input Slave Unit.
Preset command value	8 bytes	Specifies the value to be written over the counter present value data at preset execution.

The data allocation is as follows when using the default settings.

● **Soft switch + preset command value (size = 12 bytes)**

Offset (byte)	D07	D06	D05	D04	D03	D02	D01	D00
0	Reserved	Reserved	Reserved	Reserved	Reserved	INPRES1	PSET1	CENB1
+1	Reserved	EXLBC1	EXLAC1	EXRESC1	Reserved	EXLBE1	EXLAE1	EXRESE1
+2	Reserved	Reserved	Reserved	Reserved	Reserved	INPRES2	PSET2	CENB2
+3	Reserved	EXLBC2	EXLAC2	EXRESC2	Reserved	EXLBE2	EXLAE2	EXRESE2
+4								(LL)
+5	CH1 Preset command value							(LH)
+6								(HL)
+7								(HH)
+8								(LL)
+9	CH2 Preset command value							(LH)
+10								(HL)
+11								(HH)

0 to +3: Soft switch

Abbreviations used in soft switch description have the following meanings.

Abbreviation	Status name	Operation	Detection
CENBn	Count possible/not possible	1: Count possible command 0: Count not possible command	Level
PSETn	Present value preset execution	0→1: Start preset of present value 1→0: Clear present value preset execution completion flag	Edge
INPRESn	Present value internal reset execution	0→1: Start resetting present value 1→0: Clear present value internal reset execution completion flag	Edge
EXRESEn	Present value external reset enabled	1: Enabled 0: Disabled	Level
EXLAEn	External latch A enabled	1: Enabled 0: Disabled	Level
EXLBEEn	External latch B enabled	1: Enabled 0: Disabled	Level
EXRESCn	Clear present value external reset generation flag	0→1: Clear flag	Edge
EXLACn	Clear external latch A generation flag	0→1: Clear flag	Edge
EXLBCn	Clear external latch B generation flag	0→1: Clear flag	Edge

9-3 Function of the Encoder Input Slave Units

This section explains the function of Encoder Input Slave Units.

9-3-1 Count Mode

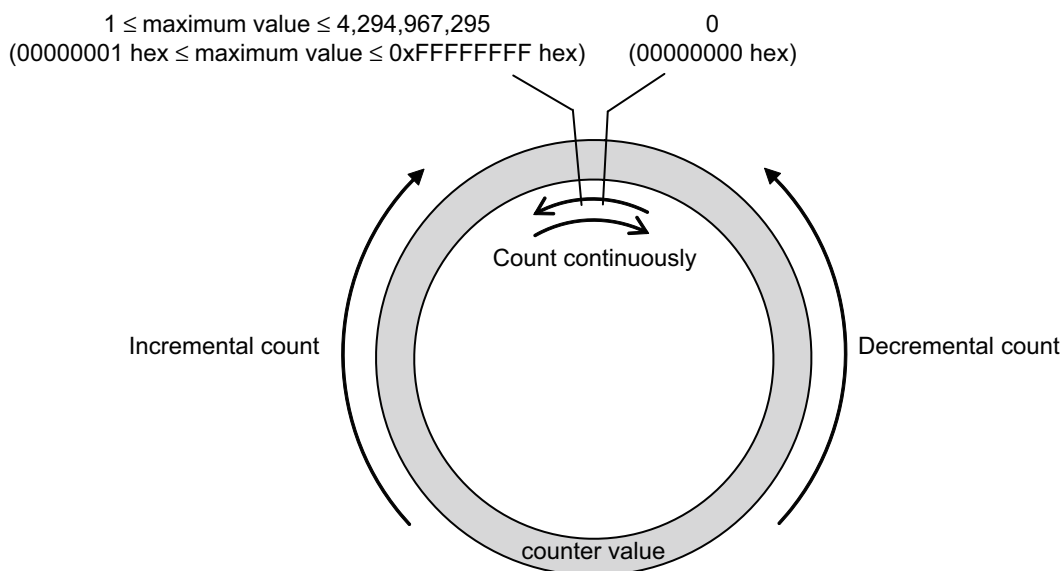
The Count Mode is run by the Circular Counter.

9-3-2 Circular Counter

Set the maximum Circular Counter value and perform incremental/decremental count in the range from 0 to the maximum value or from the maximum value to 0.

The maximum value can be set in the range from 1 to 4,294,967,295 (FFFFFFFF hex).

Note that if 0 is set, the maximum value becomes FFFFFFFF hex.



If the counter value exceeds the maximum value, the counter value returns to 0 to continue count operation.

If the counter value becomes less than 0, the counter value returns to the maximum value to continue count operation.

Setting method

The settings are made using the SDO communications.

The target index is 4003 hex.

For the details, refer to the information in the corresponding index of "Appendix A-1 Object Dictionary" in Page A - 50.

There are the following two methods to restart the counter.

- Cycle the power supply.
- Change the CENn software switch (Count Possible/Not Possible) from 0 to 1.



Precautions for Safe Use

- If you change the maximum Circular Counter value when the counter is stopped or operating, restart the counter to enable using the new maximum value in counter operation.
- If the set value is read without restarting, the set value after change can be read, but the actual count operation is performed with the set value before change.

9-3-3 Input Signal Types

The input method of Encoder Input Slave Units is explained below.

Note that SDO communications are used for setting an input method. (Default setting: Phase A/B phase difference pulse input (Multiplication × 4))

The target index is 4002 hex.

For the set values, refer to the information in the corresponding index of "Appendix A-1 Object Dictionary" in Page A - 50.

● **Phase A/B phase difference pulse input (Multiplication × 1/2/4)**

(1) Multiplication × 1

Count at signal change of phase A when phase B signal is turned OFF.

The count is incremented at rise of phase A and decremented at fall of phase A.

(2) Multiplication × 2

It is used to heighten resolution of encoder input compared to Multiplication × 1.

The counter operation is performed at rise and fall of phase A signals.

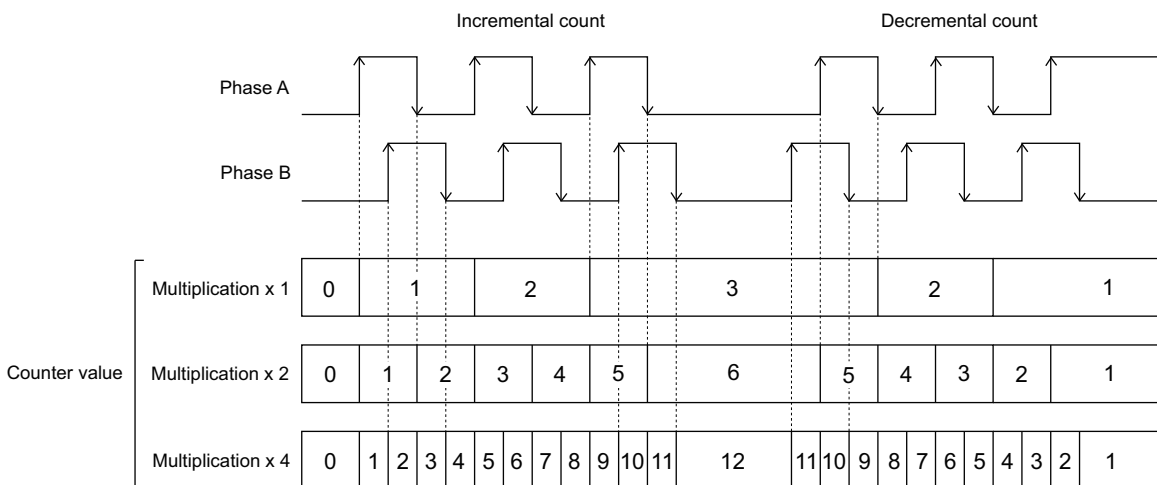
The count is incremented if phase A is advanced from phase B and decremented if phase A is delayed from phase B.

(3) Multiplication × 4

It is used to further heighten resolution of encoder input from Multiplication × 2.

The counter operation is performed at rise and fall of phase A/B signals.

The count is incremented if phase A is advanced from phase B and decremented if phase A is delayed from phase B.

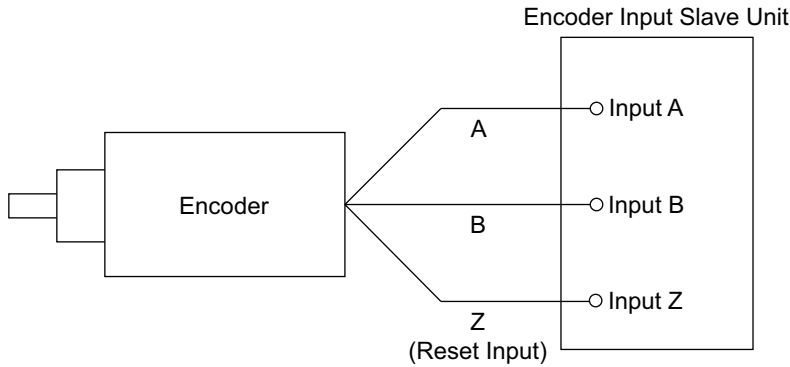


9-3-3 Function of the Encoder Input Slave Units



9-3-3 Input Signal Types

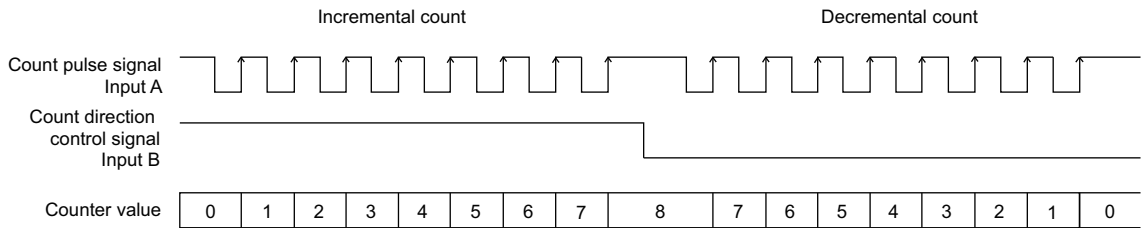
When phase A/B phase difference pulse is input, the connection with external input devices becomes as follows.



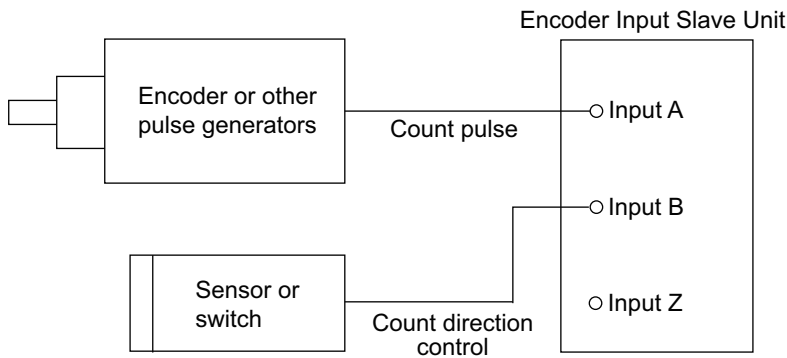
● **Code + pulse input**

Input A is count pulse signal and input B is count direction control signal.

The count is incremented at rise of phase A when input B is ON and decremented at rise of phase A when input B is OFF.

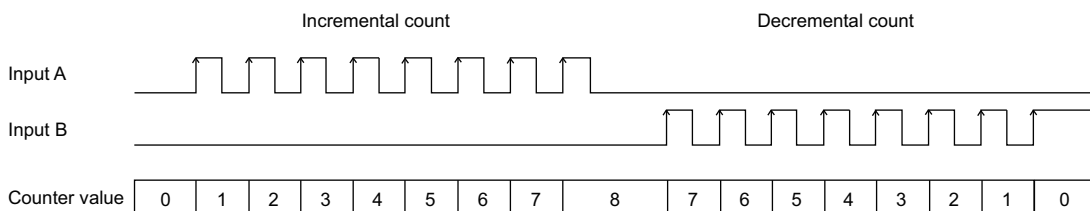


When code and pulses are input, the connection with external input devices becomes as follows.

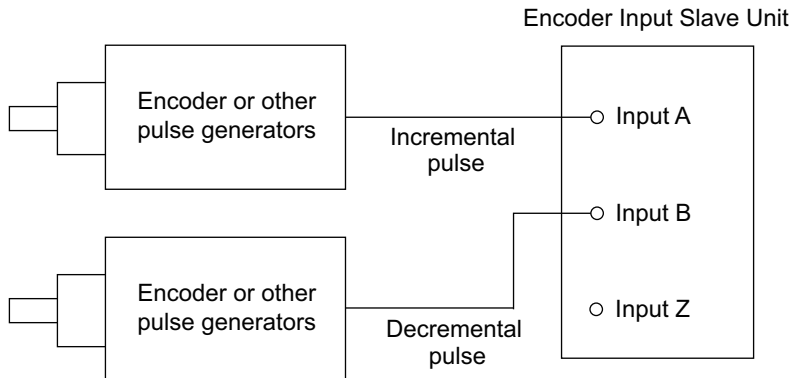


● **Incremental/decremental pulse input**

The count is incremented at rise of input A pulse and decremented at rise of input B pulse.



When incremental/decremental pulses are input, the connection with external input devices becomes as follows.



Precautions for Safe Use

- If the input method is changed while the counter is stopped or operating, restart (stop → operate) the counter in order to reflect the change to the count operation.
- If the set value is read without restarting, the set value after change can be read, but the actual count operation is performed with the set value before change.

9-3-4 Encoder Direction Setting

There are two following types for the encoder directions of an Encoder Input Slave Unit.

- Forward direction at CW (clockwise rotation seen from the shaft of the connected encoder)
- Forward direction at CCW (counterclockwise rotation seen from the shaft of the connected encoder)



Note that SDO communications are used to set encoder direction. (Default setting: Forward direction at CW)

The target index is 4001 hex.

For the set values, refer to the information in the corresponding index of "Appendix A-1 Object Dictionary" in Page A - 49.



Precautions for Safe Use

- If you change the encoder direction setting when the counter is stopped or operating, restart the counter to enable using the new encoder direction setting in counter operation.
- If the set value is read without restarting, the set value after change can be read, but the actual count operation is performed with the set value before change.

9-3-5 Counter Reset

It is possible to reset counter value for each channel using the elements shown below.

● Counter reset bit

The counter of each channel is reset to 0 by changing soft switch "present value internal reset execution" allocated to each channel from 0 to 1 in the output data (Slave Unit → EtherCAT Master Unit) area.

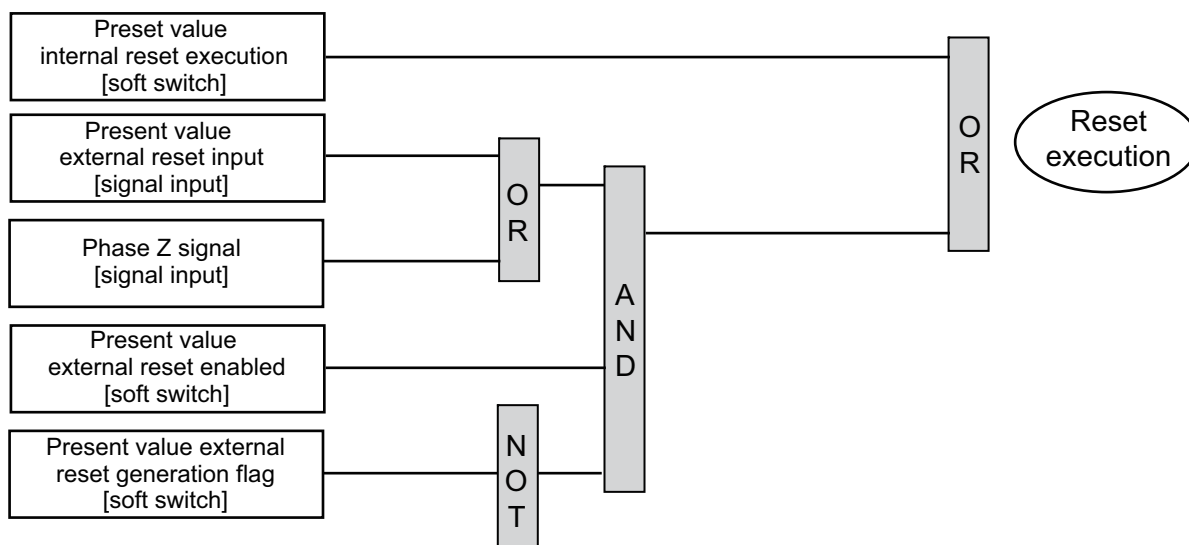
● External control input

The counter is reset to 0 at rise of the present value external reset input signal or phase Z input signal.

However, it is necessary to set the soft switch "present value external reset enabled" to 1.

If the counter value is reset via input of the present value external reset or phase Z, the "external reset generation flag" is turned ON. By changing "clear present value external reset generation flag" from 0 to 1, "external reset generation flag" is cleared, enabling the next reset reception.

The counter reset conditions are shown in the figure below.



Precautions for Safe Use

While the counter function is stopped, external reset is disabled.

For this reason, if the reset function is to be used while the counter function is stopped, use the present value internal reset execution (soft switch).

9-3-6 Counter Preset

It is possible to preset counter value for each channel using the elements shown below.

- **Counter preset bit**

The counter present value is overwritten by "preset command value" by changing soft switch "present value preset execution" allocated to each channel from 0 to 1 in the output data (Slave Unit → EtherCAT Master Unit) area.

- **Preset command value**

Set "preset command value" allocated to each channel in output data (Slave Unit → EtherCAT Master Unit) area or via SDO communications. (Default setting: 0)
When SDO communications are used, the target index is 4011 hex.
For the details, refer to the information in the corresponding index of "Appendix A-1 Object Dictionary" in Page A - 50.

9-3-7 Counter value latch

The counter value is latched for each channel using the elements shown below.

It is possible to latch two values at the same time.

- **External control input (latch A)**

The present counter value is acquired/stored at the rise of latch A of external control input. However, it is necessary to set the soft switch "external latch A enabled" to "enabled." *

- **External control input (latch B)**

The present counter value is acquired/stored at the rise of latch B of external control input. However, it is necessary to set the soft switch "external latch B enabled" to "enabled." *

For both latch A and B inputs, when latch is generated via latch input, the "external latch generation flag" changes from 0 to 1 and the counter value is stored in objects (latch value A/latch value B) as latch A/latch B data.

By changing "clear external latch generation flag" from 0 to 1, it is possible to clear the "external latch generation flag."

When the "external latch generation flag" is cleared, the next latch input becomes enabled.

If it is desired to use latched counter values (latch values) in a ladder program, select PDO mapping to which latch data is allocated.

* To use SDO communications, acquire/store the present counter value at the rise of latch A/B of external control input, regardless of the status of the soft switch "external latch A/B enabled."

9-4 Specifications for Each Slave Unit

This section shows the specification of Encoder Input Slave Units, names and functions of each part, internal circuit diagram, and wiring diagram.

Refer to the following corresponding page to each model.

Type	Model	Reference page			
		Specification	Names and functions	Internal circuits diagram	Wiring diagram
Open collector input type	GX-EC0211	9-15	9-17	9-20	9-21
Line driver Input type	GX-EC0241	9-23	9-25	9-28	9-29

9-4-1 Open collector input type GX-EC0211

Specification

● Slave Unit specifications

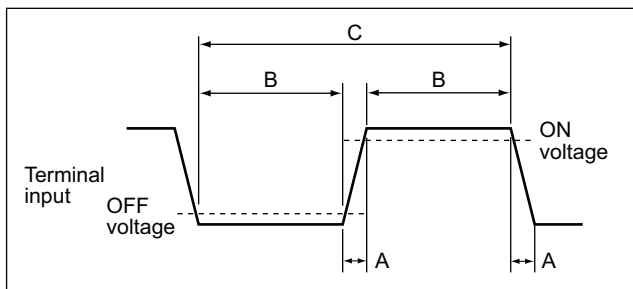
Item	Specification
Counter point	2 points
Input signal	Counter phase A Counter phase B Counter phase Z Latch input (A/B) Counter reset input
Counter enabled status display	LED display (green)
Input indicators	LED display (yellow)
Unit power supply current consumption	130 mA max. (for 20.4 to 26.4 VDC power supply voltage)
Weight	390 g max.

● Pulse input specifications

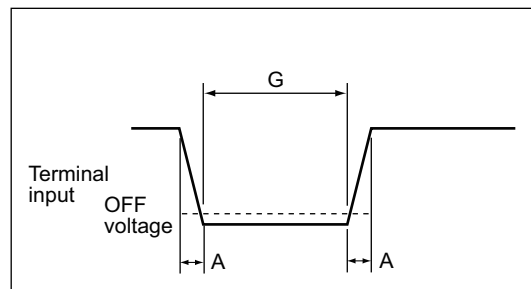
Item	Specification			
	Counter phase A/B		Counter phase Z	
Input voltage	20.4 to 26.4 VDC (24 VDC -15 to +10%)	4.5 to 5.5 VDC (5 VDC \pm 5%)	20.4 to 26.4 VDC (24 VDC -15 to +10%)	4.5 to 5.5 VDC (5 VDC \pm 5%)
Input current	8.4 mA (at 24 VDC)	8.6 mA (at 5 VDC)	8.4 mA (at 24 VDC)	8.6 mA (at 5 VDC)
ON voltage	19.6 V min.	4.5 V min.	18.6 V min.	4.5 V min.
OFF voltage	4 V max.	1.5 V max.	4 V max.	1.5 V max.
Input restriction resistance	2.7 k Ω	430 Ω	2.7 k Ω	430 Ω
Maximum response frequency	Single phase 500 kHz (phase difference Multiplication \times 4, 125 kHz)		125 kHz	
Filter switching	NA		NA	

● Pulse input timing specifications

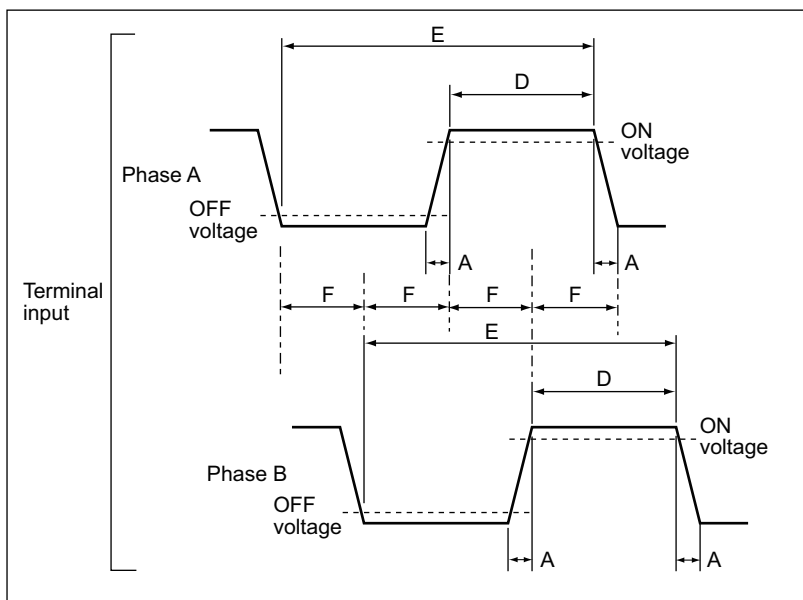
Counter input phase A/B
Input pulse duty: 50%



Counter input phase Z



Relationship between phase A and phase B at phase difference pulse input



Timing condition						
A	B	C	D	E	F	G
<0.3 μs	>1 μs	>2 μs	>4 μs	>8 μs	>2 μs	>4 μs



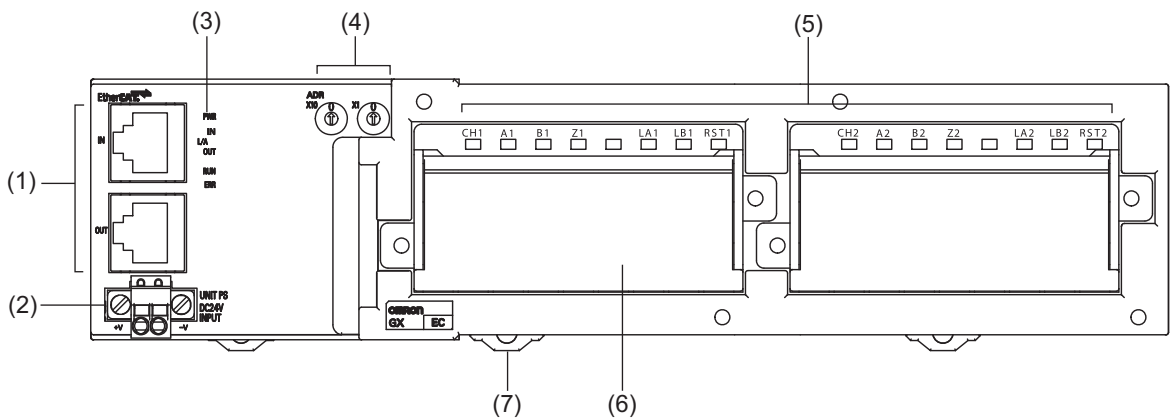
Precautions for Correct Use

In order to satisfy the counter input specifications, it is necessary to pay attention to the type of output driver of the encoder to be used, the length of encoder cable, and frequency of count pulse.

● Latch/reset input specifications

Item	Specification	
	Latch input (A/B)	Reset input
Internal I/O common	NPN	
Input voltage	20.4 to 26.4 VDC (24 VDC -15 to +10%)	20.4 to 26.4 VDC (24 VDC -15 to +10%)
Input impedance	4.0 kΩ	3.3 kΩ
Input current	5.5 mA (at 24 VDC)	7 mA (at 24 VDC)
ON voltage/ON current	17.4 VDC min./3 mA min.	14.4 VDC min./3 mA min.
OFF voltage/OFF current	5 VDC max./1 mA max.	5 VDC max./1 mA max.
ON response time	3 μs max.	15 μs max.
OFF response time	3 μs max.	90 μs max.

Names and functions



● Terminal/input display LED layout diagram

	CH1									CH2								
	CH1	A1	B1	Z1	LA1	LB1	RST1	CH2	A2	B2	Z2	LA2	LB2	RST2				
1 to 9	RSV	RSV	V1	V1	V1	RSV	LA1	LB1	RST1	RSV	RSV	V1	V1	V1	RSV	LA2	LB2	RST2
10 to 18	V1	V1	A24	B24	Z24	V2	V2	V2	V2	V1	V1	A24	B24	Z24	V2	V2	V2	V2
19 to 27	G1	G1	A5	B5	Z5	G2	G2	G2	G2	G1	G1	A5	B5	Z5	G2	G2	G2	G2

No.	Name	Function
(1)	Communications connectors	Refer to "6-3 Specifications of Common Areas" Page 6 - 4.
(2)	Unit power supply connector	
(3)	Status indicators	
(4)	Node address switches	
(5)	Input indicators	The indicators show the status of the inputs of each channel. For details, refer to the next section "Input indicators".
(6)	Terminal block	Connects external devices and the I/O power supply. For details, refer to the next section "Terminal block".
(7)	DIN track mounting hook	Fixes a Slave Unit to a DIN track.

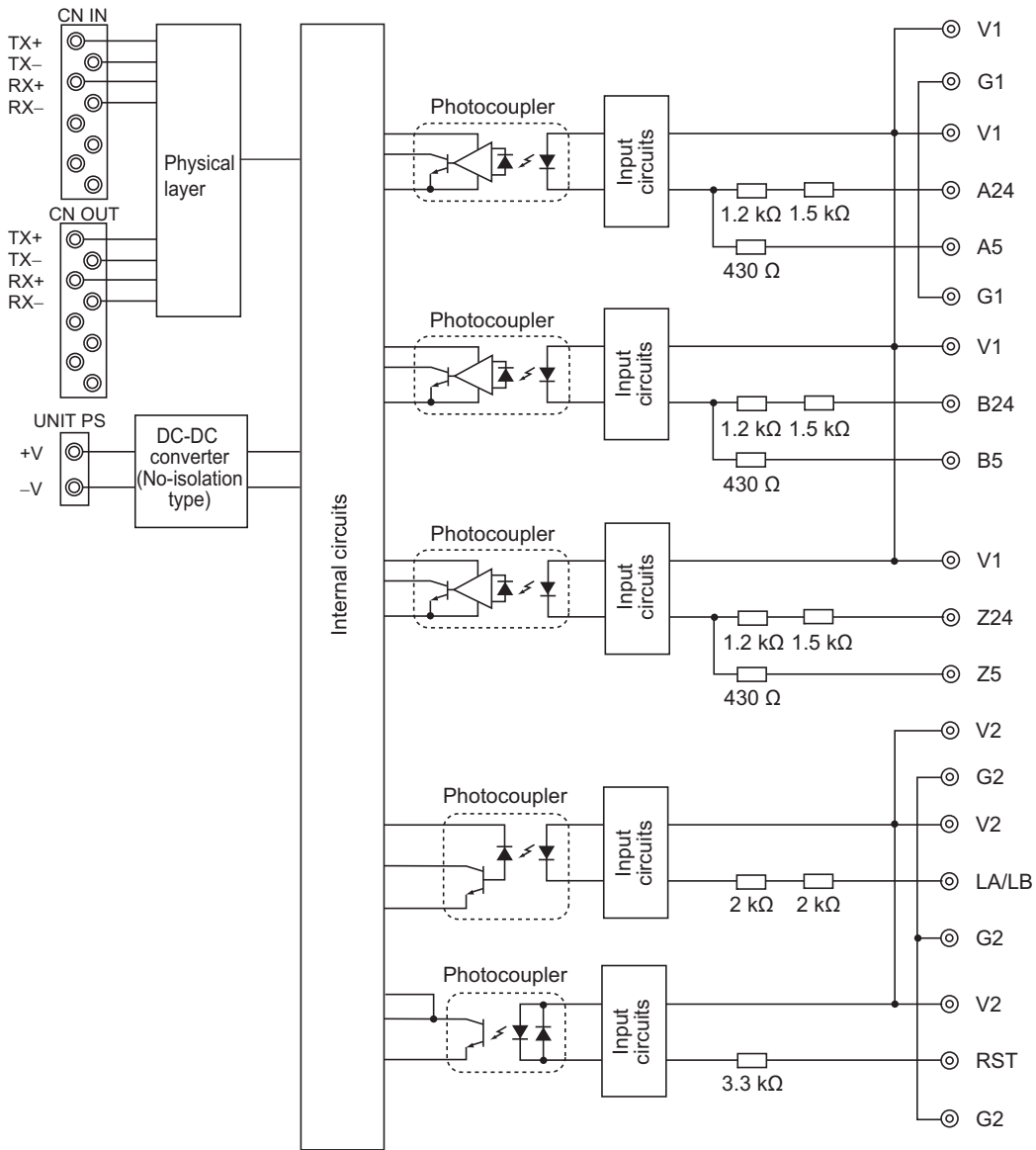
- Input indicators

CH1			CH2		
Name	State	Contents	Name	State	Contents
CH1	Lit green.	Counter operating	CH2	Lit green.	Counter operating
	OFF	Counter stopped		OFF	Counter stopped
A1	Lit yellow.	Input A (phase A signal/count pulse signal/incremental count signal) available	A2	Lit yellow.	Input A (phase A signal/count pulse signal/incremental count signal) available
	OFF	Input A (phase A signal/count pulse signal/incremental count signal) not available		OFF	Input A (phase A signal/count pulse signal/incremental count signal) not available
B1	Lit yellow.	Input B (phase B signal/count direction control signal/decremental count signal) available	B2	Lit yellow.	Input B (phase B signal/count direction control signal/decremental count signal) available
	OFF	Input B (phase B signal/count direction control signal/decremental count signal) not available		OFF	Input B (phase B signal/count direction control signal/decremental count signal) not available
Z1	Lit yellow.	Phase Z input available	Z2	Lit yellow.	Phase Z input available
	OFF	Phase Z input not available		OFF	Phase Z input not available
LA1	Lit yellow.	External latch input A available	LA2	Lit yellow.	External latch input A available
	OFF	External latch input A not available		OFF	External latch input A not available
LB1	Lit yellow.	External latch input B available	LB2	Lit yellow.	External latch input B available
	OFF	External latch input B not available		OFF	External latch input B not available
RST1	Lit yellow.	External reset input available	RST2	Lit yellow.	External reset input available
	OFF	External reset input not available		OFF	External reset input not available

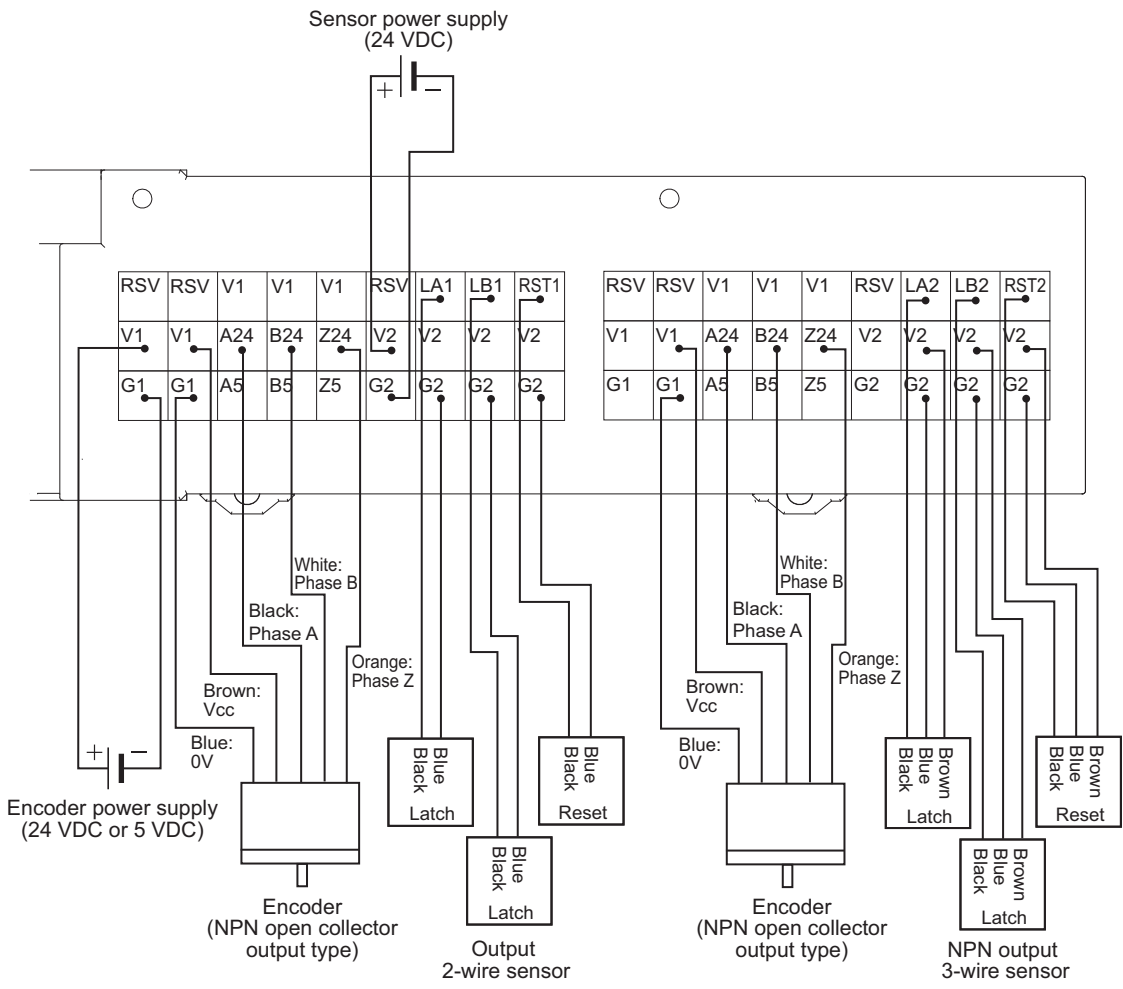
- Terminal block

CH	Terminal block number	Terminal name	Contents
CH1 CH2	1	RSV	-
	2	RSV	-
	3	V1	Encoder power supply input (power supply input at twisted-pair wiring)
	4	V1	Encoder power supply input (power supply input at twisted-pair wiring)
	5	V1	Encoder power supply input (power supply input at twisted-pair wiring)
	6	RSV	-
	7	LA1/LA2	Latch A input
	8	LB1/LB2	Latch B input
	9	RST1/RST2	Reset input
	10	V1	Encoder power supply input
	11	V1	Encoder power supply output
	12	A24	Phase A input (24 V)
	13	B24	Phase B input (24 V)
	14	Z24	Phase Z input (24 V)
	15	V2	Sensor power supply input
	16	V2	Sensor power supply output
	17	V2	Sensor power supply output
	18	V2	Sensor power supply output
	19	G1	Encoder power supply input
	20	G1	Encoder power supply output
	21	A5	Phase A input (5 V)
	22	B5	Phase B input (5 V)
	23	Z5	Phase Z input (5 V)
	24	G2	Sensor power supply input
	25	G2	Sensor power supply output
	26	G2	Sensor power supply output
	27	G2	Sensor power supply output

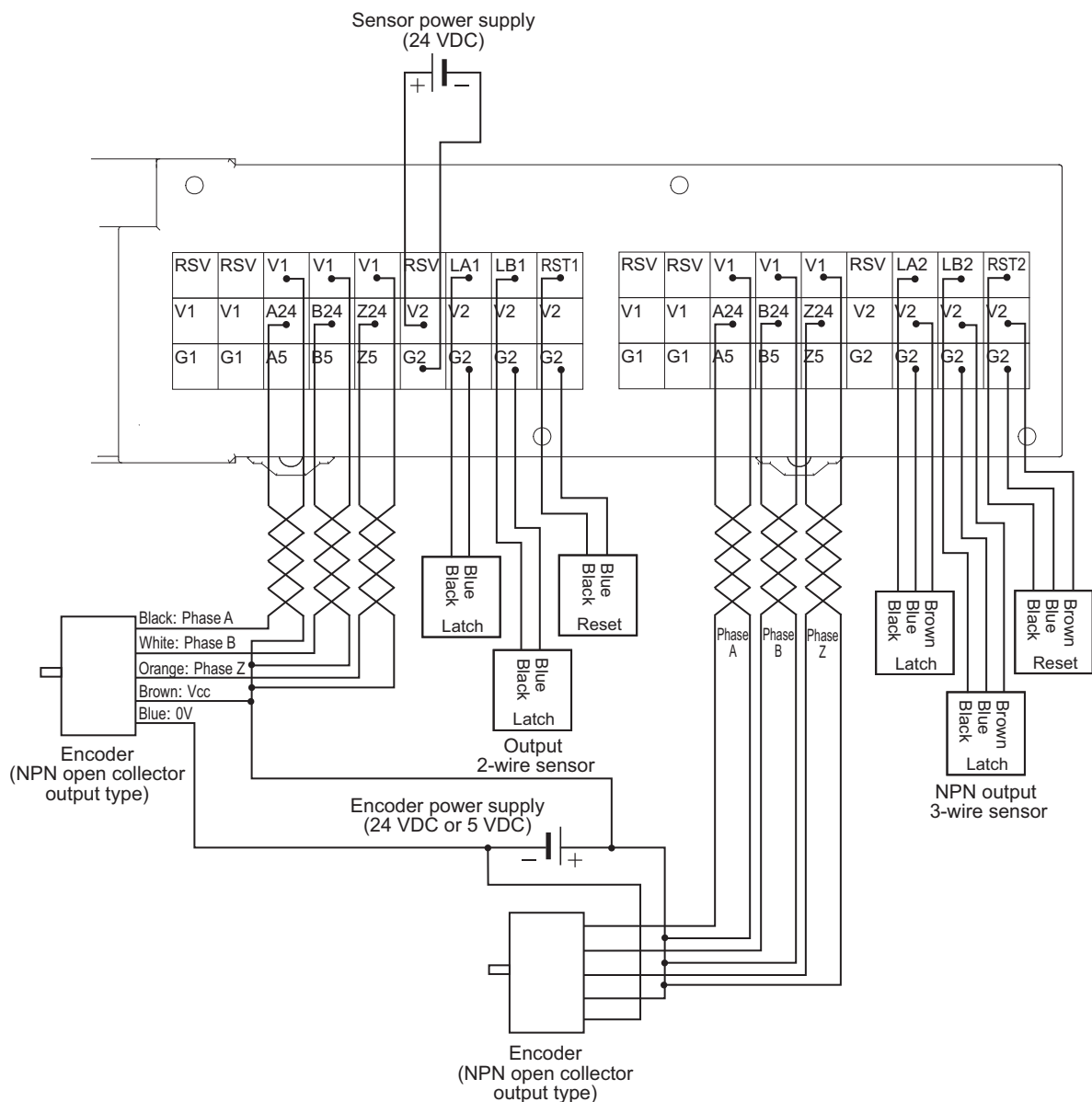
Internal circuits diagram



Wiring diagram



Note: Always wire the V1 and G1 as indicated above.



Precautions for Correct Use

- Use shielded cable and ground the shield to 100 Ω or less when wiring pulse input A/B/Z with external control inputs.
- Wiring of pulse input A/B/Z shall be as short as possible and separated from wiring with many noises such as power lines.
- Use stabilizing power supply separate from other inputs/outputs for Encoder Input Slave Units as much as possible.
- Do not wire anything to RSV terminals.
- V1, G1, V2, and G2 terminals shall be wired as shown in the above wiring diagram.

9-4-2 Line Driver Input Type GX-EC0241

Specification

● Slave Unit specifications

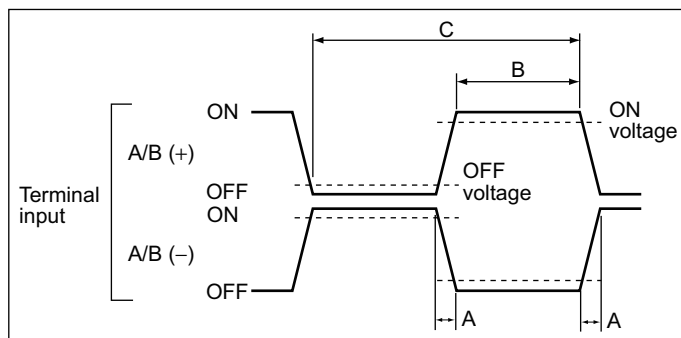
Item	Specification
Counter point	2 points
Input signal	Counter phase A Counter phase B Counter phase Z Latch input (A/B) Counter reset input
Counter enabled status display	LED display (green)
Input indicators	LED display (yellow)
Unit power supply current consumption	100 mA max. (for 20.4 to 26.4 VDC power supply voltage)
Weight	390 g max.

● Pulse input specifications

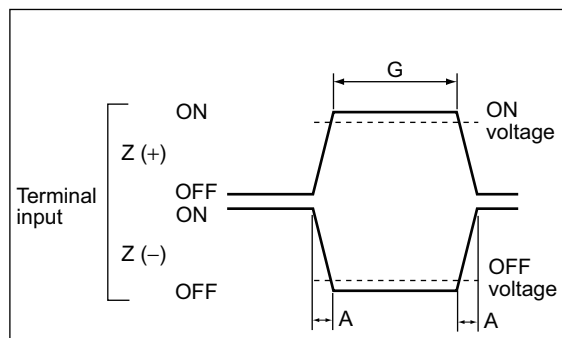
Item	Specification	
	Counter phase A/B	Counter phase Z
Input voltage	EIA standard RS-422-A line driver level	
Input impedance	120 Ω \pm 5%	
gH level input voltage	0.1 V	
gL level input voltage	-0.1 V	
Hysteresis voltage	60 mV	
Maximum response frequency	Single phase 4 MHz (phase difference Multiplication \times 4, 1 MHz)	1 MHz
Filter switching	NA	

● Pulse input timing specifications

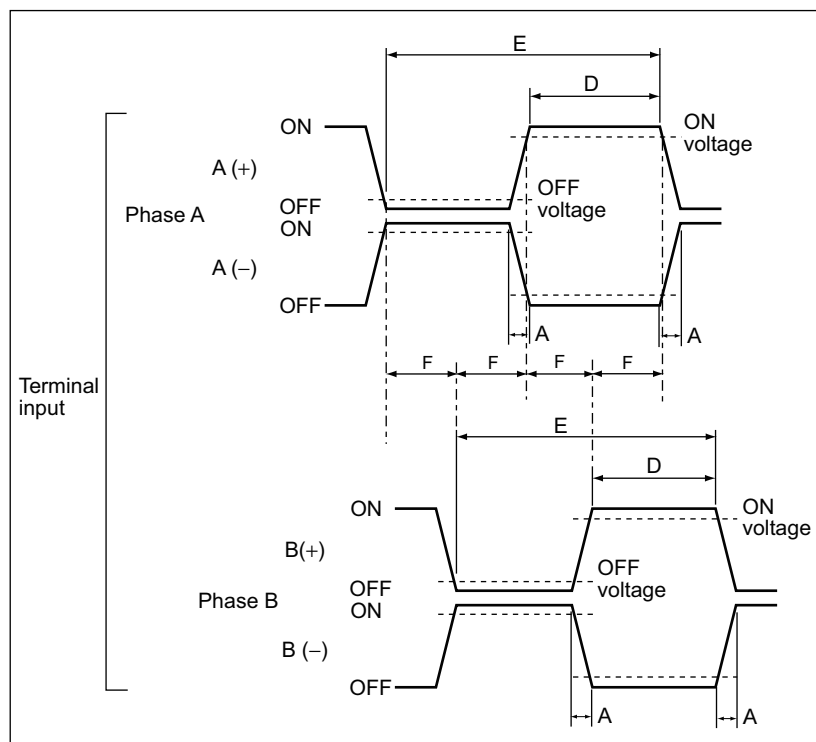
Counter input phase A/B
Input pulse duty: 50%



Counter input phase Z



Relationship between phase A and phase B at phase difference pulse input



Timing condition						
A	B	C	D	E	F	G
<25 ns	>125 ns	>250 ns	>0.5 μs	>1 μs	>0.25 μs	>0.5 μs



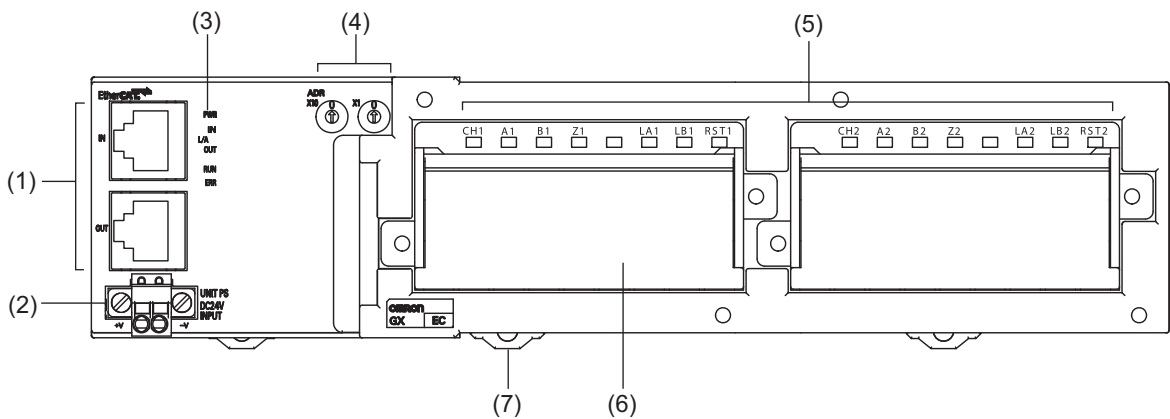
Precautions for Correct Use

In order to satisfy the counter input specifications, it is necessary to pay attention to the type of output driver of the encoder to be used, the length of encoder cable, and frequency of count pulse.

● Latch/reset input specifications

Item	Specification	
	Latch input (A/B)	Reset input
Internal I/O common	PNP	
Input voltage	20.4 to 26.4 VDC (24 VDC -15 to +10%)	20.4 to 26.4 VDC (24 VDC -15 to +10%)
Input impedance	4.0 kΩ	3.3 kΩ
Input current	5.5 mA (at 24 VDC)	7 mA (at 24 VDC)
ON voltage/ON current	17.4 VDC min./3 mA min.	14.4 VDC min./3 mA min.
OFF voltage/OFF current	5 VDC max./1 mA max.	5 VDC max./1 mA max.
ON response time	3 μs max.	15 μs max.
OFF response time	3 μs max.	90 μs max.

Names and Functions



● Terminal/input display LED layout diagram

	CH1									CH2									
	CH1	A1	B1	Z1	LA1	LB1	RST1			CH2	A2	B2	Z2	LA2	LB2	RST2			
1 to 9	RSV	RSV	RSV	RSV	RSV	RSV	RSV	LA1	LB1	RST1	RSV	RSV	RSV	RSV	RSV	RSV	LA2	LB2	RST2
10 to 18	V1	V1	A+	B+	Z+	V1	V1	V1	V1	V1	V1	A+	B+	Z+	V1	V1	V1	V1	V1
19 to 27	G1	G1	A-	B-	Z-	G1	G1	G1	G1	G1	G1	A-	B-	Z-	G1	G1	G1	G1	G1

No.	Name	Function
(1)	Communications connectors	Refer to "6-3 Specifications of Common Areas" Page 6 - 4.
(2)	Unit power supply connector	
(3)	Status indicators	
(4)	Node address switches	
(5)	Input indicators	The indicators show the status of the inputs of each channel. For details, refer to the next section "Input indicators".
(6)	Terminal block	Connects external devices and the I/O power supply. For details, refer to the next section "Terminal block".
(7)	DIN track mounting hook	Fixes a Slave Unit to a DIN track.

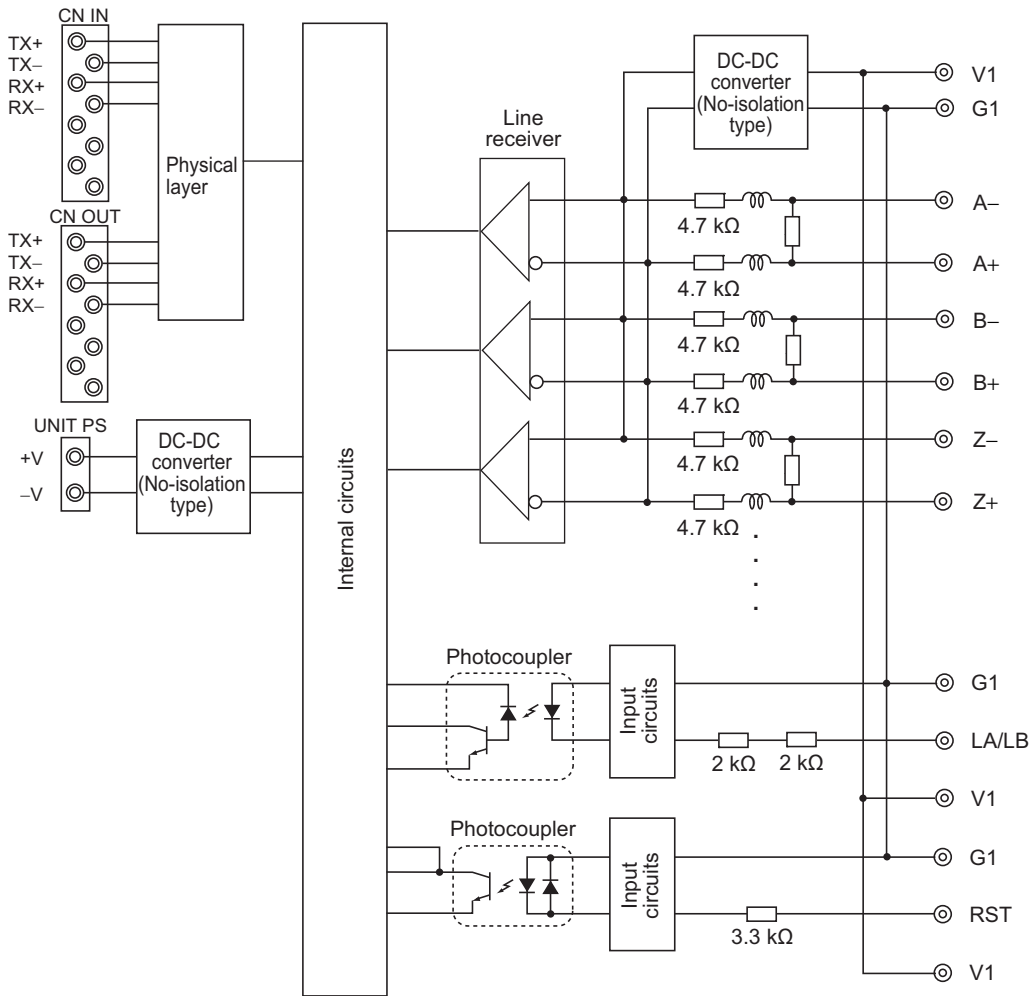
- Input indicators

CH1			CH2		
Name	State	Contents	Name	State	Contents
CH1	Lit green.	Counter operating	CH2	Lit green.	Counter operating
	OFF	Counter stopped		OFF	Counter stopped
A1	Lit yellow.	Input A (phase A signal/count pulse signal/incremental count signal) available	A2	Lit yellow.	Input A (phase A signal/count pulse signal/incremental count signal) available
	OFF	Input A (phase A signal/count pulse signal/incremental count signal) not available		OFF	Input A (phase A signal/count pulse signal/incremental count signal) not available
B1	Lit yellow.	Input B (phase B signal/count direction control signal/decremental count signal) available	B2	Lit yellow.	Input B (phase B signal/count direction control signal/decremental count signal) available
	OFF	Input B (phase B signal/count direction control signal/decremental count signal) not available		OFF	Input B (phase B signal/count direction control signal/decremental count signal) not available
Z1	Lit yellow.	Phase Z input available	Z2	Lit yellow.	Phase Z input available
	OFF	Phase Z input not available		OFF	Phase Z input not available
LA1	Lit yellow.	External latch input A available	LA2	Lit yellow.	External latch input A available
	OFF	External latch input A not available		OFF	External latch input A not available
LB1	Lit yellow.	External latch input B available	LB2	Lit yellow.	External latch input B available
	OFF	External latch input B not available		OFF	External latch input B not available
RST1	Lit yellow.	External reset input available	RST2	Lit yellow.	External reset input available
	OFF	External reset input not available		OFF	External reset input not available

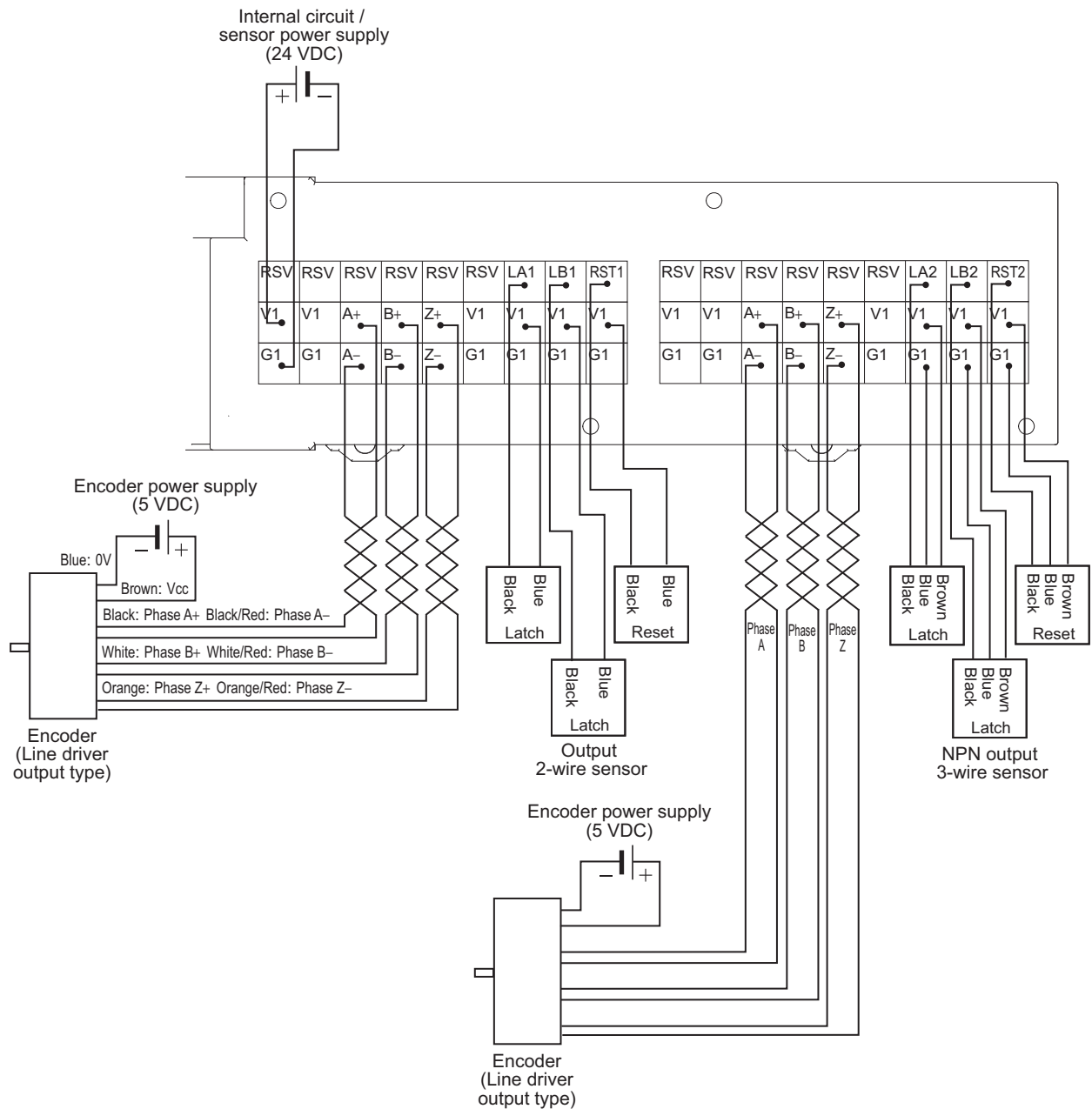
- Terminal block

CH	Terminal block number	Terminal name	Contents
CH1 CH2	1	RSV	-
	2	RSV	-
	3	RSV	-
	4	RSV	-
	5	RSV	-
	6	RSV	-
	7	LA1/LA2	Latch A input
	8	LB1/LB2	Latch B input
	9	RST1/RST2	Reset input
	10	V1	Internal circuit/sensor power supply input
	11	V1	(Spare)
	12	A+	Phase A input (+)
	13	B+	Phase B input (+)
	14	Z+	Phase Z input (+)
	15	V1	(Spare)
	16	V1	Sensor power supply output
	17	V1	Sensor power supply output
	18	V1	Sensor power supply output
	19	G1	Internal circuit/sensor power supply input
	20	G1	(Spare)
	21	A-	Phase A input (-)
	22	B-	Phase B input (-)
	23	Z-	Phase Z input (-)
	24	G1	(Spare)
	25	G1	Sensor power supply output
	26	G1	Sensor power supply output
	27	G1	Sensor power supply output

Internal circuits diagram



Wiring diagram

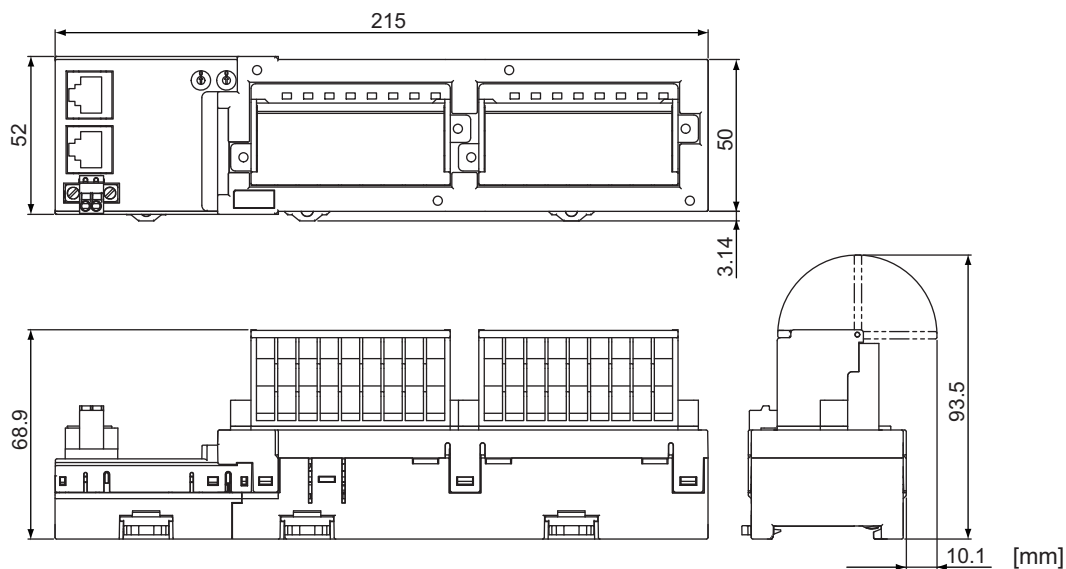


Precautions for Correct Use

- Use shielded cable and ground the shield to 100 Ω or less when wiring pulse input A/B/Z with external control inputs.
- Wiring of pulse input A/B/Z shall be as short as possible and separated from wiring with many noises such as power lines.
- Use stabilizing power supply separate from other inputs/outputs for Encoder Input Slave Units as much as possible.
- Do not wire anything to RSV terminals.

9-5 Mounting Dimensions

The mounting dimensions of an Encoder Input Slave Unit are shown below.



IO-Link Master Unit

10-1 What Is an IO-Link Master Unit?	10-2
10-1-1 Introduction	10-2
10-1-2 Connection Configuration for EtherCAT Communications Master Unit and IO-Link Devices	10-2
10-1-3 Support Software to Be Used	10-3
10-2 I/O Data Allocations: PDO Mapping	10-4
10-2-1 Allocating Input Data	10-4
10-2-2 Allocating Output Data	10-6
10-3 Functions of the IO-Link Master Unit	10-7
10-4 Specifications	10-9
10-4-1 Specifications	10-9
10-4-2 Part Names and Functions	10-13
10-5 Mounting Dimensions	10-17
10-6 Communications Performance	10-18
10-6-1 Maximum I/O Response Time	10-18
10-6-2 Determining the IO-Link Communications Cycle	10-20
10-7 Connected Device Specifications and Models	10-21

10-1 What Is an IO-Link Master Unit?

10-1-1 Introduction

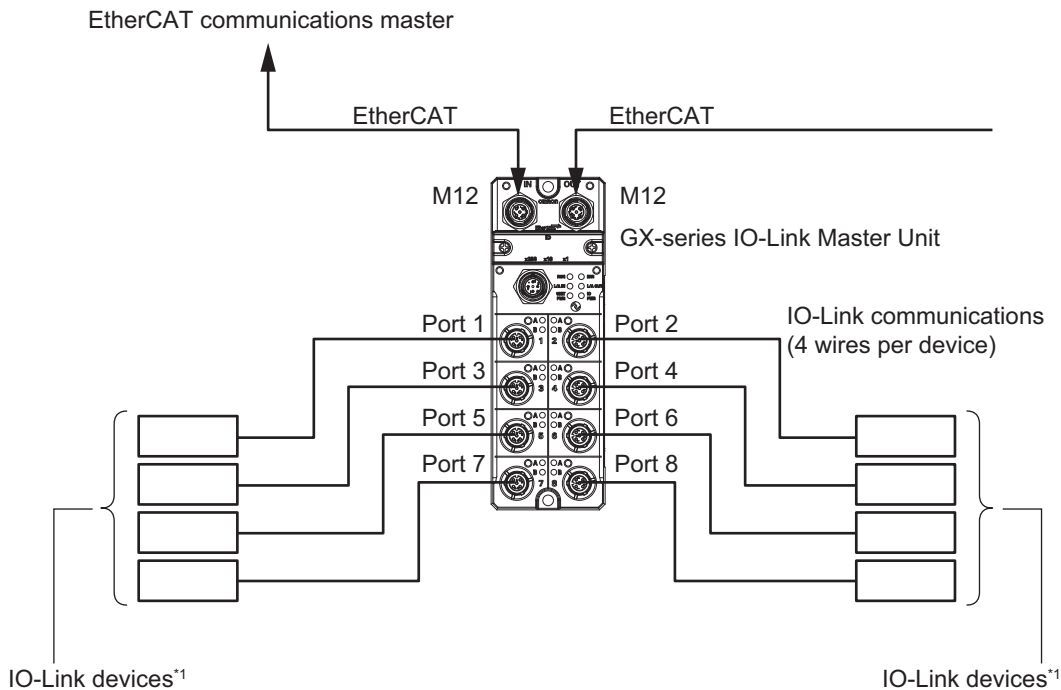
An IO-Link Master Unit is a slave that has I/O processing functions for IO-Link communications with IO-Link devices and I/O processing functions for digital I/O data (ON/OFF signals) with non-IO_Link devices.

For an IO-Link Master Unit, processing functions can be assigned for each port to combine different types of I/O processing functions.

Also, with IO-Link devices that support digital inputs with Pin 2, the IO-Link Master Unit can simultaneously perform both IO-Link communications and receive digital inputs.

10-1-2 Connection Configuration for EtherCAT Communications Master Unit and IO-Link Devices

A GX-series IO-Link Master Unit connects to IO-Link devices and the EtherCAT Master Unit as shown below.



*1 Non-IO-Link devices can also be connected.

10-1-3 Support Software to Be Used

The following support software tools are used for IO-Link Systems.

Controller	Application			
	I/O allocation setting for controller	PDO assignment setting	IO-Link master setting	Settings/monitor for I/O-Link device
NJ/NX-series CPU Unit	Sysmac Studio	Sysmac Studio	Sysmac Studio	CX-ConfiguratorFDT
NY-series Industrial PC				
Controllers from other manufacturers	EtherCAT configuration tool from other manufacturers	EtherCAT configuration tool from other manufacturers	EtherCAT configuration tool from other manufacturers	Configured via message communications from a master manufactured by other manufacturers

For the versions of the Sysmac Studio and CX-ConfiguratorFDT that are compatible with the IO-Link Master Unit, refer to *A-7 Version Information* on page A-83.

10-2 I/O Data Allocations: PDO Mapping

The data in the IO-Link Master Unit is allocated in the OUT and IN areas in the I/O memory of the EtherCAT Master Unit.

Also, the Sysmac error status is allocated to the IN area of I/O memory of the EtherCAT Master Unit. Refer to the manual of the EtherCAT Master Unit for allocation methods.



Precautions for Correct Use

Allocate the process input and process output data for IO-Link devices consecutively starting from data 01. A setting error will occur if any data is skipped or not in order.



Version Information

For unit version 1.1 or later, Digital Input Data and Digital Output Data are allocated by default.



Precaution for Safe Use

Default values of I/O allocation differ between the IO-Link Master Unit with unit version 1.0 and one with unit version 1.1.

If you replace the Unit with unit version 1.0 with one with unit version 1.1 or later, make the I/O allocation same for both Units.

Replacing the Unit without changing the I/O allocation may result in erroneous output, erroneous input, and a change in the timing of I/O.

10-2-1 Allocating Input Data

The IO-Link Master Unit has the following types of input data. You can allocate the required data in the IN area. You can also allocate Sysmac error status.

Data name	Size	Default I/O allocation	Details
I/O Port Status	2 bytes	Yes	Indicates whether process input data (IO-Link input data, digital inputs from Pin 2, and digital input data) is enabled or disabled for each port. Also indicates the status of the I/O power supply to the IO-Link Master Unit.
I/O Port Error Status	8 bytes	Yes	Indicates the following errors for each port: IO-Link communications error, short-circuit in I/O cable, device configuration verification error, device I/O size error, PDO mapping error, error-level device event, and information-level device event
Digital Input Data	2 bytes	*1	Digital inputs with Pin 2 in IO-Link Mode, data collected in IO-Link Mode and when the digital input data collection function is enabled, or digital input data in SIO (DI) Mode.*2
Port 1 IO-Link Input Data	32 words × 8 ports	Yes (2 bytes per port)	This is the input data from IO-Link devices such as sensors that are connected to port 1 in IO-Link Mode.
.			.
Port 8 IO-Link Input Data			This is the input data from IO-Link devices such as sensors that are connected to port 8 in IO-Link Mode.
Sysmac Error Status	1 byte	Yes	Contains status flags that are used to check errors that occur and confirm when they have been eliminated.

*1 Unit version 1.0 : No
Unit version 1.1 or later : Yes

*2 The digital input data collection function is supported in IO-Link Master Unit with unit version 1.1 or later.

The following data is allocated for the default settings.

- Unit version 1.0

Input offset (words)	D15	D14	D13	D12	D11	D10	D09	D08	D07	D06	D05	D04	D03	D02	D01	D00
0	D15: I/O Power On/Off Status, D14: IO-Link Communications Module Processing Error, D08 to D13: Not used.								Input Data Enabled Flags							
+1	Error Status for I/O Port 2								Error Status for I/O Port 1							
+2	Error Status for I/O Port 4								Error Status for I/O Port 3							
+3	Error Status for I/O Port 6								Error Status for I/O Port 5							
+4	Error Status for I/O Port 8								Error Status for I/O Port 7							
+5	Port 1 IO-Link Input Data 01 Upper Byte								Port 1 IO-Link Input Data 01 Lower Byte							
+6	Port 2 IO-Link Input Data 01 Upper Byte								Port 2 IO-Link Input Data 01 Lower Byte							
.	.								.							
.	.								.							
+12	Port 8 IO-Link Input Data 01 Upper Byte								Port 8 IO-Link Input Data 01 Lower Byte							
+13	Not used.								D00: Newest Message							
+14	Not used.								Sysmac Error Status							

- Unit version 1.1 or later

Input offset (words)	D15	D14	D13	D12	D11	D10	D09	D08	D07	D06	D05	D04	D03	D02	D01	D00
0	D15: I/O Power On/Off Status, D14: IO-Link Communications Module Processing Error, D08 to D13: Not used.								Input Data Enabled Flags							
+1	Error Status for I/O Port 2								Error Status for I/O Port 1							
+2	Error Status for I/O Port 4								Error Status for I/O Port 3							
+3	Error Status for I/O Port 6								Error Status for I/O Port 5							
+4	Error Status for I/O Port 8								Error Status for I/O Port 7							
+5	Digital Input Data Upper Byte								Digital Input Data Lower Byte							
+6	Port 1 IO-Link Process Input Data 01 Upper Byte								Port 1 IO-Link Process Input Data 01 Lower Byte							
+7	Port 2 IO-Link Process Input Data 01 Upper Byte								Port 2 IO-Link Process Input Data 01 Lower Byte							
.	.								.							
.	.								.							
.	.								.							
+13	Port 8 IO-Link Process Input Data 01 Upper Byte								Port 8 IO-Link Process Input Data 01 Lower Byte							
+14	Not used.								D00: Newest Message							
+15	Not used.								Sysmac Error Status							

10-2-2 Allocating Output Data

The IO-Link Master Unit has the following types of output data. You can allocate the required data in the OUT area.

Data name	Size	Default I/O allocation	Details
Digital Output Data	2 bytes	*1	This is the digital output data in SIO(DO) Mode.
Port 1 IO-Link Process Output Data	32 words × 8 ports	Yes (2 bytes per port)	This is the output data from IO-Link devices such as actuators that are connected to port 1 in IO-Link Mode.
·			·
·			·
Port 8 IO-Link Process Output Data			This is the output data from IO-Link devices such as actuators that are connected to port 8 in IO-Link Mode.

*1 Unit version 1.0 : No
 Unit version 1.1 or later : Yes

The following data is allocated for the default settings.

- Unit version 1.0

Output offset (words)	D15	D14	D13	D12	D11	D10	D09	D08	D07	D06	D05	D04	D03	D02	D01	D00
0	Port 1 IO-Link Process Output Data 01 Upper Byte							Port 1 IO-Link Process Output Data 01 Lower Byte								
+1	Port 2 IO-Link Process Output Data 01 Upper Byte							Port 2 IO-Link Process Output Data 01 Lower Byte								
·	·							·								
·	·							·								
+7	Port 8 IO-Link Process Output Data 01 Upper Byte							Port 8 IO-Link Process Output Data 01 Lower Byte								

- Unit version 1.1 or later

Output offset (words)	D15	D14	D13	D12	D11	D10	D09	D08	D07	D06	D05	D04	D03	D02	D01	D00
0	Digital Output Data Upper Byte								Digital Output Data Lower Byte							
+1	Port 1 IO-Link Process Output Data 01 Upper Byte							Port 1 IO-Link Process Output Data 01 Lower Byte								
·	·							·								
·	·							·								
+7	Port 7 IO-Link Process Output Data 01 Upper Byte							Port 7 IO-Link Process Output Data 01 Lower Byte								
+8	Port 8 IO-Link Process Output Data 01 Upper Byte							Port 8 IO-Link Process Output Data 01 Lower Byte								

10-3 Functions of the IO-Link Master Unit

This section provides an overview of the functions of the IO-Link Master Unit.
For details, refer to the *IO-Link System User's Manual (W570)*.

Function name		Description
Communications	Cyclic communications	I/O data (process data) in the IO-Link devices is cyclically exchanged with the IO-Link Master Unit as the IO-Link communications master. At the same time, this data and the status of the IO-Link Master Unit is cyclically shared with the host communications master, with the IO-Link Master Unit operating as the host communications slave. Cyclic communications can be used to check the amount of detection performance deterioration in devices, and to check changes in usage conditions (e.g., amount of incident light for photoelectric sensors, stability detection margins, and excessive proximity for proximity sensors).
	Message communications	The host communications master can send messages (commands) to the IO-Link Master Unit and receive the response from the IO-Link Master Unit. The IO-Link Master Unit can also function as a gateway to send messages (commands and responses) between the host communications master and the IO-Link devices. Refer to 6-3 <i>Message Communications</i> in the <i>IO-Link System User's Manual (Cat. No. W568)</i> . During operation, you can change and adjust device parameters (e.g., threshold settings, tuning execution, and ON-delay time changes) from a program. During operation, you can check the internal status, such as the operating times of devices.
Communications mode settings		You can select any of the following modes for each port: IO-Link Mode, SIO (DI) Mode, SIO (DO) Mode, and Disable Port. This allows you to combine IO-Link communications and digital I/O in a single terminal or unit.
	Digital inputs for Pin 2	In IO-Link Mode, you can perform digital input with Pin 2 while performing IO-Link communications.
Automatic baud rate setting for IO-Link communications		The IO-Link Master Unit automatically matches the specific baud rates (COM1, COM2, or COM3) of the IO-Link devices to communicate with the IO-Link devices. Therefore, it is not necessary to set the baud rate of the connected device for each port.
Connected device verification		This function is used to verify the configuration of IO-Link devices that are registered for connection to the IO-Link Master Unit (as set in the IO-Link Device Configuration Settings or the IO-Link Device Information Area) when the power supply is turned ON . The user can enable or disable connected device verification.
IO-Link communications error detection		This function detects I/O cable breaks, disconnections from IO-Link device ports, error-level device events, device configuration verification errors, and IO-Link device malfunctions.
Detection of short-circuits in I/O cables		This function detects short-circuits in device cables.
Input Data Enabled Flags		The host controller can use the process Input Data Enabled Flags to determine whether the IO-Link input data for IO-Link communications is valid.

Function name	Description
Load rejection for controller communications error	<p>This function turns OFF outputs from the IO-Link Master Unit when an error occurs in communications with the controller in IO-Link Mode or in an SIO mode.</p> <p>This prevents output operations with incorrect values when a communications error occurs.</p>
IO-Link total communications lost frames	<p>The IO-Link total communications lost frames can be read from the CX-ConfiguratorFDT.</p> <p>You can use this function to determine communications status as affected by IO-Link communications noise or other factors.</p>
Digital input filter	<p>You can remove the chattering and noise of the input signal for digital inputs in SIO (DI) Mode or for digital inputs for pin 2 in IO-Link Mode.</p> <p>When the input data changes without stabilization of the state of the contact point due to chattering and noise, this function prevents changes in data and stabilizes it.</p>
Digital input collection (Unit version 1.1 or later)	<p>In IO-Link Mode, this function reflects the specified bit data in the input data from the IO-Link device on the digital input data of the IO-Link Master Unit. As a result, the bit data in the input data from the IO-Link device can be aggregated into the digital input data of the IO-Link Master Unit. One bit for each IO-Link port can be aggregated. This function cannot be used in SIO (DI) Mode and SIO (DO) Mode.</p> <p>If you are using this function, you cannot perform digital inputs for pin 2.</p>
Backup and restoration of parameter settings in IO-Link devices	<p>This function is used to back up parameter settings in IO-Link devices in the IO-Link Master Unit or restore them to IO-Link devices.</p> <p>This eliminates the need to set parameters again after replacing an IO-Link device.</p>
Event log	<p>This function records events, such as errors and status changes, that occur in the IO-Link Master Unit and IO-Link devices.</p>

10-4 Specifications

This section gives the specifications and part names of the IO-Link Master Unit, describes its functions, and provides wiring diagrams.

10-4-1 Specifications

● Communications Specifications

The following table gives the EtherCAT communications specifications of the GX-ILM08C. Refer to "6-1 EtherCAT Communications Specifications" in Page 6 - 2 for the EtherCAT communications specifications for GX-series Digital I/O Slave Units, Analog I/O Slave Units, and Encoder Input Slave Units.

Item	Specification
Communications protocol	EtherCAT protocol
Modulation	Baseband
Baud rate	100 Mbps
Physical layer	100BASE-TX (IEEE 802.3)
Connectors	M12 (D-coding, female) × 2 (shielded) CN IN: EtherCAT input CN OUT: EtherCAT output
Topology	Depends on the specifications of the EtherCAT master ^{*1}
Communications media	Category 5 or higher (cable with double, aluminum tape and braided shielding is recommended.)
Communications distance	Distance between nodes (Slave Units): 100 m max.
Noise resistance	Conforms to IEC 61000-4-4, 1 kV or higher.
Node address setting method	Set on hexadecimal node address switches or with a Configuration Tool.
Node address range	000 to FFF hex (0 to 4,095 decimal): Set on node address switches or with a Configuration Tool.
Indicators	UNIT PWR × 1 IO PWR × 1 L/A IN (Link/Activity IN) × 1 L/A OUT (Link/Activity OUT) × 1 RUN × 1 ERR × 1
Process data	Variable PDO mapping
PDO size/node	2 to 270 bytes
Mailbox	Emergency messages, SDO requests, SDO responses, and SDO information
Synchronization mode	Free Run Mode (asynchronous)

*1 The EtherCAT Remote I/O Terminal conforms to EtherCAT standards. Confirm the specifications of the connected EtherCAT master for the support topology. The EtherCAT Remote I/O Terminal with unit version 1.2 or later supports a ring topology.

● General Specifications

The following table gives the general specifications of the GX-ILM08C.

Item	Specification
Unit power supply voltage	20.4 to 26.4 VDC (24 VDC -15%/+10%)
I/O power supply	20.4 to 26.4 VDC (24 VDC -15%/+10%)
Noise resistance	Conforms to IEC 61000-4-4, 2 kV (power line).
Vibration resistance	Malfunction: 10 to 60 Hz with amplitude of 0.7 mm, 60 to 150 Hz and 50 m/s ² for 80 minutes each in X, Y, and Z directions
Shock resistance	150 m/s ² with amplitude of 0.7 mm
Dielectric strength	600 VAC (between isolated circuits)
Insulation resistance	20 MΩ min. (between isolated circuits)
Ambient operating temperature	-10 to 55°C
Ambient operating humidity	25% to 85% (with no condensation)
Ambient operating atmosphere	No corrosive gases
Altitude	2,000 m max.
Storage temperature	-25 to 65°C
Storage humidity	25% to 85% (with no condensation)
Degree of protection	IP67
Mounting	M5 screw mounting
Mounting strength	100 N
Communications connector strength	30 N
Connector types	Connectors for EtherCAT communications: M12 (D-coding, female) × 2 Power supply connector: M12 (A-coding, male) × 1 I/O connectors: M12 (A-coding, female) ^{*1} × 8
Screw tightening torque ^{*2}	Round connectors (communications connector, power supply, and I/O): 0.39 to 0.49 N·m M5 (Unit mounted from the front): 1.47 to 1.96 N·m Cover for node address setting switches: 0.4 to 0.6 N·m
Applicable standards	EU: EN 61131-2, RCM, KC, cULus, and IO-Link conformance

*1 Confirms to Class A when used as an IO-Link connector.

*2 For SmartClick Connectors, insert the Connector all the way and turn it approx. 1/8 of a turn. Torque management is not required.

● Unit Specifications

The specifications for the GX-ILM08C are given below.

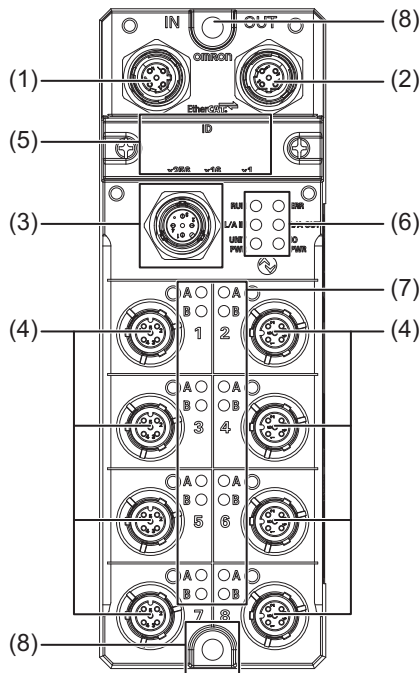
Item		Specification
Unit name		IO-Link Master Unit
Model		GX-ILM08C
Number of IO-Link ports		8
Communications specifications	Baud rate	COM1: 4.8 kbps COM2: 38.4 kbps COM3: 230.4 kbps
	Rated voltage	24 VDC (20.4 to 26.4 VDC)
Device power supply ^{*1} in IO-Link Mode or SIO (DI) Mode	Maximum load current	0.2 A/port
	Short-circuit protection	Yes
	Internal I/O common	PNP
Digital inputs (in SIO (DI) Mode)	Rated voltage	24 VDC (20.4 to 26.4 VDC)
	Input current	5 mA typical (at 24 VDC)
	ON voltage/ON current	15 VDC min., 5 mA min.
	OFF voltage	5 VDC max.
	Input filter time	No filter, 0.25 ms, 0.5 ms, 1 ms (default), 2 ms, 4 ms, 8 ms, 16 ms, 32 ms, 64 ms, 128 ms, or 256 ms
	Output type	Push-pull
Digital outputs (in SIO (DIO) Mode)	Rated voltage	24 VDC (20.4 to 26.4 VDC)
	Maximum load current	0.3 A/port
	Short-circuit protection	Provided.
	Leakage current	0.1 mA max.
	Residual voltage	1.5 V max.
	Internal I/O common	PNP
	Rated voltage	24 VDC (20.4 to 26.4 VDC)
Digital inputs for Pin 2 (in IO-Link Mode)	Input current	2 mA (24 VDC)
	ON voltage/ON current	15 VDC min., 2 mA min.
	OFF voltage	5 VDC max.
	Input filter time	No filter, 0.25 ms, 0.5 ms, 1 ms (default), 2 ms, 4 ms, 8 ms, 16 ms, 32 ms, 64 ms, 128 ms, or 256 ms
	Cable type	Unshielded
	Cable specifications	Cable length
Electrostatic capacity between lines		3 nF max.
Loop resistance		6 Ω max.
Dimensions		175 × 32.8 × 60 mm (W×H×D) (The height is 49.1 mm when the connectors are included.)
Isolation method	Photocoupler isolation	
I/O power supply method	Supplied from the power supply connector.	
Unit power supply current consumption	60 mA	
I/O power supply current consumption	100 mA	
Weight	430 g	

Item	Specification
<p>Circuit layout</p>	
<p>Installation orientation and restrictions</p>	<p>Installation orientation: 6 possible orientations Restrictions: No restrictions</p>
<p>Protective functions</p>	<ul style="list-style-type: none"> • Short-circuit protection for L+ terminal • Short-circuit protection for C/Q terminal

*1 I/O power supply to devices:

This is the voltage and current value supplied to devices when the communications modes of the ports on the IO-Link Master Unit are IO-Link Mode or SIO (DI) Mode. Check the power consumption of the connected device and supply the power from the I/O power supply to the IO-Link Master Unit.

10-4-2 Part Names and Functions



No.	Name	Function
(1)	EtherCAT communications connector, IN	EtherCAT cable connection: IN side M12 connector (D-coding, female)
(2)	EtherCAT communications connector, OUT	EtherCAT cable connection: OUT side M12 connector (D-coding, female)
(3)	Power supply connector	Connects to Unit power supply and I/O power supply cable. M12 connector (A-coding, male)
(4)	I/O connectors	Connect to IO-Link sensor cables (IO-Link connector type: Class A) M12 connectors (A-coding, female)
(5)	Node address setting switches	Used to set the EtherCAT node address.
(6)	Status indicators	Indicate the current status of the EtherCAT Slave Unit. (RUN, ERR, L/A IN, L/A OUT, UNIT PWR, and I/O PWR)
(7)	I/O indicators	Indicate the I/O status. (C/E and C/Q)
(8)	Mounting holes	Used to mount the Unit with M5 screws.

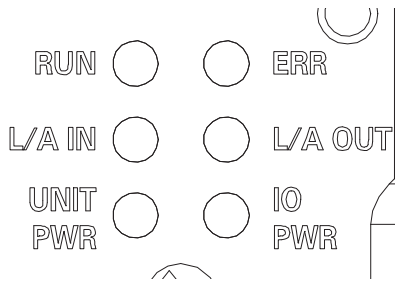


Precautions for Correct Use

The characters at the top of the node address setting switches depend on the unit version of the IO-Link Master Unit as follows:

Unit version	Characters
Unit version 1.0	NODE ADDRESS
Unit version 1.1 or later	ID

Status Indicators



- **L/A IN Indicator**

This indicator shows the input communications status.

For the indicator specifications, refer to "6-3-1 Status Indicators" in Page 6 - 4.

- **L/A OUT Indicator**

This indicator shows the output communications status.

For the indicator specifications, refer to "6-3-1 Status Indicators" in Page 6 - 4.

- **RUN Indicator**

This indicator shows the operating status of EtherCAT communications.

For the indicator specifications, refer to "6-3-1 Status Indicators" in Page 6 - 4.

- **ERR Indicator**

This indicator provides information on errors.

For the indicator specifications, refer to "6-3-1 Status Indicators" in Page 6 - 4.

- **UNIT PWR Indicator**

This indicator shows the Unit power supply status.

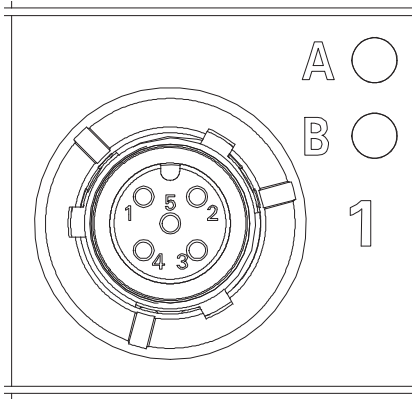
Color	Status	Meaning
Green	Lit.	The Unit power (24 VDC) is currently supplied.
	Not lit.	The Unit power is not currently supplied.

- **IO PWR Indicator**

This indicator shows the I/O power supply status.

Color	Status	Meaning
Green	Lit.	The I/O power (24 VDC) is currently supplied.
	Not lit.	The I/O power is not currently supplied.

I/O Indicators



● C/E Indicator

These indicators show the IO-Link communications status and error status.

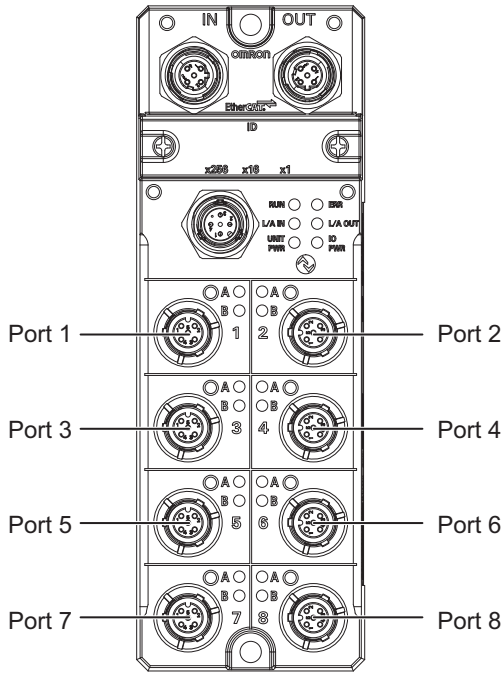
Label	Color	Status	Meaning
A	Green	Lit.	IO-Link communications are in progress during operation in IO-Link Mode.
		Not lit.	<ul style="list-style-type: none"> IO-Link communications are stopped during operation in IO-Link Mode. Operation is currently performed in SIO (DI) or SIO (DO) Mode. The port is disabled.
	Red	Flashing (1-s intervals)	There is an IO-Link communications error during operation in IO-Link Mode.
		Not lit.	<ul style="list-style-type: none"> There are no IO-Link communications errors during operation in IO-Link Mode. Operation is currently performed in SIO (DI) or SIO (DO) Mode. The port is disabled.

● C/Q Indicator

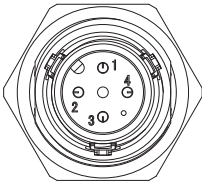
These indicators show the digital I/O status.

Label	Color	Status	Meaning
B	Yellow	Lit.	<ul style="list-style-type: none"> The Pin-2 input signal is ON during operation in IO-Link Mode. The I/O signal is ON during operation in SIO (DI) Mode or SIO (DO) Mode.
		Not lit.	<ul style="list-style-type: none"> The Pin-2 input signal is OFF during operation in IO-Link Mode. The I/O signal is OFF during operation in SIO (DI) Mode or SIO (DO) Mode. The port is disabled.

I/O Connectors

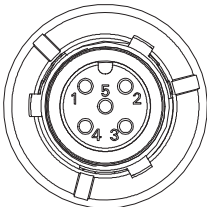


Power Supply Connector



Pin	Signal	Description
1	UNT_P+	Unit power supply +
2	UNT_P-	Unit power supply -
3	I/O_P+	I/O power supply +
4	I/O_P-	I/O power supply -

I/O Connectors

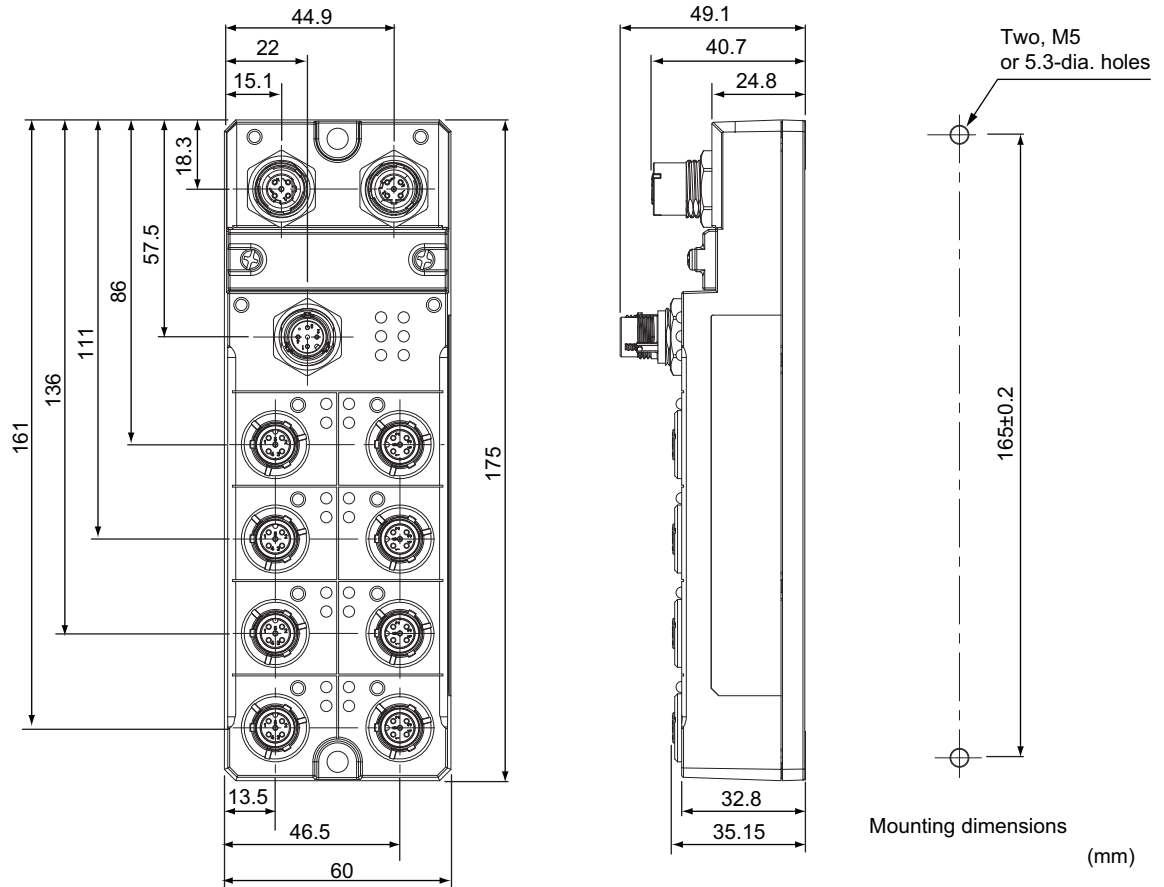


Pin	Signal	Description
1	L+	Device power supply +
2	DI	Digital input
3	L-	Device power supply -
4	C/Q	IO-Link communications/signal wires
5	n/a	Not used.

10-5 Mounting Dimensions

The mounting dimensions of the IO-Link Master Unit are shown below.

● **GX-ILM08C**



10-6 Communications Performance

This section describes the I/O response times of the GX-series IO-Link Master Unit.

The I/O response time is the time required for the following processing: The CPU Unit processes an external signal input to one EtherCAT slave, and another EtherCAT (CoE) slave outputs the processed result as an external signal.

10-6-1 Maximum I/O Response Time

This section describes the maximum I/O response time of the GX-series IO-Link Master Unit.

For the timing charts and calculation methods for EtherCAT slaves, refer to System Response Time in Process Data Communications in the NJ/NX-series CPU Unit Built-in EtherCAT Port User's Manual (Cat. No. W505).

The following EtherCAT slave parameters are necessary to calculate I/O response times.

- Slave input response time: Specific input response time for EtherCAT slave
- Slave output response time: Specific output response time for EtherCAT slave

The parameter values and calculation methods for the GX-series IO-Link Master Unit are given below.

● Input Data

I/O data type	IO-Link process input data from IO-Link communications in IO-Link Mode	Digital input data for pin 2 in IO-Link Mode	Digital input data in SIO (DI) Mode
Parameter			
Slave input response time	$0.134 \times \text{Pin_size}^{*1}$ $+ 0.012 \times (\text{Total size (in bytes) of IO-Link process input data from IO-Link communications from port 1 to port 8}) + 5.02 + \text{IO-Link communications cycle}^{*2} [\text{ms}]$	$0.134 \times \text{Pin_size}^{*1}$ $+ 0.012 \times (\text{Total size (in bytes) of IO-Link process input data from IO-Link communications from port 1 to port 8}) + 5.02 + \text{Input filter time} [\text{ms}]$	
	Example: When the IO-Link input data sizes of the IO-Link devices (sensors) for port 1 through port 4 are all 2 bytes, the IO-Link input data sizes of the IO-Link devices (sensors) for port 5 through port 8 are all 4 bytes, and the IO-Link communications cycle for those IO-Link devices (sensors) is 2.1 [ms]: $0.134 \times 4 \text{ bytes} \times 4 \text{ devices} + 0.012 \times \text{Total of 24 bytes} + 5.02 + 2.1 = 9.552 [\text{ms}]$	Example: When the IO-Link input data sizes of the IO-Link devices (sensors) for port 1 through port 4 are all 2 bytes, the IO-Link input data sizes of the IO-Link devices (sensors) for port 5 through port 8 are all 4 bytes, and no input filter is used: $0.134 \times 4 \text{ bytes} \times 4 \text{ devices} + 0.012 \times \text{Total of 24 bytes} + 5.02 = 7.452 [\text{ms}]$	Example: When port 1 through port 7 are used by IO-Link devices with an IO-Link input data size of 2 bytes and port 8 is used by a non-IO-Link device (sensor) with no input filter: $0.134 \times 2 \text{ bytes} \times 4 \text{ devices} + 0.012 \times \text{Total of 14 bytes} + 5.02 = 6.26 [\text{ms}]$

*1 Pin_size: The larger of the total IO-Link input data sizes for IO-Link communications between ports 1 and 4 and ports 5 and 8.

*2 For information on how to determine the IO-Link communications cycle, refer to "10-6-2 Determining the IO-Link Communications Cycle" in Page 10 - 20Determining the IO-Link Communications Cycle.

● Output Data

I/O data type Parameter	IO-Link process output data from IO-Link communications in IO-Link Mode	Digital output data in SIO (DO) Mode
Slave output response time	$0.091 \times \text{Pout_size}^{*1} + 0.001 \times (\text{Total size (in bytes) of IO-Link process output data from IO-Link communications from port 1 to port 8}) + 3.04 + \text{IO-Link communications cycle}^{*2}$ [ms]	$0.091 \times \text{Pout_size}^{*1} + 0.001 \times (\text{Total size (in bytes) of IO-Link process output data from IO-Link communications from port 1 to port 8}) + 3.04$ [ms]
	Example: When the IO-Link output data sizes of the IO-Link devices (actuators) for port 1 through port 4 are all 2 bytes, the IO-Link output data sizes of the IO-Link devices (actuators) for port 5 through port 8 are all 4 bytes, and the IO-Link communications cycle for those IO-Link devices (actuators) is 2.1 [ms]: $0.091 \times 4 \text{ bytes} \times 4 \text{ devices} + 0.001 \times \text{Total of 24 bytes} + 3.04 + 2.1 = 6.62$ [ms]	Example: When port 1 through port 7 are used by IO-Link devices with an IO-Link output data size of 2 bytes and port 8 is used by a non-IO-Link device (actuator): $0.091 \times 2 \text{ bytes} \times 4 \text{ devices} + 0.001 \times \text{Total of 14 bytes} + 3.04 = 3.782$ [ms]

*1 Pout_size: The larger of the total IO-Link output data sizes for IO-Link communications between ports 1 and 4 and ports 5 and 8.

*2 For information on how to determine the IO-Link communications cycle, refer to "10-6-2 Determining the IO-Link Communications Cycle" in Page 10 - 20.

10-6-2 Determining the IO-Link Communications Cycle

The IO-Link communications cycle depends on the baud rate of the IO-Link devices, as described below.

Refer to the instruction manuals for individual IO-Link devices for the IO-Link device baud rates.

When the IO-Link Device Baud Rate Is COM3 (230.4 kbps)

The IO-Link communications cycle depends on whether the minimum cycle time of the IO-Link devices is less than or equal to 1.1 ms or greater than 1.1 ms, as described below.

- When the minimum cycle time of the IO-Link devices is less than or equal to 1.1 ms
IO-Link communications cycle is 1.1 [ms] and does not change.
- When the minimum cycle time of the IO-Link devices is greater than 1.1 ms
The IO-Link communications cycle = (Minimum cycle time of the IO-Link devices*)

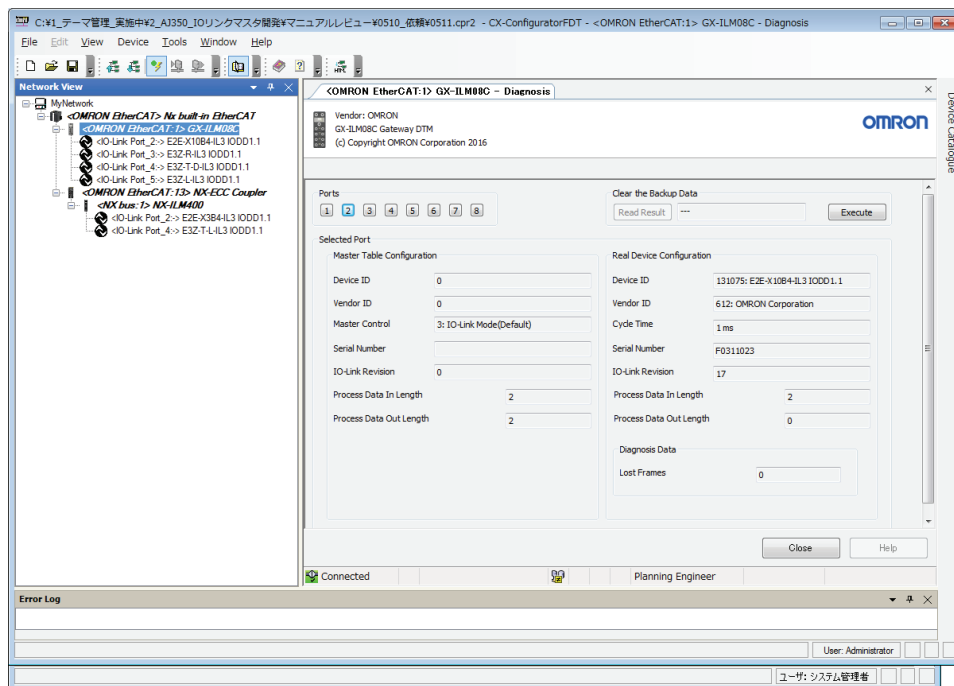
When the IO-Link Device Baud Rate IO-Link Device Is COM2 (38.4 kbps) or COM1 (4.8 kbps)

The IO-Link communications cycle will be as described below.

The IO-Link communications cycle = (Minimum cycle time of the IO-Link devices*) [ms]

* You can check the minimum cycle times for the IO-Link devices in the instruction manuals for the IO-Link devices.


Or, you can place the CX-ConfiguratorFDT online and check the cycle time in Read Device Configuration in the Diagnosis Tab Page for the IO-Link Master Unit, as shown in the following screen capture.




10-7 Connected Device Specifications and Models

EtherCAT Cables

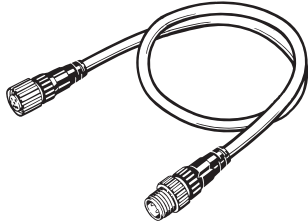
- Cables to Connect a GX-type IO-Link Master Unit to a Master or Slave with an RJ45 Connector

Name and appearance	Specification	Number of cable conductors	Available connectors	Cable connection direction	Cable length	Model
XS5W Industrial Ethernet Connectors with Reinforced-shield Cable (Cable with Connectors on Both Ends (M12 Straight/RJ45)) 	M12 plug (D-coding, male) to RJ45	4	Smart-click connector	Straight/straight	0.5 m	XS5W-T421-BMC-SS
					1 m	XS5W-T421-CMC-SS
					2 m	XS5W-T421-DMC-SS
					3 m	XS5W-T421-EMC-SS
					5 m	XS5W-T421-GMC-SS
					10 m	XS5W-T421-JMC-SS

- Connects two GX-type IO-Link Master Units


Name and appearance	Specification	Number of cable conductors	Available connectors	Cable connection direction	Cable length	Model
XS5W Industrial Ethernet Connectors with Reinforced-shield Cable (Cable with Connectors on Both Ends (M12 Straight/M12 Straight)) 	M12 plug (D-coding, male) to M12 plug (D-coding, male)	4	Smart-click connector	Straight/straight	0.5 m	XS5W-T421-BM2-SS
					1 m	XS5W-T421-CM2-SS
					2 m	XS5W-T421-DM2-SS
					3 m	XS5W-T421-EM2-SS
					5 m	XS5W-T421-GM2-SS
					10 m	XS5W-T421-JM2-SS

Power Supply Cables for GX-type IO-Link Master Units

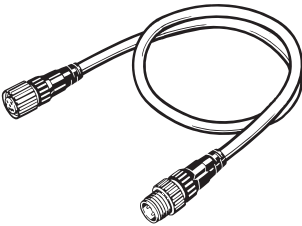
Name and appearance	Specification	Number of cable conductors	Available connectors	Cable connection direction	Cable length	Model
XS5F Connector with Cable, Socket on One End	M12 socket on one end (A-coding, female), for DC	4	Smart-click connector	Straight	1 m	XS5F-D421-C80-F
					2 m	XS5F-D421-D80-F
					3 m	XS5F-D421-E80-F
					5 m	XS5F-D421-G80-F
					10 m	XS5F-D421-J80-F
XS5W Connector with Cable (Socket on One End, Plug on Other End) 	M12 socket (A-coding, female) to M12 plug (A-coding, male), uses DC	4	Smart-click connector	Straight/straight	1 m	XS5W-D421-C81-F
					2 m	XS5W-D421-D81-F
					3 m	XS5W-D421-E81-F
					5 m	XS5W-D421-G81-F
					10 m	XS5W-D421-J81-F

I/O Cables for GX-type IO-Link Master Units

● Cables to Convert Connections from Sensors with M8 Plugs

Name and appearance	Specification	Number of cable conductors	Available connectors	Cable connection direction	Cable length	Model
XS3W Connector with Cable (M8 Socket/M12 Plug) 	M8 socket (A-coding, female) to M12 plug (A-coding, male), uses DC	4	M8 screw connector/M12 Smartclick connector	Straight	0.2 m	XS3W-M42C-4C2-A

● Extension Cables from Sensors with M12 Plugs

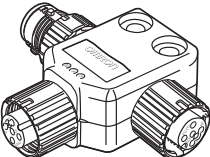
Name and appearance	Specification	Number of cable conductors	Available connectors	Cable connection direction	Cable length	Model
XS5W Connector with Cable (Socket on One End, Plug on Other End) 	M12 socket (A-coding, female) to M12 plug (A-coding, male), uses DC	4	Smart-click connector	Straight/straight	1 m	XS5W-D421-C81-F
					2 m	XS5W-D421-D81-F
					3 m	XS5W-D421-E81-F
					5 m	XS5W-D421-G81-F
					10 m	XS5W-D421-J81-F

I/O Cables for NX-type IO-Link Master Units

Use cables with a connector on one end to connect sensors. Refer to the catalog for the sensor for recommended products.

Power Supply T-Joint Connector

This connector is used when branching a GX-type Unit power supply.

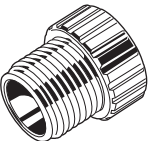
Name and appearance	Specification	Connector type	Model
XS5R Plug/Socket T-Joint Connector 	M12	Smartclick connector	XS5R-D427-5

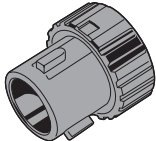
Waterproof Cover for Connectors

This is a waterproof cover for unused M12 GX connectors (female).

When you use this waterproof cover, you can maintain the IP67 protective structure.

The following two types of covers are available. Either one can be mounted on an EtherCAT communications connector or I/O connector.

Name and appearance	Specification	Connector type	Materials	Model
M12 Threaded Waterproof Cover ^{*1} 	M12	Screw-type connector	Brass/nickel plated	XS2Z-22

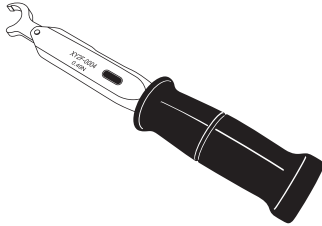
Name and appearance	Specification	Connector type	Materials	Model
Smartclick Waterproof Cover ^{*2} 	M12	Smartclick connector	PBT	XS5Z-11

*1 When mounting the M12 Threaded Waterproof Cover on a connector, always tighten it to a torque of 0.39 to 0.49 N·m.

*2 When mounting a Smartclick Waterproof Cover on a connector, torque management is not required.

Tool for M12 Threaded Connectors

The tool for tightening M12 Threaded Connectors is used when tightening to a specified torque.

Name and appearance	Model
Torque Wrench 	XY2F-0004

11

Expansion Unit

This chapter overviews the Expansion Unit.

11-1 Overview of the Expansion Unit	11-2
11-1-1 Connecting Expansion Units	11-2
11-1-2 I/O Power Supply	11-3
11-2 Specifications of Expansion Unit	11-4
11-2-1 8-point Input Expansion Unit XWT-ID08/ID08-1	11-5
11-2-2 8-point Output Expansion Unit XWT-OD08/OD08-1	11-8
11-2-3 16-point Input Expansion Unit XWT-ID16/ID16-1	11-11
11-2-4 16-point Output Expansion Unit XWT-OD16/OD16-1	11-15
11-3 Mounting Dimensions	11-19

11-1 Overview of the Expansion Unit

One Expansion Unit can be added to a Digital I/O Slave Unit (GX-ID 1611/ID1621/OD1611/OD1621/OC1601) (2-tier terminal block type 16-point Slave Unit)

The use of Expansion Units enables flexible I/O capacity expansion.

This section explains how to connect the Expansion Unit and supply the unit power.

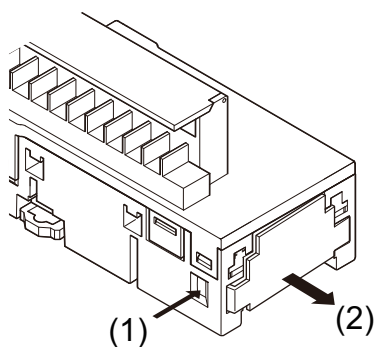
The Expansion Unit provides the same functions available through the Digital I/O Slave Unit.

For details, refer to "7-3 Functions of Digital I/O Slave Units" in page 7 - 7.

11-1-1 Connecting Expansion Units

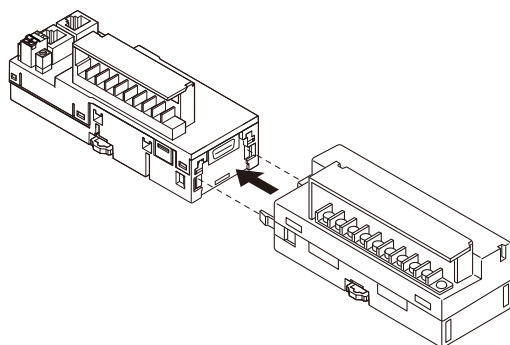
1 Remove the cover from the right side of the Digital I/O Slave Unit.

- (1) Depress the catch and remove one side of the cover.
- (2) Pull out the cover to remove it entirely.



2 Connect the Expansion Unit to the Slave Unit.

Press the Expansion Unit and Digital I/O Slave Unit together until they click into place with the connectors properly mated.



Precautions for Correct Use

Always turn the main power OFF when connecting the Expansion Unit.

11-1-2 I/O Power Supply

The I/O power supply method when an Expansion Unit is connected differs in cases. In some cases I/O power can be supplied only to Slave Unit.

In the other cases, it must be supplied to both the Slave Unit and the Expansion Unit.

These differences depend on the I/O combination. Refer to the following table for the correct supply.

Expansion Unit Slave Unit		Input		Output	
		XWT-ID08(-1)	XWT-ID16(-1)	XWT-OD08(-1)	XWT-OD16(-1)
Input	GX-ID1611	Power is supplied only to the Slave Unit.		Power is supplied to both the Slave Unit and Expansion Unit.	
	GX-ID1621	Power supply to the Expansion Unit is not required.			
Output	GX-OD1611	Power is supplied to both the Slave Unit and Expansion Unit.		Power is supplied to both the Slave Unit and Expansion Unit.	
	GX-OD1621				
	GX-OC1601				

11-2 Specifications of Expansion Unit

The chart below shows the Expansion Unit specifications, component names and functions, internal circuits and wiring diagram.

Refer to the following corresponding page to each model.

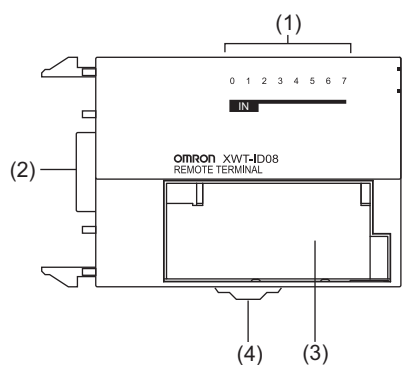
Model	Reference page			
	Specification	Names and functions	Internal circuits diagram	Wiring diagram
XWT-ID08 XWT-ID08-1	11-5	11-5	11-6	11-7
XWT-OD08 XWT-OD08-1	11-8	11-8	11-9	11-10
XWT-ID16 XWT-ID16-1	11-11	11-12	11-13	11-14
XWT-OD16 XWT-OD16-1	11-15	11-16	11-17	11-18

11-2-1 8-point Input Expansion Unit XWT-ID08/ID08-1

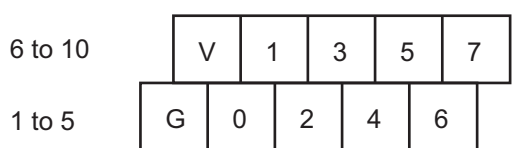
Specification

Item	Specification	
	XWT-ID08	XWT-ID08-1
Internal I/O common	NPN	PNP
I/O capacity	8 inputs	
ON voltage	15 VDC min. (between each input terminal and the V terminal)	15 VDC min. (between each input terminal and the G terminal)
OFF voltage	5 VDC max. (between each input terminal and the V terminal)	5 VDC max. (between each input terminal and the G terminal)
OFF current	1.0 mA max.	
Input current	6.0 mA max./input (at 24-VDC) 3.0 mA max./input (at 17-VDC)	
ON delay time	1.5 ms max.	
OFF delay time	1.5 ms max.	
Number of circuits per common	8 inputs/common	
Isolation method	Photocoupler isolation	
Input indicators	LED display (yellow)	
Weight	80g max.	

Names and functions



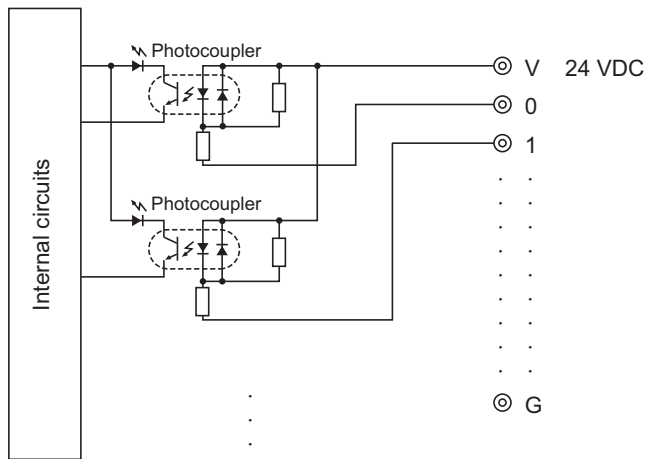
● Terminal arrangement diagram



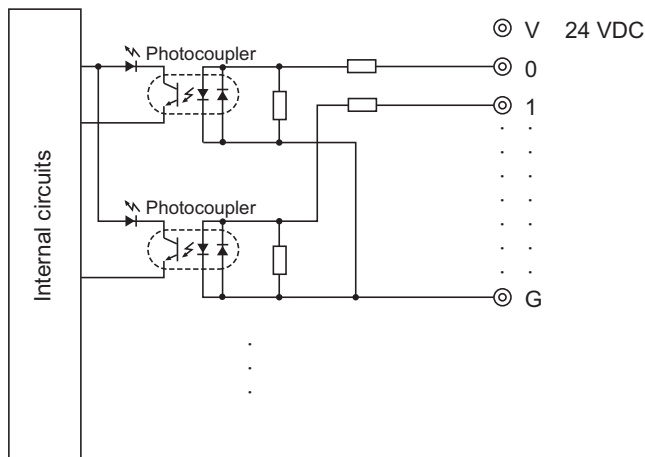
No.	Name	Function
(1)	Input indicators (0 to 7)	Indicates the state of each input contact (ON/OFF). Not lit: Contact OFF (input OFF state) Lit in yellow: Contact ON (input ON state)
(2)	Slave connector	Connects the connector on the right side of the Slave Unit.
(3)	Terminal block	Connects external devices and the I/O power supply. V, G: I/O power supply terminals 0 to 7: Input terminals
(4)	DIN track mounting hook	Fixes a Slave Unit to a DIN track.

Internal circuits diagram

● XWT-ID08 (NPN)

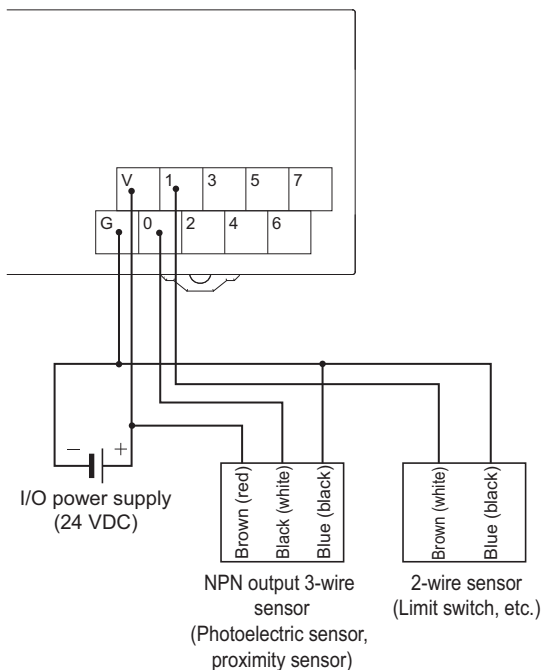


● XWT-ID08-1 (PNP)

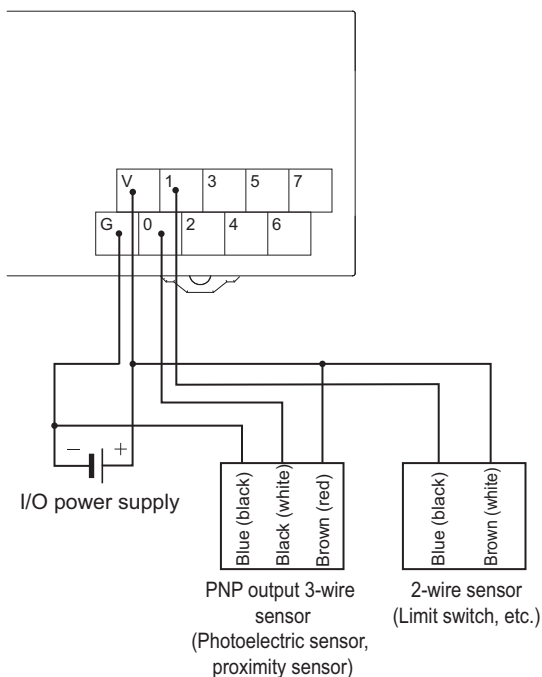


Wiring diagram

● XWT-ID08 (NPN)



● XWT-ID08-1 (PNP)



Reference

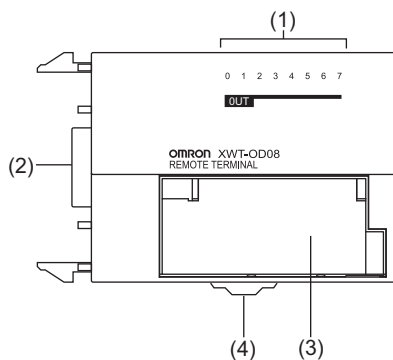
Wire colors have been changed according to revisions in the JIS standards for photoelectric and proximity sensors.
The colors in parentheses are the wire colors prior to the revisions.

11-2-2 8-point Output Expansion Unit XWT-OD08/OD08-1

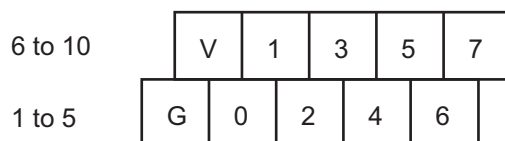
Specification

Item	Specification	
	XWT-OD08	XWT-OD08-1
Internal I/O common	NPN	PNP
I/O capacity	8 outputs	
Rated output current	0.5 A/output, 2.0 A/common	
Residual voltage	1.2 V max. (0.5 ADC, between each output terminal and the G terminal)	1.2 V max. (0.5 ADC, between each output terminal and the V terminal)
Leakage current	0.1 mA max.	
ON delay time	0.5 ms max.	
OFF delay time	1.5 ms max.	
Number of circuits per common	8 inputs/common	
Isolation method	Photocoupler isolation	
Output indicators	LED display (yellow)	
Error Mode Output	Select either hold or clear.	
Weight	80g max.	

Names and functions



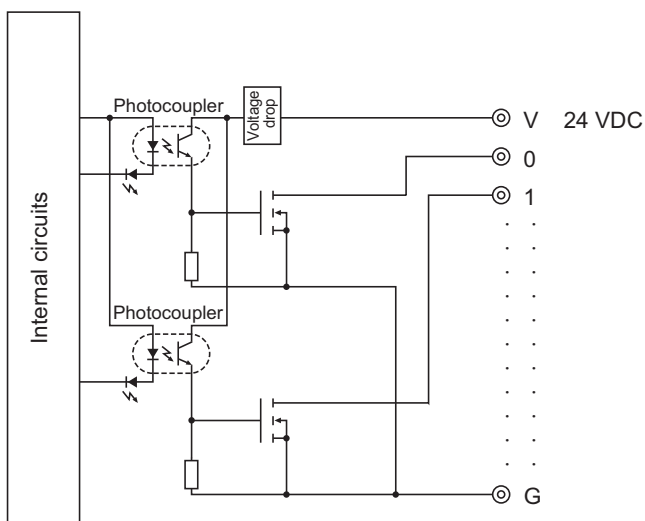
● Terminal arrangement diagram



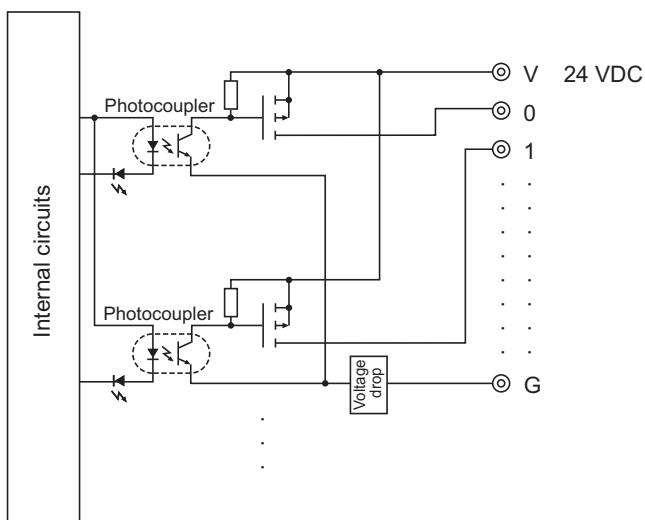
No.	Name	Function
(1)	Output indicators (0 to 7)	Indicates the state of each output contact (ON/OFF). Not lit: Contact OFF (output OFF state) Lit in yellow: Contact ON (output ON state)
(2)	Slave connector	Connects the connector on the right side of the Slave Unit.
(3)	Terminal block	Connects external devices and the I/O power supply. V, G: I/O power supply terminals 0 to 7: Output terminals
(4)	DIN track mounting hook	Fixes a Slave Unit to a DIN track.

Internal circuits diagram

● XWT-OD08 (NPN)

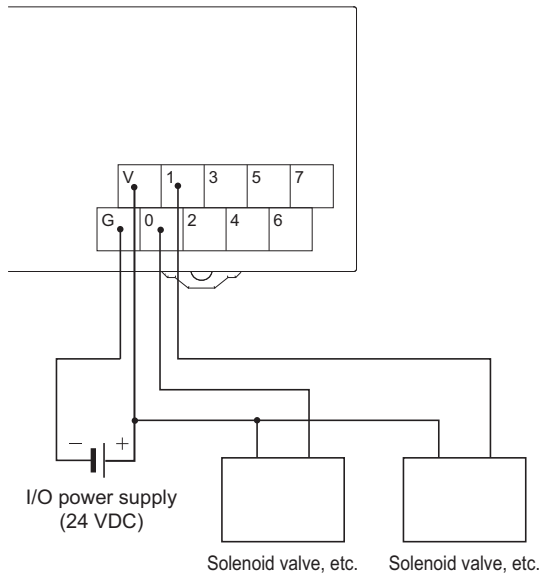


● XWT-OD08-1 (PNP)

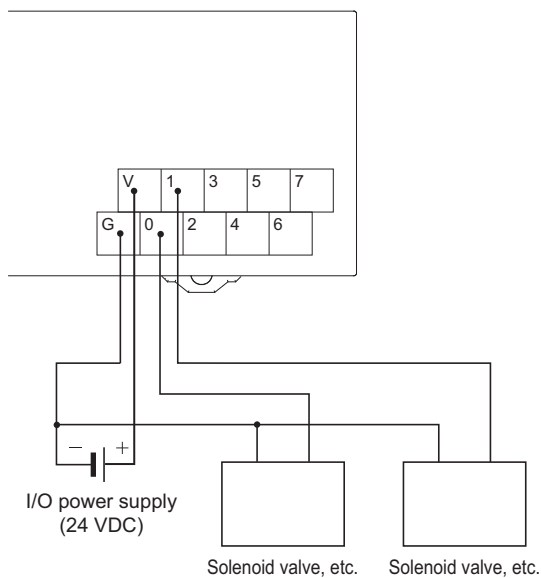


Wiring diagram

● XWT-OD08 (NPN)



● XWT-OD08-1 (PNP)



Precautions for Correct Use

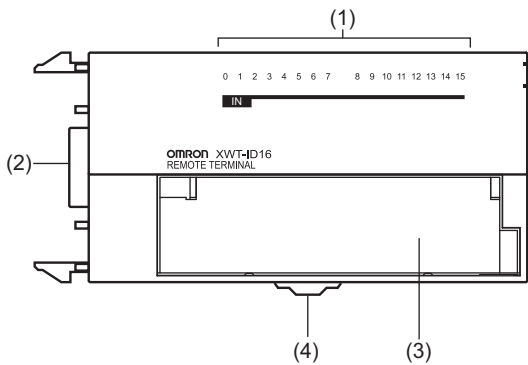
When using an inductive load, such as a solenoid valve, either use a built-in diode for absorbing the counterelectromotive force or install an external diode. (Refer to "A-4 Wiring External Output Signal Lines" in page A - 78.)

11-2-3 16-point Input Expansion Unit XWT-ID16/ID16-1

Specification

Item	Specification	
	XWT-ID16	XWT-ID16-1
Internal I/O common	NPN	PNP
I/O capacity	16 inputs	
ON voltage	15 VDC min. (between each input terminal and the V terminal)	15 VDC min. (between each input terminal and the G terminal)
OFF voltage	5 VDC max. (between each input terminal and the V terminal)	5 VDC max. (between each input terminal and the G terminal)
OFF current	1.0 mA max.	
Input current	6.0 mA max./input (at 24-VDC) 3.0 mA max./input (at 17-VDC)	
ON delay time	1.5 ms max.	
OFF delay time	1.5 ms max.	
Number of circuits per common	16 inputs/common	
Isolation method	Photocoupler isolation	
Input indicators	LED display (yellow)	
Weight	120g max.	

Names and functions



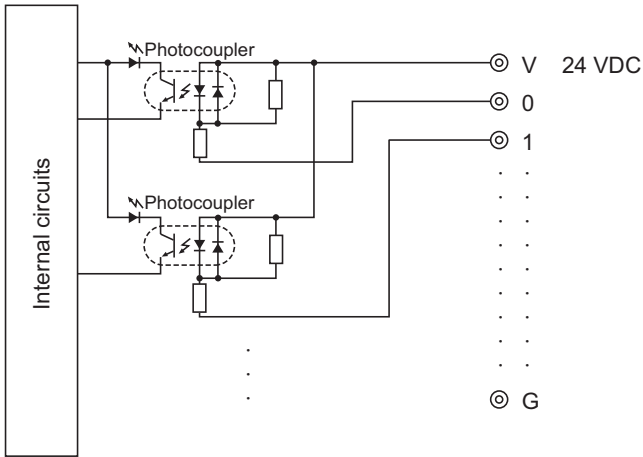
● Terminal arrangement diagram



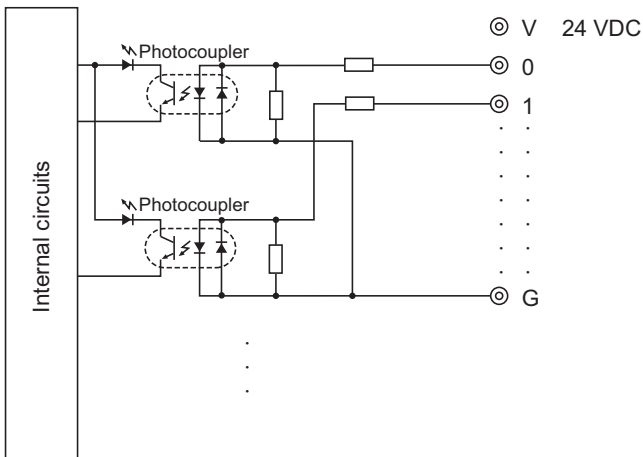
No.	Name	Function
(1)	Input indicators (0 to 15)	Indicates the state of each input contact (ON/OFF). Not lit: Contact OFF (input OFF state) Lit in yellow: Contact ON (input ON state)
(2)	Slave connector	Connects the connector on the right side of the Slave Unit.
(3)	Terminal block	Connects external devices and the I/O power supply. V, G: I/O power supply terminals 0 to 15: Input terminals
(4)	DIN track mounting hook	Fixes a Slave Unit to a DIN track.

Internal circuits diagram

● XWT-ID16 (NPN)

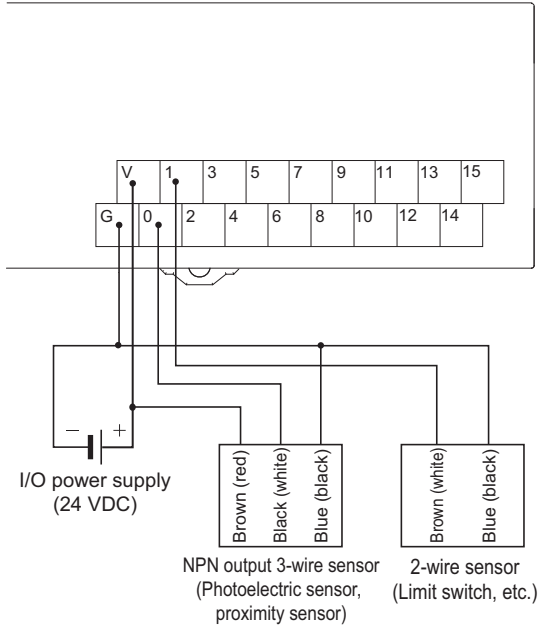


● XWT-ID16-1 (PNP)

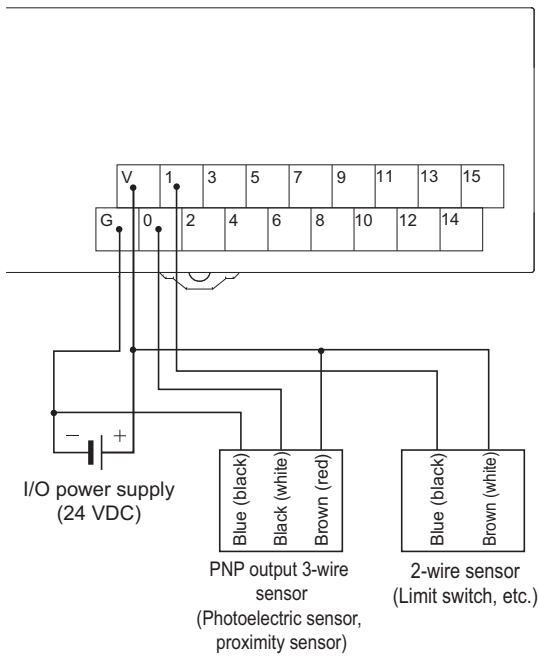


Wiring diagram

● XWT-ID16 (NPN)



● XWT-ID16-1 (PNP)



Reference

Wire colors have been changed according to revisions in the JIS standards for photoelectric and proximity sensors.

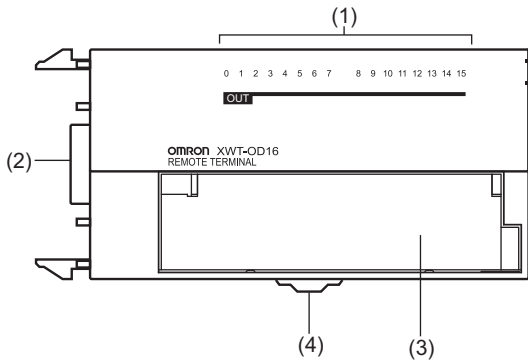
The colors in parentheses are the wire colors prior to the revisions.

11-2-4 16-point Output Expansion Unit XWT-OD16/OD16-1

Specification

Item	Specification	
	XWT-OD16	XWT-OD16-1
Internal I/O common	NPN	PNP
I/O capacity	16 outputs	
Rated output current	0.5 A/output, 4.0 A/common	
Residual voltage	1.2 V max. (0.5 ADC, between each output terminal and the G terminal)	1.2 V max. (0.5 ADC, between each output terminal and the V terminal)
Leakage current	0.1 mA max.	
ON delay time	0.5 ms max.	
OFF delay time	1.5 ms max.	
Number of circuits per common	16 inputs/common	
Isolation method	Photocoupler isolation	
Output indicators	LED display (yellow)	
Error Mode Output	Select either hold or clear.	
Weight	120g max.	

Names and functions



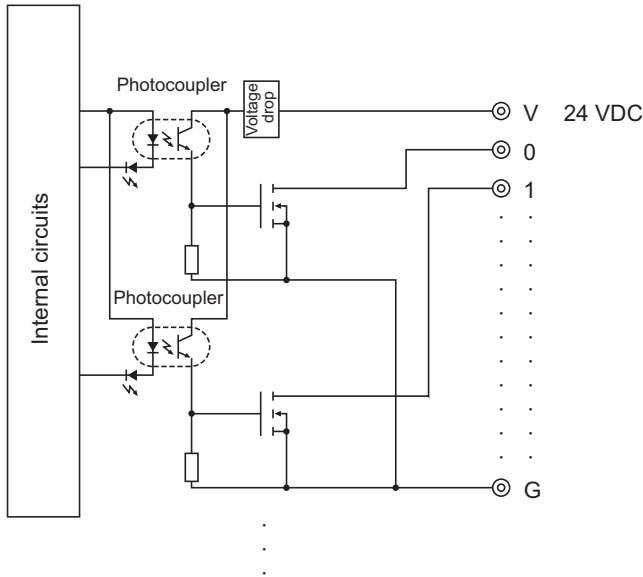
● Terminal arrangement diagram



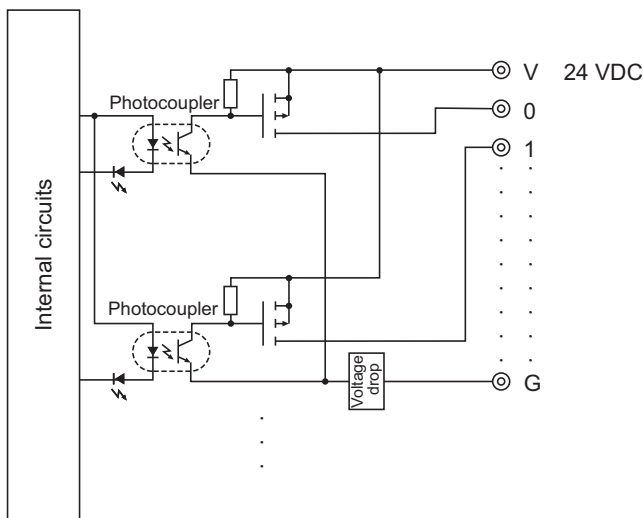
No.	Name	Function
(1)	Output indicators (0 to 15)	Indicates the state of each output contact (ON/OFF). Not lit: Contact OFF (output OFF state) Lit in yellow: Contact ON (output ON state)
(2)	Slave connector	Connects the connector on the right side of the Slave Unit.
(3)	Terminal block	Connects external devices and the I/O power supply. V, G: I/O power supply terminals 0 to 15: Output terminals
(4)	DIN track mounting hook	Fixes a Slave Unit to a DIN track.

Internal circuits diagram

● XWT-OD16 (NPN)

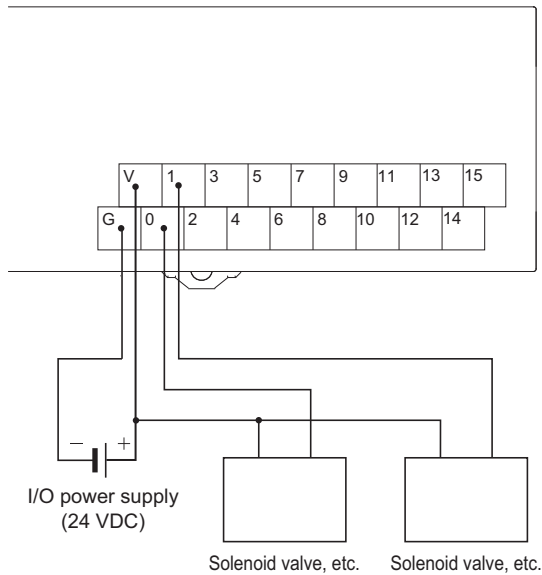


● XWT-OD16-1 (PNP)

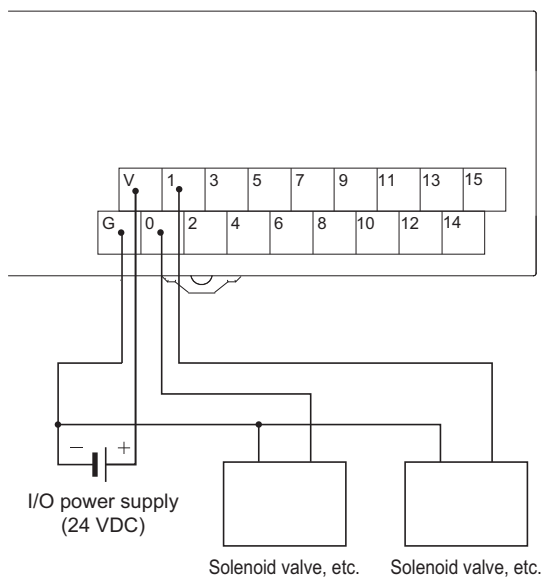


Wiring diagram

● XWT-OD16 (NPN)



● XWT-OD16-1 (PNP)



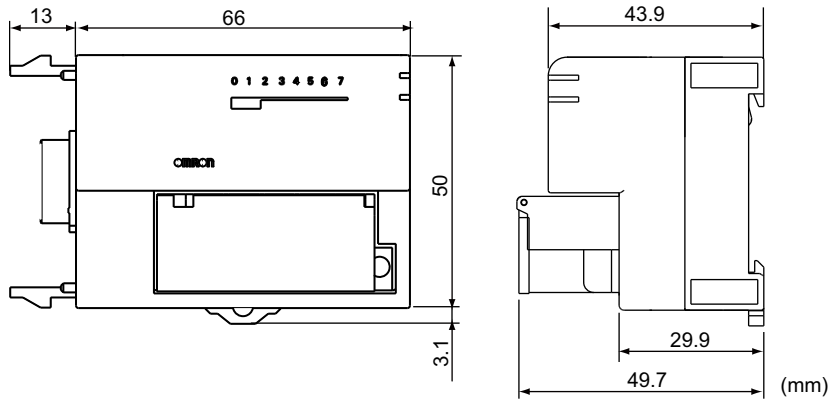
Precautions for Correct Use

When using an inductive load, such as a solenoid valve, either use a built-in diode for absorbing the counterelectromotive force or install an external diode. (Refer to "A-4 Wiring External Output Signal Lines" in page A - 78.)

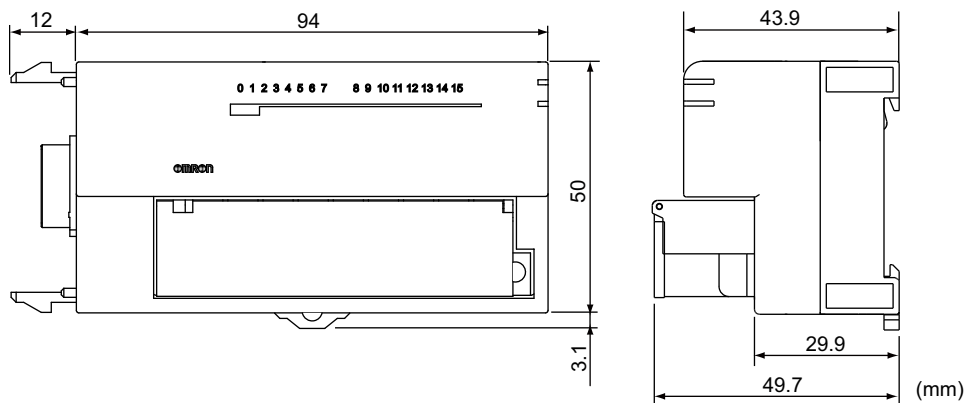
11-3 Mounting Dimensions

The mounting dimensions of the Expansion Unit are shown below.

- XWT-ID08/ID08-1/OD08/OD08-1



- XWT-ID16/ID16-1/OD16/OD16-1



12

Troubleshooting and Maintenance

This chapter explains actions to be taken at errors, troubleshooting, and equipment maintenance.

12-1 Troubleshooting	12-2
12-1-1 Errors that Can be Checked with Status Indicator and Actions to Take	12-2
12-1-2 Errors Unique to Each Slave Unit	12-7
12-1-3 Error Notification Methods and Types	12-13
12-1-4 Sysmac Error Status Codes	12-14
12-1-5 Emergency Error Code	12-19
12-1-6 Application Layer Status Codes	12-21
12-2 Equipment Maintenance	12-23
12-2-1 Cleaning	12-23
12-2-2 Inspections	12-23
12-2-3 Handling when Replacing Units	12-24
12-2-4 Replacing the IO-Link Master Unit or IO-Link Devices	12-24

12-1 Troubleshooting

12-1-1 Errors that Can be Checked with Status Indicator and Actions to Take

Errors can be notified by status indicators on Slave Units.

In this section, the states of status indicator are indicated using the following abbreviations.

Abbreviation	Definition
On	ON
Off	OFF
F	Flickering (ON (50 ms) - OFF (50 ms) flashing)
B	Blinking (ON (200 ms) - OFF (200 ms) flashing)
SF	Single flash (ON (200 ms) - OFF (1000 ms) flashing)
DF	Double flash (ON (200 ms) - OFF (200 ms) - ON (200 ms) - OFF (1000 ms) flashing)
-	Unknown

For details on definition of each state, refer to "6-3-1 Status Indicators" in page 6 - 4.

● Errors of Slave Unit

[PWR] indicator	[L/A IN] [L/A OUT] LED	[RUN] indicator	[ERR] indicator	Description	Cause	Actions
On	F	On	Off	EtherCAT communication is in progress.	EtherCAT communication is being executed.	PDO communications or both PDO and SDO communications are being executed. State is normal.
Off	Off	Off	Off	Power supply error	The power is not properly supplied to the Slave Unit.	After removing the following factors of power supply shutdown, restart the Slave Unit according to the specification of connected EtherCAT Master Unit. <ul style="list-style-type: none"> • Are the power supply cables wired correctly? • Are the power supply cables disconnected? • Is the power supply voltage within the specification range? • Is the power supply capacity sufficient? • Is the power supply malfunctioning?

[PWR] indicator	[L/A IN] [L/A OUT] LED	[RUN] indicator	[ERR] indicator	Description	Cause	Actions
On	-	Off	On	Hardware error	A hardware failure occurred.	If the error does not clear even after the power is turned ON again, the Slave Unit hardware is damaged. Replace the Slave Unit.
			F			The Expansion Unit is disconnected.
			B			
On	-	-	B	Illegal switch setting	A range setting switch or other switch setting is illegal.	Check the switch settings then restart the Slave Unit according to the specification of connected EtherCAT Master Unit.
				Non-volatile memory data error	A non-volatile memory data error occurred.	Use the Configuration Tool or SDO communications to restore the default data and restart the Slave Unit according to the specification of connected EtherCAT Master Unit.
				Sync manager setting error	The sync manager setting is illegal.	Change to the correct settings.
				Hardware error	A hardware failure occurred.	If the problem is not resolved even after the measures described above are taken, the Slave Unit hardware may be damaged. Replace the applicable Slave Unit.

● Errors of EtherCAT Network

[PWR] indicator	[L/A IN] [L/A OUT] LED	[RUN] indicator	[ERR] indicator	Description	Cause	Actions
On	On	–	–	Link established in physical layer	Operation standby status after establishing link in physical layer.	–
On	Off	–	–	Link not established in physical layer	A link in physical layer has not been established.	<p>After checking the following items, restart the Slave Unit according to the specification of connected EtherCAT Master Unit.</p> <ul style="list-style-type: none"> • Is the communications cable wired correctly? • Are any cables disconnected or loose in the part that connects to the connector? • Is the cable length appropriate? • Is the communications cable of the recommended specification?
					The host master has not been started.	Check that EtherCAT Master Unit is operating correctly. If using an OMRON EtherCAT Master Unit, check the EtherCAT Master Unit mode and Slave Unit node addresses. If using EtherCAT Master Unit from another manufacturer, refer to the user's manual for that Master Unit.
					A hardware failure occurred.	If the problem is not resolved even after the measures described above are taken, the Slave Unit hardware may be damaged. Replace the applicable Slave Unit.

[PWR] indicator	[L/A IN] [L/A OUT] LED	[RUN] indicator	[ERR] indicator	Description	Cause	Actions
On	-	-	DF	Process data communications timeout *	A communications error occurred.	<p>After checking the following items, restart the Slave Unit according to the specification of connected EtherCAT Master Unit.</p> <p>[Item about communication cable]</p> <ul style="list-style-type: none"> Is the communications cable wired correctly? Are any cables disconnected or loose in the part that connects to the connector? Is the cable length appropriate? Is the communications cable of the recommended specification? <p>[Item about power supply]</p> <ul style="list-style-type: none"> Is the power supply voltage within the specification range? Is the power supply capacity sufficient?
					Malfunction due to noise	<ul style="list-style-type: none"> If there are devices in the vicinity that generate noise, take necessary measures against the noise to protect the EtherCAT Master Unit and Slave Units and the communications cable. The noise resistance deteriorates if a cable other than those of the recommended specification is used. Use the communications cable of the recommended specification.
				Link in physical later OFF	Communications cable disconnection occurred.	Check to see if the cable is disconnected or loose in the part that connects to the connector.

[PWR] indicator	[L/A IN] [L/A OUT] LED	[RUN] indicator	[ERR] indicator	Description	Cause	Actions
On	–	SF	–	Safe-Operational state	It is commanded from the EtherCAT Master Unit to shift to the Safe-Operational state.	If the trouble occurred during operating the system, check the state of the connected EtherCAT Master Unit.
On	–	B	–	Pre-Operational state	It is commanded from the EtherCAT Master Unit to shift to the Pre-Operational state.	
On	–	Off	–	Init state	It is commanded from the EtherCAT Master Unit to shift to the Init state.	

* Due to the EtherCAT specification, a communication timeout does not occur with those Slave Units that only handle input data.

The GX-series Slaves that have only input data are listed below.

- GX-AD0471
- GX-ID1611
- GX-ID1611+XWT-ID08
- GX-ID1611+XWT-ID16
- GX-ID1611+XWT-ID08-1
- GX-ID1611+XWT-ID16-1
- GX-ID1621
- GX-ID1621+XWT-ID08
- GX-ID1621+XWT-ID16
- GX-ID1621+XWT-ID08-1
- GX-ID1621+XWT-ID16-1
- GX-ID1612
- GX-ID1622
- GX-ID1618
- GX-ID1628
- GX-ID3218
- GX-ID3228

● Errors of Encoder Input Slave Unit

[PWR] indicator	[L/A IN] [L/A OUT] LED	[RUN] indicator	[ERR] indicator	Description	Actions
On	–	B	B	Synchronization frequency (Sync0 frequency) setting error	After checking the following items, restart the Slave Unit according to the specification of connected EtherCAT Master Unit. <ul style="list-style-type: none"> • Set the correct synchronization frequency.

[PWR] indicator	[L/A IN] [L/A OUT] LED	[RUN] indicator	[ERR] indicator	Description	Actions
On	–	B	SF	Synchronization error (at synchronization start)	<p>After checking the following items, restart the Slave Unit according to the specification of connected EtherCAT Master Unit.</p> <ul style="list-style-type: none"> • Is the communications cable wired correctly? • Is the communications cable exposed to excessive noise? • Review set time of Sync Not Received Timeout Setting (synchronization error setting).
On	–	SF	SF	Communications synchronization error	<p>After checking the following items, restart the Slave Unit according to the specification of connected EtherCAT Master Unit.</p> <ul style="list-style-type: none"> • Is the communications cable wired correctly? • Is the communications cable exposed to excessive noise? • Review set time of Communication Error Setting .
On	–	SF	SF	Synchronization error (in operation)	<p>After checking the following items, restart the Slave Unit according to the specification of connected EtherCAT Master Unit.</p> <ul style="list-style-type: none"> • Is the communications cable wired correctly? • Is the communications cable exposed to excessive noise? • Review set time of Communication Error Setting . <p>If this does not improve, the Slave Unit hardware may be damaged. Replace the applicable Slave Unit.</p>

12-1-2 Errors Unique to Each Slave Unit

Slave Unit type	Symptom	Cause	Measures
All models other than Encoder Input Slave Units	Some functions are not reflected even after parameters have been set.	The functions enabled by recycling the power were changed.	Turn ON Slave Unit power supply again after changing the setting.

Slave Unit type	Symptom	Cause	Measures
Slave Units to which Expansion Units can be mounted	I/O communications stopped after mounting or removing an Expansion Unit and turning ON the power.	The number of I/O points increase or decrease when Expansion Units are mounted or removed. The number of I/O points may not conform to the I/O data assigned to the EtherCAT Master Unit.	Allocate I/O data again to the EtherCAT Master Unit.
	The [PWR] indicator lights red after mounting or removing an Expansion Unit online.	Expansion Units cannot be mounted or removed online.	Turn OFF the power supply before mounting or removing Expansion Units.
Slave Units with digital inputs	Although a connected device is ON, nothing is input and Slave Unit's input indicator does not turn ON either.	The I/O power is not supplied.	Check that the I/O power is supplied.
		I/O power supply voltage is outside the rated range.	Set the I/O power supply voltage within the rated voltage.
		Wiring with the connected device is incorrect.	Check the wiring with the connected device.
		Terminal block screws are loosened. (Terminal block type only)	Check if terminal block screws are loosened.
		A connected device is disconnected.	Check the wiring with the connected device.
		A connected device is defective.	Replace the connected device.
	A connected device is ON and Slave Unit's input indicator is turned ON, but nothing is input.	A communications error occurred.	Check if a communications error occurred.
There is a delay with the ON and OFF timing for input values.	An input filter may be set.	Set the input filter value to 0. Alternatively, change the input filter to an appropriate value.	

Slave Unit type	Symptom	Cause	Measures
Slave Units with digital outputs	When the output is ON, nothing is output although the output indicator is turned ON.	The I/O power is not supplied.	Check that the I/O power is supplied.
		I/O power supply voltage is outside the rated range.	Set the I/O power supply voltage within the rated voltage.
		Wiring with the connected device is incorrect.	Check the wiring with the connected device.
		Terminal block screws are loosened. (Terminal block type only)	Check if terminal block screws are loosened.
		A connected device is disconnected.	Check the wiring with the connected device.
		A connected device is defective.	Replace the connected device.
	Although the output is ON, nothing is output and Slave Unit's output indicator does not turn ON either.	A communications error occurred.	Check if a communications error occurred.
	Cannot hold outputs when communications errors occur.	The Unit is set to clear outputs at communications errors.	Change the setting to hold outputs at communications errors.
Cannot clear outputs when communications errors occur.	The Unit is set to hold outputs at communications errors.	Change the setting to clear outputs at communications errors.	
Analog I/O Slave Units	The analog data values are different from expected or the analog data error is too large.	The user adjustment error is too large.	Execute user adjustment again.
	Even if the I/O range setting is changed, expected analog input value is not set. Alternatively, expected analog value is not output.	Setting changes are not reflected unless the unit power supply is turned ON again after making changes.	Turn ON the unit power supply again after changing the setting.
	The I/O range cannot be set with the range setting switch.	The Pin8 is turned OFF (to allow the setting via SDO communications). This is the default setting.	Turn Pin8 ON (to allow the setting via range setting switch).

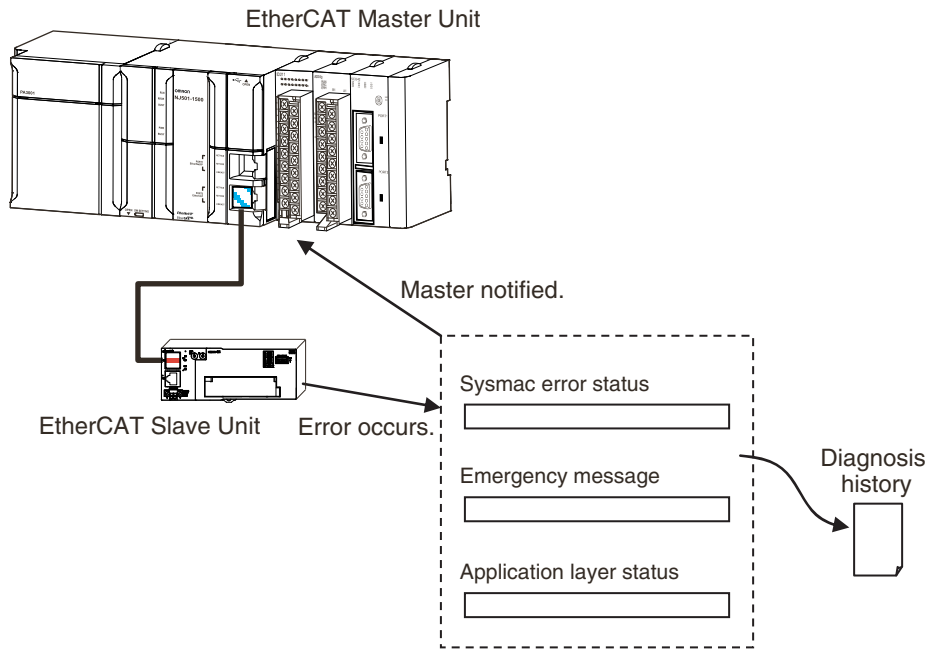
Slave Unit type	Symptom	Cause	Measures
Analog input Slave Unit	The disconnection indication does not clear.	The sensor is disconnected.	Restore the sensor connection. Check the connected sensor and input type.
	Disconnection is not detected.	Disconnection can not be detected for ranges other than 1 to 5 V and 4 to 20 mA.	Check that the input range is correct.
	A disconnection is detected even though it is not disconnected.	The connected sensor does not conform to the input range set on the Unit.	Check the type of connected sensor and the range setting on the Slave Unit again.
		The user adjustment error is too large.	Execute user adjustment again.
	The conversion cycle is too long.	The number of AD conversion points is set to maximum (4 points).	Reduce the number of points if some inputs are unnecessary, and execute conversion again.
User adjustment is not accepted.	Attempted to make adjustment with inputs outside the compensation range.	Enter a voltage (current) within the compensation range with the input device and make adjustment again. If a voltage (current) within the compensation range cannot be entered, check the method being used to connect the input device.	
Analog output Slave Unit	Cannot hold expected outputs when communications errors occur.	The output value that is set for communications errors is incorrect.	Change the setting to hold outputs for communications errors.
	The conversion cycle is too long.	The number of DA conversion points is set to maximum (2 points).	Reduce the number of points if some outputs are unnecessary, and execute conversion again.
	User adjustment is not accepted.	Attempted to make adjustment with values outside the compensation range.	Use a voltage (current) within the setting range to make adjustment again. If the final output cannot be adjusted within the correctable range, check the method being used to connect to the output device.

Slave Unit type	Symptom	Cause	Measures
Encoder Input Slave Unit	The count pulse cannot be detected.	Input wiring is wrong.	Check wiring of input A and input B.
		The I/O power is not supplied.	Check that the I/O power is supplied.
		I/O power supply voltage is outside the rated range.	Set the I/O power supply voltage within the rated voltage.
		A connected device is disconnected.	Check the wiring with the connected device.
		A connected device is defective.	Replace the connected device.
		The setting of counter input method is wrong.	Set the correct counter input method and restart the Slave Unit.
	The pulse is not counted accurately.	The pulse frequency exceeds the maximum frequency of the Slave Unit specification. Or, the frequency exceeds the maximum value of set mode.	Set the pulse frequency within the Slave Unit specification or the mode maximum value.
		The setting of counter input method is wrong.	Set the correct counter input method and restart the Slave Unit.
	The counter value is not reset even the present value external reset signal or phase Z pulse are input.	Input wiring is wrong.	Check input wiring.
		The soft switch "present value external reset enabled" is set to 0 (disabled).	Set the soft switch "present value external reset enabled" to 1 (enabled).
		Counting is not possible. (The count value cannot be reset with external input when counting is not possible.)	Change to count possible status. If it is necessary to reset because counting is not possible, reset with the soft switch "present value internal reset execution."
	Although the soft switch "present value external reset enabled" is enabled, the counter value cannot be reset even if signals are input.	After resetting the counter value externally, the "external reset generation flag" changes from 0 to 1. After that, external reset cannot be performed until the flag is cleared.	Change the soft switch "clear present value external reset generation flag" from 0 to 1. At the rise from 0 to 1, the "external reset generation flag" changes from 1 to 0 and external reset is enabled.
	The counter value cannot be latched even if external control input (latch A/B) signals are input.	The soft switch "external latch A/B enabled" is set to 0 (disabled).	Set the soft switch "external latch A/B enabled" to 1 (enabled).
	Although the soft switch "external latch A/B enabled" is enabled, the counter value cannot be latched even if signals are input.	After latching the counter value, the "external latch A/B generation flag" changes from 0 to 1. After that, it is not possible to latch until the flag is cleared.	Change the soft switch "clear external latch A/B generation flag" from 0 to 1. At the rise from 0 to 1, the "external latch A/B generation flag" changes from 1 to 0 and latch is enabled.

Slave Unit type	Symptom	Cause	Measures
Encoder Input Slave Unit	Some functions are not reflected even after parameters have been set.	Parameters that are enabled at the timing that the count status changes from disabled to enabled were changed.	When the count is enabled, execute the count enable command after the count disable command. When the count is disabled, execute the count enable command.
	At preset execution, "present value preset execution completion" is not turned ON, but "present value preset set value error" is turned ON.	It is attempted to preset with a counter value greater than the maximum Circular Counter value.	Reset the preset command value to equal to or less than the maximum Circular Counter value and execute the preset again. Moreover, "present value preset set value error" is turned OFF when the present value internal reset is executed or external reset is generated.

12-1-3 Error Notification Methods and Types

This section describes the notification methods for errors that occur in the Slave Units.



Error notification type	Description	Notification method	Page
Sysmac error status	Notification is provided when an error is detected in the application. These errors are displayed only on the OMRON Sysmac Studio Support Software.	Error status is received by the TxPDO and the master is notified of errors every cycle.	"12-1-4 Sysmac Error Status Codes" in page 12 - 14
Emergency messages	Notification is provided of application-level errors. Either CiA-defined error codes are used or error codes are added to vendor-specific areas.	The slave notifies the master when an error occurs.	"12-1-5 Emergency Error Code" in page 12 - 19
Application layer status	Notification is provided of errors in EtherCAT communications. The error notification method and error codes that are defined by ETG are used.	The master is notified by writing to the application layer status register when an error occurs.	"12-1-6 Application Layer Status Codes" in page 12 - 21

12-1-4 Sysmac Error Status Codes

A table that describes the error event codes that are displayed on the Sysmac Studio is given below. This function is supported by unit version 1.1 or later of the GX-series Digital I/O Slave Units, Analog I/O Slave Units, and Encoder Input Slave Units and unit version 1.0 or later of the GX-series IO-Link Master Unit.

Error List

The errors (i.e., events) that can occur in the GX-series EtherCAT Slave Unit are given on the following pages. Event levels are given as following in the tables:

Maj: Major fault level

Prt: Partial fault level

Min: Minor fault level

Obs: Observation

Info: Information

Refer to the *NJ-series Troubleshooting Manual* (Cat. No. W503) for all of the event codes that may occur in an NJ-series Controller.

Event code	Event name	Meaning	Assumed cause	Level					Reference
				Maj	Prt	Min	Obs	Info	
04A00000 hex	Expansion Unit Hardware Error	An Expansion Unit was disconnected during operation or a signal between the Slave Unit and Expansion Unit was broken.	<ul style="list-style-type: none"> The Expansion Unit is disconnected. The Expansion Unit is faulty. 			√			12-16
04A20000 hex	Slave Hardware Error	A hardware error occurred in the Slave Unit.	<ul style="list-style-type: none"> The Slave Unit is faulty. 			√			12-16
14A00000 hex	Non-volatile Memory Checksum Error	An error occurred in the control parameters.	<ul style="list-style-type: none"> Noise 			√			12-17
24610000 hex	Switch Setting Error	The setting switch is set out of range.	<ul style="list-style-type: none"> The analog range that is set on the switch is outside the setting range. 			√			12-17
64CC0000 hex	I/O Disconnection Detected	An I/O signal line is disconnected.	<ul style="list-style-type: none"> I/O signal wiring is disconnected or has a faulty connection. An I/O signal line is disconnected. 			√			12-18
84A00000 hex	Slave Unit Verification Error	A verification error occurred for the SII.	<ul style="list-style-type: none"> An error occurred in the control board. 			√			12-18
04A10000 hex	Non-volatile Memory Hardware Error	An error occurred in non-volatile memory.	<ul style="list-style-type: none"> Non-volatile memory is faulty. 				√		12-19

Error Descriptions

This section describes the information that is given for individual errors.

● Controller Error Descriptions

The items that are used to describe individual errors (events) are described in the following copy of an error table.

Event name	Gives the name of the error.			Event code	Gives the code of the error.	
Meaning	Gives a short description of the error.					
Source	Gives the source of the error.		Source details	Gives details on the source of the error.	Detection timing	Tells when the error is detected.
Error attributes	Level	Tells the level of influence on control.*1	Recovery	Gives the recovery method.*2	Log category	Tells which log the error is saved in.*3
Effects	User program	Tells what will happen to execution of the user program.*4	Operation	Provides special information on the operation that results from the error.		
Indicators	Gives the status of the built-in EtherNet/IP port and built-in EtherCAT port indicators. Indicator status is given only for errors in the EtherCAT Master Function Module and the EtherNet/IP Function Module.					
System-defined variables	Variable name		Data type		Meaning	
	Lists the variable names, data types, and meanings for system-defined variables that provide direct error notification, that are directly affected by the error, or that contain settings that cause the error.					
Cause and correction	Assumed cause		Correction		Prevention	
	Lists the possible causes, corrections, and preventive measures for the error.					
Attached information	This is the attached information that is displayed by the Sysmac Studio or an NS-series PT.					
Precautions/Remarks	Provides precautions, restrictions, and supplemental information.					

*1 One of the following:

Major fault: Major fault level
 Partial fault: Partial fault level
 Minor fault: Minor fault level
 Observation
 Information

*2 One of the following:

Automatic recovery: Normal status is restored automatically when the cause of the error is removed.
 Error reset: Normal status is restored when the error is reset after the cause of the error is removed.
 Cycle the power supply: Normal status is restored when the power supply to the Controller is turned OFF and then back ON after the cause of the error is removed.
 Controller reset: Normal status is restored when the Controller is reset after the cause of the error is removed.
 Depends on cause: The recovery method depends on the cause of the error.

*3 One of the following:

System: System event log
 Access: Access event log

*4 One of the following:

Continues: Execution of the user program will continue.
 Stops: Execution of the user program stops.
 Starts: Execution of the user program starts.

● Error Descriptions

Event name	Expansion Unit Hardware Error		Event code	04A00000 hex		
Meaning	An Expansion Unit was disconnected during operation or a signal between the Slave Unit and Expansion Unit was broken.					
Source	EtherCAT Master Function Module		Source details	Slave	Detection timing	Continuously
Error attributes	Level	Minor fault	Recovery	Error reset (after cycling Slave Unit power)	Log category	System
Effects	User program	Continues	Operation	The Slave Unit where the error occurred performs the error output operation (fail-safe).		
LED	EtherCAT NET RUN		EtherCAT NET ERR		EtherCAT LINK/ACT	
	---		---		---	
System-defined variables	Variable		Data type		Name	
	None		---		---	
Cause and correction	Assumed cause		Correction		Prevention	
	The Expansion Unit was disconnected during operation.		Turn OFF the power supply, mount the Expansion Unit, and turn the power supply back ON.		Do not allow the Expansion Unit to be disconnected during operation.	
	A signal between the Slave Unit and Expansion Unit was broken.		Turn OFF the power supply, mount the Expansion Unit, and turn the power supply back ON. If cycling the power supply does not correct the problem, replace the Expansion Unit.		None	
Attached information	None					
Precautions/Remarks	The emergency error code is 5020 hex.					

Event name	Slave Hardware Error		Event code	04A20000 hex		
Meaning	A hardware error occurred in the EtherCAT communications section.					
Source	EtherCAT Master Function Module		Source details	Slave	Detection timing	Continuously
Error attributes	Level	Minor fault	Recovery	Error reset (after cycling Slave Unit power)	Log category	System
Effects	User program	Continues	Operation	The Slave Unit where the error occurred performs the error output operation (fail-safe).		
LED	EtherCAT NET RUN		EtherCAT NET ERR		EtherCAT LINK/ACT	
	---		---		---	
System-defined variables	Variable		Data type		Name	
	None		---		---	
Cause and correction	Assumed cause		Correction		Prevention	
	The Slave Unit is faulty.		If cycling the power supply does not correct the problem, replace the Slave Unit.		None	
Attached information	None					
Precautions/Remarks	The emergency error codes are 7030 hex and 7100 hex.					

Event name	Non-volatile Memory Checksum Error			Event code	14A00000 hex	
Meaning	An error occurred in the control parameters.					
Source	EtherCAT Master Function Module		Source details	Slave	Detection timing	When establishing communications after turning ON power to the Slave Unit
Error attributes	Level	Minor fault	Recovery	Error reset (after cycling Slave Unit power)	Log category	System
Effects	User program	Continues	Operation	The Slave Unit's I/O communications stop and the outputs turn OFF.		
LED	EtherCAT NET RUN		EtherCAT NET ERR		EtherCAT LINK/ACT	
	---		Flashes at 1-s intervals.		---	
System-defined variables	Variable		Data type		Name	
	None		---		---	
Cause and correction	Assumed cause		Correction		Prevention	
	Noise		Return the control parameters to their default settings using restore parameters (1011 hex) of the EtherCAT Slave Unit.		Implement noise countermeasures.	
Attached information	None					
Precautions/Remarks	The emergency error code is 6330 hex.					

Event name	Switch Setting Error			Event code	24610000 hex	
Meaning	The setting switch is set out of range.					
Source	EtherCAT Master Function Module		Source details	Slave	Detection timing	When establishing communications after turning ON power to the Slave Unit
Error attributes	Level	Minor fault	Recovery	Error reset (after cycling Slave Unit power)	Log category	System
Effects	User program	Continues	Operation	The Slave Unit's I/O communications stop and the outputs turn OFF.		
LED	EtherCAT NET RUN		EtherCAT NET ERR		EtherCAT LINK/ACT	
	OFF		Flashes at 1-s intervals.		---	
System-defined variables	Variable		Data type		Name	
	None		---		---	
Cause and correction	Assumed cause		Correction		Prevention	
	The analog range that is set on the switch is outside the setting range.		Make sure that switch settings are within the specified range.		Make sure that switch settings are correct.	
Attached information	None					
Precautions/Remarks	The emergency error code is 5600 hex.					

Event name	I/O Disconnection Detected			Event code	64CC0000 hex	
Meaning	An I/O signal line is disconnected.					
Source	EtherCAT Master Function Module		Source details	Slave	Detection timing	Continuously after communications are established
Error attributes	Level	Minor fault	Recovery	Error reset (after resetting Slave Unit errors)	Log category	System
Effects	User program	Continues	Operation	The relevant I/O will not operate.		
LED	EtherCAT NET RUN		EtherCAT NET ERR		EtherCAT LINK/ACT	
	---		Flashes at 1-s intervals.		---	
System-defined variables	Variable		Data type		Name	
	None		---		---	
Cause and correction	Assumed cause		Correction		Prevention	
	I/O signal wiring is disconnected or has a faulty connection.		Connect the I/O signal wiring securely.		Connect the I/O signal wiring securely. Check for vibration and shock.	
	An I/O signal line is disconnected.		Replace the I/O signal line.		None	
Attached information	Attached information 1: Detected channel (for Analog I/O Unit)					
Precautions/Remarks	The emergency error code is 2130 hex.					

Event name	Slave Unit Verification Error			Event code	84A00000 hex	
Meaning	A verification error occurred for the SII.					
Source	EtherCAT Master Function Module		Source details	Slave	Detection timing	When establishing communications after turning ON power to the Slave Unit
Error attributes	Level	Minor fault	Recovery	Error reset (after cycling Slave Unit power)	Log category	System
Effects	User program	Continues	Operation	The Slave Unit where the error occurred does not go to Pre-operational state.		
LED	EtherCAT NET RUN		EtherCAT NET ERR		EtherCAT LINK/ACT	
	---		---		---	
System-defined variables	Variable		Data type		Name	
	None		---		---	
Cause and correction	Assumed cause		Correction		Prevention	
	An error occurred in the control board.		If cycling the power supply does not correct the problem, replace the Slave Unit.		None	
Attached information	None					
Precautions/Remarks	The emergency error code is 6140 hex.					

Event name	Non-volatile Memory Hardware Error			Event code	04A10000 hex	
Meaning	An error occurred in non-volatile memory.					
Source	EtherCAT Master Function Module	Source details	Slave	Detection timing	When establishing communications after turning ON power to the Slave Unit	
Error attributes	Level	Observation	Recovery	---	Log category	System
Effects	User program	Continues	Operation	Writing to non-volatile memory is not possible.		
LED	EtherCAT NET RUN		EtherCAT NET ERR		EtherCAT LINK/ACT	
	---		---		---	
System-defined variables	Variable	Data type		Name		
	None		---		---	
Cause and correction	Assumed cause		Correction		Prevention	
	Non-volatile memory failure.		Replace the EtherCAT Slave Unit.		None	
Attached information	None					
Precautions/Remarks	The emergency error code is 5530 hex.					

12-1-5 Emergency Error Code

The table below shows types of emergency error codes used in GX-series EtherCAT Slave Units and corresponding error contents.

Error codes common to GX-series EtherCAT Slave Units

Error code	Name of error	Contents	Diagnosis history	Notification to EtherCAT Master Unit	Measures
5530 hex	Non-volatile Memory Hardware Error	A timeout was detected when writing data to non-volatile memory during EtherCAT communications.	Not saved	Can be notified	Write the data again.
6140 hex	Slave Unit Verification Error	At turning ON the power supply, a verification error occurred on the Slave Unit information stored in the Slave Unit.	Saved	Cannot be notified	If the error occurs even after restarting the power supply, the Slave Unit is damaged. Replace the Slave Unit.

Error code	Name of error	Contents	Diagnosis history	Notification to EtherCAT Master Unit	Measures
6330 hex	Non-volatile Memory Checksum Error	An error occurred in non-volatile memory data in the Slave Unit.	Saved	Can be notified	A non-volatile memory data error occurred. Initialize non-volatile memory from a Configuration Tool or with SDO communications, and then restart the Slave Unit. (Target indexes: 1011 hex Restore default parameters (parameter restore))
7030 hex	Slave Hardware Error	A hardware error occurred in the EtherCAT communications area.	Saved	Cannot be notified	If the error occurs even after restarting the power supply, the Slave Units is damaged. Replace the Slave Units.

Error codes unique to Digital I/O Slave Unit

Error code	Name of error	Contents	Diagnosis history	Notification to EtherCAT Master Unit	Measures
5020 hex	Expansion Unit Hardware Error	Expansion Unit hardware errors	Saved	Cannot be notified	The Expansion Unit is disconnected. Check the Expansion Unit connection. If the error is displayed again, the Expansion Unit is damaged. Replace the Expansion Unit.

Error codes unique to Analog I/O Slave Unit

Error code	Name of error	Contents	Diagnosis history	Notification to EtherCAT Master Unit	Measures
2130 hex	I/O Disconnection Detected	A broken analog input line was detected.	Not saved	Can be notified	Check the slave voltage or current input line to see if it is broken.
5600 hex	Switch Setting Error	A range setting switch setting is illegal.	Not saved	Can be notified	Set the range setting switch correctly and restart the Slave Unit.

Error code	Name of error	Contents	Diagnosis history	Notification to EtherCAT Master Unit	Measures
7100 hex	Slave Hardware Error (analog hardware error)	Hardware error in the analog conversion area	Saved	Cannot be notified	If the error is still displayed after restarting the power supply, the Slave Unit is damaged. Replace the Slave Unit.

Error Codes Specific to the IO-Link Master Unit

Refer to the *IO-Link System User's Manual (W570)* for the emergency error codes that are detected by the IO-Link Master Unit.

12-1-6 Application Layer Status Codes

The AL status codes that are used by the GX-series EtherCAT Slave Units are described in the following table.

AL status codes of GX-series EtherCAT Slave Units

AL status code	Name of error	Contents	Diagnosis history	Notification to EtherCAT Master Unit	Measures
0001 hex	Non-volatile Memory Control Data Error	An error was detected in non-volatile memory data in the Slave Unit.	Saved	Can be notified	Initialize non-volatile memory (execute restore parameter), and then restart the Slave Unit.
0011 hex	Illegal State Transition Request Received	An illegal state transition request was received.	Not saved	Can be notified	None
0012 hex	Error State Transition Received	A transition request to an unknown state was received.	Not saved	Can be notified	None
0014 hex	Slave Unit Verification Error	A verification error occurred in the slave information stored in the Slave Units when the power supply was turned ON.	Saved	Can be notified	If cycling the power supply does not solve the problem, the Slave Unit has failed. Replace the Slave Unit.
0016 hex	Mailbox Setting Error	An incorrect setting was detected in the mailbox of the Sync Manager.	Not saved	Can be notified	Check the mailbox settings in the Master Unit.
001B hex	Process Data WDT Error	A timeout was detected for an I/O data transmission frame.	Not saved	Can be notified	Check the WDT settings in the Master Unit.
001D hex	RxPDO Setting Error	An error was detected in the RxPDO settings (e.g., a logic setting error in the Sync Manager).	Not saved	Can be notified	Check the Sync Manager settings in the Master Unit.

AL status code	Name of error	Contents	Diagnosis history	Notification to EtherCAT Master Unit	Measures
001E hex	TxPDO Setting Error	An error was detected in the TxPDO settings (e.g., a logic setting error in the Sync Manager).	Not saved	Can be notified	Check the Sync Manager settings in the Master Unit.
001F hex	PDO WDT Setting Error	An incorrect PDO WDT setting was detected.	Not saved	Can be notified	Check the WDT settings in the Master Unit.
0024 hex	TxPDO Assignment Error	An incorrect TxPDO setting was made (e.g., an index, subindex, or size that is out of range was registered).	Not saved	Can be notified	Check the TxPDO assignment settings in the Master Unit.
0025 hex	RxPDO Assignment Error	An incorrect RxPDO setting was made (e.g., an index, subindex, or size that is out of range was registered).	Not saved	Can be notified	Check the RxPDO assignment settings in the Master Unit.
002C hex	Synchronization Error	The SYNC0 interrupt stopped during operation in Operational state.	Not saved	Can be notified	Check the synchronization settings. (Encoder Input Slave Units only)
002D hex	SYNC Signal Not Received	No SYNC0 signals have been received since entering DC mode.	Not saved	Can be notified	Check the synchronization settings. (Encoder Input Slave Units only)

12-2 Equipment Maintenance

This section describes routine equipment maintenance, in particular cleaning methods, inspection methods, and handling methods when replacing Slave Units.

12-2-1 Cleaning

Perform the following cleaning regularly to ensure the equipment is kept in the best condition possible.

- Wipe the equipment over with a soft, dry cloth when doing daily cleaning.
- If dirt remains even after wiping with a soft, dry cloth, wipe over with a cloth that has been wet with a sufficiently diluted detergent (2%) and wrung dry.
- Units will become stained if items such as rubber or vinyl products or adhesive tape are left on the Unit for a long period. Remove such items during regular cleaning.



Precautions for Correct Use

Never use benzene, thinners, or other volatile solvents, or chemical cloths.
The unit coating may change if these products are used.

12-2-2 Inspections

Always perform periodic inspections to ensure the equipment is kept in the best possible condition. Periodic inspections should occur every 6 months to a year. Periodic inspections should occur more frequently, however, for Units that are used in environments subject to high temperatures, high humidity, or a lot of dust.

Materials required for inspections

The following materials are required to perform periodic inspections.

- **Materials used regularly**
 - Phillips screwdrivers and flat-blade screwdrivers
 - Screwdrivers for communications connectors
 - Testers (or digital voltmeters)
 - Industrial alcohol and pure cotton cloth
- **Materials sometimes required**
 - Synchroscope
 - Pen oscilloscope
 - Thermometer and hygrometer

Inspection item

Periodically inspect the following items to ensure that they do not deviate from the criteria. If the items deviate from the criteria, adjust the environment so the criteria are met or adjust the Unit itself.

Inspection item	Inspection details	Criteria	Inspection method
Environment	Are the ambient and in-panel temperatures appropriate?	-10 to 55°C	Thermometer
	Is the ambient and in-panel humidity appropriate?	25 to 85% (with no condensation)	Hygrometer
	Has dust collected?	No dust	Visual inspection
Installation	Has the Slave Unit been secured?	No looseness	Phillips screwdriver
	Are the communications cable connectors inserted properly?	No looseness	Visual inspection
	Are the external wiring screws loose?	No looseness	Phillips screwdriver
	Are the connection cables damaged?	No visible damage	Visual inspection

12-2-3 Handling when Replacing Units

Networks are constructed from an EtherCAT Master Unit and Slave Units.

If a Unit is malfunctioning, the entire network will be affected. The malfunctioning Unit must be replaced quickly.

To restore network functions as quickly as possible, it is recommended that spare Units are kept on hand ready to replace malfunctioning Units immediately.

Precautions when replacing Units

Heed the following precautions when replacing nodes after a periodic inspection has revealed a problem.

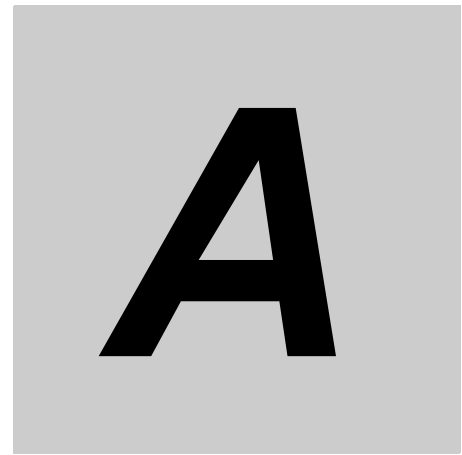
- Check that the new Unit does not have errors after replacement.
- If returning malfunctioning devices for repair, attach a detailed description of the malfunction to the device and send the device to the OMRON representative listed at the end of this manual or to your OMRON representative.
- If contacts are defective, wipe them with a clean pure cotton cloth that has been soaked in industrial alcohol.

Settings after Unit replacement

After replacing a Unit, make the switch and other settings the same as before the Unit was replaced.

12-2-4 Replacing the IO-Link Master Unit or IO-Link Devices

Refer to the *IO-Link System User's Manual (W570)* for information on replacing an IO-Link Master Unit.



Appendix

A

A-1 Object Dictionary	A-2
A-1-1 Object Dictionary Area	A-2
A-1-2 Data Types	A-2
A-1-3 Object Description Format	A-3
A-1-4 Communication Objects	A-4
A-1-5 PDO Mapping Object	A-10
A-1-6 Sync Manager Communication Object	A-26
A-1-7 Manufacturer Specific Objects	A-32
A-2 Current Consumption Summary	A-74
A-2-1 Digital I/O Slave Unit	A-74
A-2-2 Analog I/O Slave Unit	A-74
A-2-3 Encoder Input Slave Unit	A-74
A-2-4 IO-Link Master Unit	A-75
A-2-5 Expansion Unit	A-75
A-3 Precautions with Connecting Two-wire DC Sensors	A-76
A-3-1 Relation between ON Voltage of a Unit with DC Inputs and Sensor Residual Voltage	A-76
A-3-2 Relation between ON Current of a Unit with DC Inputs and Sensor Control Output	A-76
A-3-3 Relation between OFF Current of a Unit with DC Inputs and Sensor Leakage Current	A-77
A-4 Wiring External Output Signal Lines	A-78
A-5 I/O Power Supply Current	A-79
A-6 Glossary	A-81
A-7 Version Information	A-83

A-1 Object Dictionary

A-1-1 Object Dictionary Area

The CAN application protocol over EtherCAT (CoE) protocol uses the object dictionary of CAN application protocol as its base. Each object is assigned with an index of four-digit hexadecimal value. The indexes are configured in the areas below.

Indexes	Area	Contents
0000 hex-0FFF hex	Data Type area	Definitions of data types
1000 hex-1FFF hex	CoE Communications area	Definitions of variables that can be used by all servers for designated communications
2000 hex-2FFF hex	Manufacturer Specific area 1	Variables defined for all OMRON products
3000 hex-5FFF hex	Manufacturer Specific area 2	Variables defined for GX-series EtherCAT Slave Units
6000 hex-9FFF hex	Device Profile area	Variables defined for CiA401 generic I/O module device profiles (profile specifying the CAN application protocol interface for devices with digital I/Os and analog I/Os)
A000 hex-FFFF hex	Reserved area	Area reserved for future use

A-1-2 Data Types

This profile uses the following data types.

Data Types	Code	Size	Range
Boolean	BOOL	1 bit	true(1), false(0)
Unsigned8	U8	1 byte	0 to 255
Unsigned16	U16	2 bytes	0 to 65535
Unsigned32	U32	4 bytes	0 to 4294967295
Integer8	INT8	1 byte	-128 to 127
Integer16	INT16	2 bytes	-32768 to 32767
Integer32	INT32	4 bytes	-2147483648 to 2147483647
ARRAY[0..1] OF BYTE	-	2 bytes	-
Visible string	VS	-	-

A-1-3 Object Description Format

In this manual, objects are described in the following format.

Object description format

<Index>	<Object name>		
Range: <Setting range>	Unit: <Unit>	Default: <Default setting>	Attribute: <Data attribute>
Size: <Size>	Access: <Access>	PDO map: <Possible/Not possible>	

Object description format with sub-indexes

<Index>	<Object name>		
Sub-index 0			
Range: <Setting range>	Unit: <Unit>	Default: <Default setting>	Attribute: <Data attribute>
Size: <Size>	Access: <Access>	PDO map: <Possible/Not possible>	
.			
.			
.			
Sub-index N			
Range: <Setting range>	Unit: <Unit>	Default: <Default setting>	Attribute: <Data attribute>
Size: <Size>	Access: <Access>	PDO map: <Possible/Not possible>	

The following values are indicated within the pointed brackets <>.

- Indexes : An object index given by a four-digit hexadecimal number
- Object name : The object name
- Range : The possible range of settings
- Unit : Physical unit
- Default : Default value set before product shipment
- Attribute : The data attribute of a writable object
The data attribute is given in the following format.
□* (□: Indicates the timing when a change is applied.)
(*: Indicates whether the data is saved to non-volatile memory.)

Timing When a Change Is Applied

- A: Enabled at any time.
- B: Enabled when moving from count stop status to operation status (Encoder Input Slave Units only).
- C: Enabled when moving from Pre-Operational state to Safe-Operational state.
- D: Enabled when moving from Pre-Operational state to Init state.
- R: Enabled when power is reset.
- : Read-only

Saving to Non-volatile Memory

- With asterisk (*): Saved to non-volatile memory.
- Without asterisk (*): Not saved to non-volatile memory.

- Size : The object size is given in bytes
- Access : Indicates whether the object is read only, or read and write
RO: Read only
RW: Read and write
- PDO map : Indicates the PDO mapping possibility

A-1-4 Communication Objects

1000 hex	Device Type		
Range: –	Unit: –	Default: 00***** hex	Attribute: –
Size: 4 bytes (U32)	Access: RO		PDO map: Not possible

- Indicates the CoE device profile number.

Bits	Name	Contents
0-15	Device profile number	Differ by Slave Unit types*
16-23	Type	Differ by Slave Unit types*
25-31	Mode	0: Manufacturer specific

1001 hex	Error Register		
Range: –	Unit: –	Default: 00 hex	Attribute: –
Size: 1 byte (U8)	Access: RO		PDO map: Not possible

- Indicates the error type that occurs in a Slave Unit.
- The error kind is allocated in each bit as follows.
It becomes "0:There is no error" and "1:The error is occurring".

Bits	Name	Bits	Name
0	Generic error	4	Communications error
1	Current error	5	Device profile specific error
2	Voltage error	6	(Reserved)
3	Temperature error	7	Manufacturer specific error

- GX-series Units do not use bits 1 to 7.

1008 hex	Manufacturer Device Name		
Range: –	Unit: –	Default: Differ by Slave Unit types*	Attribute: –
Size: 20 bytes (VS)	Access: RO		PDO map: Not possible

- Indicates the Slave Unit model number.

1009 hex	Manufacturer Hardware Version		
Range: –	Unit: –	Default: Differ by Slave Unit types*	Attribute: –
Size: 20 bytes (VS)	Access: RO		PDO map: Not possible

- Indicates the version of the Slave Unit hardware.

100A hex	Manufacturer Software Version		
Range: –	Unit: –	Default: Differ by Slave Unit types*	Attribute: –
Size: 20 bytes (VS)	Access: RO		PDO map: Not possible

- Indicates the version of the Slave Unit software.

* The default settings of device type, device name, hardware version, and software version vary by the Slave Unit Types.

Model		DeviceType	Manufacturer device name	Manufacturer hardware version	Manufacturer software version
Slave Unit	Expansion Unit				
GX-ID1611 /ID1621	–	00010191 hex	GX-ID1611/GX-ID1621	space (20 hex) of 20 characters	"V1.00 " (space (20 hex) of 15 characters)
	XWT-ID08 (-1)	00010191 hex	GX-ID1611+ID08(-1)/GX-ID1621+ID08(-1)		
	XWT-ID16 (-1)	00010191 hex	GX-ID1611+ID16(-1)/GX-ID1621+ID16(-1)		
	XWT-OD08 (-1)	00030191 hex	GX-ID1611+OD08(-1)/GX-ID1621+OD08(-1)		
	XWT-OD16 (-1)	00030191 hex	GX-ID1611+OD16(-1)/GX-ID1621+OD16(-1)		

Model		DeviceType	Manufacturer device name	Manufacturer hardware version	Manufacturer software version
Slave Unit	Expansion Unit				
GX-OD1611 /OD1621	–	00020191 hex	GX-OD1611/GX-OD1621	space (20 hex) of 20 characters	"V1.00 " (space (20 hex) of 15 characters)
	XWT-ID08 (-1)	00030191 hex	GX-OD1611+ID08(-1)/GX-OD1621+ID08(-1)		
	XWT-ID16 (-1)	00030191 hex	GX-OD1611+ID16(-1)/GX-OD1621+ID16(-1)		
	XWT-OD08 (-1)	00020191 hex	GX-OD1611+OD08(-1)/GX-OD1621+OD08(-1)		
	XWT-OD16 (-1)	00020191 hex	GX-OD1611+OD16(-1)/GX-OD1621+OD16(-1)		
GX-OC1601	–	00020191 hex	GX-OC1601		
	XWT-ID08 (-1)	00030191 hex	GX-OC1601+ID08(-1)		
	XWT-ID16 (-1)	00030191 hex	GX-OC1601+ID16(-1)		
	XWT-OD08 (-1)	00020191 hex	GX-OC1601+OD08(-1)		
	XWT-OD16 (-1)	00020191 hex	GX-OC1601+OD16(-1)		
GX-MD1611 /MD1621	–	00030191 hex	"GX-MD1611 " /"GX-MD1621 " (space (20 hex) of 11 characters)		
GX-ID1612 /ID1622	–	00010191 hex	"GX-ID1612 " /"GX-ID1622 " (space (20 hex) of 11 characters)		
GX-OD1612 /OD1622	–	00020191 hex	"GX-OD1612 " /"GX-OD1622 " (space (20 hex) of 11 characters)		
GX-MD1612 /MD1622	–	00030191 hex	"GX-MD1612 " /"GX-MD1622 " (space (20 hex) of 11 characters)		
GX-ID1618 /ID1628	–	00010191 hex	"GX-ID1618 " /"GX-ID1628 " (space (20 hex) of 11 characters)		
GX-OD1618 /OD1628	–	00020191 hex	"GX-OD1618 " /"GX-OD1628 " (space (20 hex) of 11 characters)		
GX-MD1618 /MD1628	–	00030191 hex	"GX-MD1618 " /"GX-MD1628 " (space (20 hex) of 11 characters)		
GX-ID3218 /ID3228	–	00010191 hex	"GX-ID3218 " /"GX-ID3228 " (space (20 hex) of 11 characters)		
GX-OD3218 /OD3228	–	00020191 hex	"GX-OD3218 " /"GX-OD3228 " (space (20 hex) of 11 characters)		
GX-MD3218 /MD3228	–	00030191 hex	"GX-MD3218 " /"GX-MD3228 " (space (20 hex) of 11 characters)		
GX-AD0471	–	00040191 hex	"GX-AD0471 " (space (20 hex) of 11 characters)		
GX-DA0271	–	00080191 hex	"GX-DA0271 " (space (20 hex) of 11 characters)		

Model		DeviceType	Manufacturer device name	Manufacturer hardware version	Manufacturer software version
Slave Unit	Expansion Unit				
GX-EC0211	–	00010000 hex	"GX-EC0211 " (space (20 hex) of 11 characters)	space (20 hex) of 20 characters	"V1.00 " (space (20 hex) of 15 characters)
GX-EC0241	–	00010000 hex	"GX-EC0241 " (space (20 hex) of 11 characters)		
GX-ILM08C	–	00001389 hex	"GX-ILM08C " (space (20 hex) of 11 characters)		

1011 hex	Restore Default Parameters			
Sub-index 0: Number of entries				
Range: –	Unit: –	Default: 01 hex	Attribute: –	
Size: 1 byte (U8)	Access: RO		PDO map: Not possible	
Sub-index 1: Restore Default Parameters				
Range: –	Unit: –	Default: 00000001 hex	Attribute: A	
Size: 4 bytes (U32)	Access: RW		PDO map: Not possible	

- Resets the parameters to their default values.
- The parameter is reset only when a specific value is written to sub-index 1. This prevents parameter values from being accidentally overwritten.
- The specific value is "load".

MSB			LSB
d	a	o	l
64 hex	61 hex	6F hex	6C hex

- The ABORT code is displayed if a value other than the specific is written.
- A value 0000 0001 hex (command valid) is indicated when reading.

1018 hex	Identity Object			
Sub-index 0: Number of entries				
Range: –	Unit: –	Default: 04 hex	Attribute: –	
Size: 1 byte (U8)	Access: RO		PDO map: Not possible	
Sub-index 1: Vendor ID				
Range: –	Unit: –	Default: 00000083 hex	Attribute: –	
Size: 4 bytes (U32)	Access: RO		PDO map: Not possible	
Sub-index 2: Product Code				
Range: –	Unit: –	Default: Differ by Slave Unit types*	Attribute: –	
Size: 4 bytes (U32)	Access: RO		PDO map: Not possible	
Sub-index 3: Revision Number				
Range: –	Unit: –	Default: Differ by Slave Unit types*	Attribute: –	
Size: 4 bytes (U32)	Access: RO		PDO map: Not possible	
Sub-index 4: Serial Number				
Range: –	Unit: –	Default: Each Unit	Attribute: –	
Size: 4 bytes (U32)	Access: RO		PDO map: Not possible	

- Indicates the device information.
- Sub-index 1 (Vendor ID) gives the manufacturer identifier.
- Sub-index 2 (Product Code) gives the value assigned to each Slave Unit type.
- Sub-index 3 (Revision Number) gives the Unit revision number.
 - Bits 0 to 15: Minor revision number of the device
 - Bits 16 to 31: Major revision number of the device
- Sub-index 4 (Serial Number) gives a serial number for each product.

- Unit version 1.0 of the GX-series Digital I/O Slaves, Analog I/O Slaves, and Encoder Input Slaves will always give 00000000 hex as the serial number.

* The table below shows the identity object values by Slave Unit types.

Type	Model		Product Code (hex)	Revision Number (hex)	Model		Product Code (hex)	Revision Number (hex)
	Slave Unit	Expansion Unit			Slave Unit	Expansion Unit		
2-tier terminal block	GX-ID1611	–	0000000E	00010000	GX-ID1621	–	00000017	00010000
		XWT-ID08	0000000F	00010000		XWT-ID08	00000018	00010000
		XWT-ID08-1	00000013	00010000		XWT-ID08-1	0000001C	00010000
		XWT-ID16	00000010	00010000		XWT-ID16	00000019	00010000
		XWT-ID16-1	00000014	00010000		XWT-ID16-1	0000001D	00010000
		XWT-OD08	00000011	00010000		XWT-OD08	0000001A	00010000
		XWT-OD08-1	00000015	00010000		XWT-OD08-1	0000001E	00010000
		XWT-OD16	00000012	00010000		XWT-OD16	0000001B	00010000
		XWT-OD16-1	00000016	00010000	XWT-OD16-1	0000001F	00010000	
	GX-OD1611	–	00000020	00010000	GX-OD1621	–	00000029	00010000
		XWT-ID08	00000021	00010000		XWT-ID08	0000002A	00010000
		XWT-ID08-1	00000025	00010000		XWT-ID08-1	0000002E	00010000
		XWT-ID16	00000022	00010000		XWT-ID16	0000002B	00010000
		XWT-ID16-1	00000026	00010000		XWT-ID16-1	0000002F	00010000
		XWT-OD08	00000023	00010000		XWT-OD08	0000002C	00010000
		XWT-OD08-1	00000027	00010000		XWT-OD08-1	00000030	00010000
		XWT-OD16	00000024	00010000		XWT-OD16	0000002D	00010000
		XWT-OD16-1	00000028	00010000	XWT-OD16-1	00000031	00010000	
	GX-OC1601	–	00000046	00010000				
		XWT-ID08	00000047	00010000				
		XWT-ID08-1	0000004B	00010000				
		XWT-ID16	00000048	00010000				
		XWT-ID16-1	0000004C	00010000				
		XWT-OD08	00000049	00010000				
		XWT-OD08-1	0000004D	00010000				
		XWT-OD16	0000004A	00010000				
		XWT-OD16-1	0000004E	00010000				
	3-tier terminal block	GX-MD1611	–	00000032	00010000	GX-MD1621	–	00000033
GX-ID1612		–	00000034	00010000	GX-ID1622	–	00000035	00010000
GX-OD1612		–	00000036	00010000	GX-OD1622	–	00000037	00010000
GX-MD1612		–	00000038	00010000	GX-MD1622	–	00000039	00010000
e-CON Connectors	GX-ID1618	–	0000003A	00010000	GX-ID1628	–	0000003B	00010000
	GX-OD1618	–	0000003C	00010000	GX-OD1628	–	0000003D	00010000
	GX-MD1618	–	0000003E	00010000	GX-MD1628	–	0000003F	00010000
	GX-ID3218	–	00000040	00010000	GX-ID3228	–	00000041	00010000
	GX-OD3218	–	00000042	00010000	GX-OD3228	–	00000043	00010000
	GX-MD3218	–	00000044	00010000	GX-MD3228	–	00000045	00010000
Analog I/O Slave Unit	GX-AD0471	–	0000004F	00010000	GX-DA0271	–	00000050	00010000
Encoder Input Slave Unit	GX-EC0211	–	00000051	00010000	GX-EC0241	–	00000052	00010000
IO-Link Master Unit	GX-ILM08C	–	000000BF	00010000				

10F3 hex	Diagnosis History		
Sub-index 0: Number of entries			
Range: –	Unit: –	Default: 0D hex	Attribute: –
Size: 1 byte (U8)	Access: RO	PDO map: Not possible	
Sub-index 1: Maximum Messages			
Range: –	Unit: –	Default: 00 hex	Attribute: –
Size: 1 byte (U8)	Access: RO	PDO map: Not possible	
Sub-index 2: Newest Message			
Range: –	Unit: –	Default: –	Attribute: –
Size: 1 byte (U8)	Access: RO	PDO map: Not possible	
Sub-index 3: Newest Acknowledged Message *1			
Range: –	Unit: –	Default: 00 hex	Attribute: –
Size: 1 byte (U8)	Access: RW	PDO map: Not possible	
Sub-index 4: New Messages Available *1			
Range: FALSE, TRUE	Unit: -	Default: FALSE	Attribute: -
Size: 1 bite	Access: RO	PDO map: Possible	
Sub-index 5: Flags			
Range: 0000 hex- 0001 hex	Unit: –	Default: 0000 hex	Attribute: –
Size: 2 bytes (U16)	Access: RW	PDO map: Not possible	
Sub-index 6 to 13: Diagnosis Message 1-8			
Range: –	Unit: –	Default: –	Attribute: –
Size: 23 bytes (VS)	Access: RO	PDO map: Not possible	
Sub-index 14 to 69: Diagnosis Message 9-64 *2			
Range: –	Unit: –	Default: –	Attribute: –
Size: 23 bytes (VS)	Access: RO	PDO map: Not possible	

*1 This object is supported by unit version 1.2 or later of the GX-series Digital I/O Slave Units, Analog I/O Slave Units, and Encoder Input Slave Units.

*2 Can be used only with the GX-ILM08C.

- This object gives the diagnosis history. This object is used to enable or disable emergency messages.
- Sub-index 1 (Maximum Messages) gives the number of error messages.
- Sub-index 2 (Newest Messages) gives the sub-index number the latest message in the diagnosis history.
- Sub-index 3 (Newest Acknowledged Message) is the number of the newest acknowledged message. The operation differs as described below during reading and writing.

The following is for the GX-series Digital I/O Slave Units, Analog I/O Slave Units, and Encoder Input Slave Units.

Read/Write	Operation
Read	<ul style="list-style-type: none"> • The subindex of the newest diagnosis history is returned (06 hex to 0D hex). • If there are no records in the diagnosis history, 00 hex is returned.
Write	<ul style="list-style-type: none"> • Write the number of the diagnosis history between 06 and 0D hex. • The value of subindex 04 hex (Newest Messages Available) changes to FALSE. • If you write 00 hex, the entire diagnosis history is cleared. • If you write values other than 00 hex and 06 to 0D hex, the abort code is returned. • If you write a subindex that does not have a diagnosis history, the abort code is returned.

The following is for GX-ILM08C.

Read/Write	Operation
Read	<ul style="list-style-type: none"> The subindex of the newest diagnosis history is returned (06 hex to 45 hex). If there are no records in the diagnosis history, 00 hex is returned.
Write	<ul style="list-style-type: none"> Write the number of the diagnosis history between 06 and 45 hex. The value of subindex 4 hex (Newest Messages Available) changes to FALSE. If you write 00 hex, the entire diagnosis history is cleared. If you write values other than 00 hex and 06 to 45 hex, the abort code is returned. If you write a subindex that does not have a diagnosis history, the abort code is returned.

- Sub-index 4 (New Messages Available) is the notification of new messages. It indicates the existence of new messages. If a new message is available, the value becomes 1 (TRUE). The value becomes 0 (FALSE) in either of the following cases:
 - The subindex of the newest message is written in sub-index 3 (Newest Acknowledged Message).
 - There is no new message.
- Sub-index 5 (Flags) is the control flag of diagnosis history. It specifies whether or not to notify error messages via emergency messages. Setting 0001 hex means to notify. It is set to 0001 hex (Emergency notify) when power is turned ON. At startup, the setting is 0000 hex (no emergency notification).
- Sub-indexes 6 to 69 (Diagnosis messages 1 to 64) indicate the diagnosis history.

In GX-series EtherCAT Slave Units except for GX-ILM08C, sub-indexes 6 (Diagnosis Message 1) to 13 (Diagnosis Message 8) store up to 8 errors as they occur.

In GX-ILM08C, sub-indexes 6 (Diagnosis Message 1) to 69 (Diagnosis Message 64) store up to 64 errors as they occur. The 65th error causes the storage of errors to return to subindex 6 (Diagnosis Message 1).

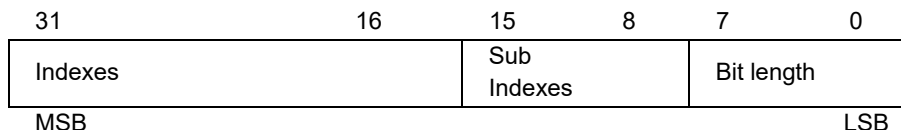
10F9 hex*1	CoE Time Distribution Object		
Sub-index 0: Number of entries			
Range: 01 hex	Unit: –	Default: 01 hex	Attribute: –
Size: 1 byte (U8)	Access: RO		PDO map: Not possible
Sub-index 1: Local time of CoE time distribution			
Range: 0000000000000000 hex to FFFFFFFF hex	Unit: ns	Default: 0000000000000000 hex	Attribute: –
Size: 64 bytes (U64)	Access: RW		PDO map: Not possible

*1 This object is supported by unit version 1.2 or later of the GX-series Digital I/O Slave Units, Analog I/O Slave Units, and Encoder Input Slave Units.

- This object is used to set the present time for the diagnosis history.
- The time information is indicated in a relative time from 1970/1/1, 0:00:00. The unit is seconds.
- An addition of time is started from the set value.
- You do not need to use this object for the NJ/NX-series CPU Units and NY-series Industrial PCs. The time information in the CPU Unit or Industrial PC is used to record times in the diagnosis history.
- If you use a master from another manufacturer and if this object was not used to set the diagnosis history time, the times recorded in the event log will all be 1970/1/1, 0:00:00.

A-1-5 PDO Mapping Object

Indexes 1600 hex to 17FF hex are used for Receive PDO mapping, and indexes 1A00 hex to 1BFF hex are used for Transmit PDO mapping. Sub-indexes after sub-index 1 provide information about the application object being mapped.



- Bits 0 to 7 : Bit length of the mapped object.
(For example, for 32 bits, 20 hex is given.)
- Bits 8 to 15 : Sub-index of the mapped object.
- Bits 16 to 31 : Index of the mapped object.

The following indexes describes the specific objects by Slave Unit types.

Digital I/O Slave Unit

1700 hex	257th receive PDO Mapping		
Sub-index 0: Number of objects			
Range: –	Unit: –	Default: Differ by Slave Unit types*	Attribute: –
Size: 1 byte (U8)	Access: RO		PDO map: Not possible
Sub-index 1: 1st Output Object to be mapped			
Range: –	Unit: –	Default: Differ by Slave Unit types*	Attribute: –
Size: 4 bytes (U32)	Access: RO		PDO map: Not possible
<ul style="list-style-type: none"> This object gives the mapping for an application that uses digital output functions. 			
1701 hex	258th receive PDO Mapping		
Sub-index 0: Number of objects			
Range: –	Unit: –	Default: Differ by Slave Unit types*	Attribute: –
Size: 1 byte (U8)	Access: RO		PDO map: Not possible
Sub-index 1: 1st Output Object to be mapped			
Range: –	Unit: –	Default: 32200101 hex	Attribute: –
Size: 1 byte (BOOL)	Access: RO		PDO map: Not possible
Sub-index 2: 2nd Output Object to be mapped			
Range: –	Unit: –	Default: 32200201 hex	Attribute: –
Size: 1 byte (BOOL)	Access: RO		PDO map: Not possible
Sub-index 3: 3rd Output Object to be mapped			
Range: –	Unit: –	Default: 32200301 hex	Attribute: –
Size: 1 byte (BOOL)	Access: RO		PDO map: Not possible
Sub-index 4: 4th Output Object to be mapped			
Range: –	Unit: –	Default: 32200401 hex	Attribute: –
Size: 1 byte (BOOL)	Access: RO		PDO map: Not possible
Sub-index 5: 5th Output Object to be mapped			
Range: –	Unit: –	Default: 32200501 hex	Attribute: –
Size: 1 byte (BOOL)	Access: RO		PDO map: Not possible
Sub-index 6: 6th Output Object to be mapped			
Range: –	Unit: –	Default: 32200601 hex	Attribute: –
Size: 1 byte (BOOL)	Access: RO		PDO map: Not possible
Sub-index 7: 7th Output Object to be mapped			
Range: –	Unit: –	Default: 32200701 hex	Attribute: –
Size: 1 byte (BOOL)	Access: RO		PDO map: Not possible
Sub-index 8: 8th Output Object to be mapped			

Range: –	Unit: –	Default: 32200801 hex	Attribute: –
Size: 1 byte (BOOL)	Access: RO	PDO map: Not possible	
Sub-index 9: 9th Output Object to be mapped			
Range: –	Unit: –	Default: 32200901 hex	Attribute: –
Size: 1 byte (BOOL)	Access: RO	PDO map: Not possible	
Sub-index 10: 10th Output Object to be mapped			
Range: –	Unit: –	Default: 32200A01 hex	Attribute: –
Size: 1 byte (BOOL)	Access: RO	PDO map: Not possible	
Sub-index 11: 11th Output Object to be mapped			
Range: –	Unit: –	Default: 32200B01 hex	Attribute: –
Size: 1 byte (BOOL)	Access: RO	PDO map: Not possible	
Sub-index 12: 12th Output Object to be mapped			
Range: –	Unit: –	Default: 32200C01 hex	Attribute: –
Size: 1 byte (BOOL)	Access: RO	PDO map: Not possible	
Sub-index 13: 13th Output Object to be mapped			
Range: –	Unit: –	Default: 32200D01 hex	Attribute: –
Size: 1 byte (BOOL)	Access: RO	PDO map: Not possible	
Sub-index 14: 14th Output Object to be mapped			
Range: –	Unit: –	Default: 32200E01 hex	Attribute: –
Size: 1 byte (BOOL)	Access: RO	PDO map: Not possible	
Sub-index 15: 15th Output Object to be mapped			
Range: –	Unit: –	Default: 32200F01 hex	Attribute: –
Size: 1 byte (BOOL)	Access: RO	PDO map: Not possible	
Sub-index 16: 16th Output Object to be mapped			
Range: –	Unit: –	Default: 32201001 hex	Attribute: –
Size: 1 byte (BOOL)	Access: RO	PDO map: Not possible	
Sub-index 17: 17th Output Object to be mapped			
Range: –	Unit: –	Default: 32201101 hex	Attribute: –
Size: 1 byte (BOOL)	Access: RO	PDO map: Not possible	
Sub-index 18: 18th Output Object to be mapped			
Range: –	Unit: –	Default: 32201201 hex	Attribute: –
Size: 1 byte (BOOL)	Access: RO	PDO map: Not possible	
Sub-index 19: 19th Output Object to be mapped			
Range: –	Unit: –	Default: 32201301 hex	Attribute: –
Size: 1 byte (BOOL)	Access: RO	PDO map: Not possible	
Sub-index 20: 20th Output Object to be mapped			
Range: –	Unit: –	Default: 32201401 hex	Attribute: –
Size: 1 byte (BOOL)	Access: RO	PDO map: Not possible	
Sub-index 21: 21th Output Object to be mapped			
Range: –	Unit: –	Default: 32201501 hex	Attribute: –
Size: 1 byte (BOOL)	Access: RO	PDO map: Not possible	
Sub-index 22: 22th Output Object to be mapped			
Range: –	Unit: –	Default: 32201601 hex	Attribute: –
Size: 1 byte (BOOL)	Access: RO	PDO map: Not possible	
Sub-index 23: 23th Output Object to be mapped			
Range: –	Unit: –	Default: 32201701 hex	Attribute: –
Size: 1 byte (BOOL)	Access: RO	PDO map: Not possible	
Sub-index 24: 24th Output Object to be mapped			
Range: –	Unit: –	Default: 32201801 hex	Attribute: –
Size: 1 byte (BOOL)	Access: RO	PDO map: Not possible	
Sub-index 25: 25th Output Object to be mapped			
Range: –	Unit: –	Default: 32201901 hex	Attribute: –
Size: 1 byte (BOOL)	Access: RO	PDO map: Not possible	
Sub-index 26: 26th Output Object to be mapped			
Range: –	Unit: –	Default: 32201A01 hex	Attribute: –
Size: 1 byte (BOOL)	Access: RO	PDO map: Not possible	
Sub-index 27: 27th Output Object to be mapped			
Range: –	Unit: –	Default: 32201B01 hex	Attribute: –
Size: 1 byte (BOOL)	Access: RO	PDO map: Not possible	

Sub-index 28: 28th Output Object to be mapped			
Range: –	Unit: –	Default: 32201C01 hex	Attribute: –
Size: 1 byte (BOOL)	Access: RO	PDO map: Not possible	
Sub-index 29: 29th Output Object to be mapped			
Range: –	Unit: –	Default: 32201D01 hex	Attribute: –
Size: 1 byte (BOOL)	Access: RO	PDO map: Not possible	
Sub-index 30: 30th Output Object to be mapped			
Range: –	Unit: –	Default: 32201E01 hex	Attribute: –
Size: 1 byte (BOOL)	Access: RO	PDO map: Not possible	
Sub-index 31: 31th Output Object to be mapped			
Range: –	Unit: –	Default: 32201F01 hex	Attribute: –
Size: 1 byte (BOOL)	Access: RO	PDO map: Not possible	
Sub-index 32: 32th Output Object to be mapped			
Range: –	Unit: –	Default: 32202001 hex	Attribute: –
Size: 1 byte (BOOL)	Access: RO	PDO map: Not possible	

- This object gives the mapping for an application that uses digital output functions.

1B00 hex	257th transmit PDO Mapping		
Sub-index 0: Number of objects			
Range: –	Unit: –	Default: Differ by Slave Unit types*	Attribute: –
Size: 1 byte (U8)	Access: RO	PDO map: Not possible	
Sub-index 1: 1st Input Object to be mapped			
Range: –	Unit: –	Default: Differ by Slave Unit types*	Attribute: –
Size: 4 bytes (U32)	Access: RO	PDO map: Not possible	

- This object gives the mapping for an application that uses digital input functions.

* The default settings of the 257th transmit PDO Mapping and the 257th receive PDO Mapping are given below.

Type	Model		257th Receive PDO Mapping		257th Transmit PDO Mapping	
	Slave Unit	Expansion Unit	Number of objects	1st object	Number of objects	1st object
2-tier terminal block	GX-ID1611/ID1621	–	–	–	01 hex	61000110 hex
		XWT-ID08 (–1)	–	–	01 hex	61200120 hex
		XWT-ID16 (–1)	–	–	01 hex	61200120 hex
		XWT-OD08 (–1)	01 hex	63000110 hex	01 hex	61000110 hex
		XWT-OD16 (–1)	01 hex	63000110 hex	01 hex	61000110 hex
	GX-OD1611/OD1621	–	01 hex	63000110 hex	–	–
		XWT-ID08 (–1)	01 hex	63000110 hex	01 hex	61000110 hex
		XWT-ID16 (–1)	01 hex	63000110 hex	01 hex	61000110 hex
		XWT-OD08 (–1)	01 hex	63200120 hex	–	–
	GX-OC1601	XWT-OD16 (–1)	01 hex	63200120 hex	–	–
		–	01 hex	63000110 hex	–	–
		XWT-ID08 (–1)	01 hex	63000110 hex	01 hex	61000110 hex
		XWT-ID16 (–1)	01 hex	63000110 hex	01 hex	61000110 hex
e-CON Connectors	XWT-OD08 (–1)	01 hex	63200120 hex	–	–	
	XWT-OD16 (–1)	01 hex	63200120 hex	–	–	
	GX-MD1611/MD1621	–	01 hex	63000110 hex	01 hex	61000110 hex
	3-tier terminal block	GX-ID1612/ID1622	–	–	01 hex	61000110 hex
		GX-OD1612/OD1622	–	01 hex	63000110 hex	–
GX-MD1612/MD1622		–	01 hex	63000110 hex	01 hex	61000110 hex
e-CON Connectors	GX-ID1618/ID1628	–	–	01 hex	61000110 hex	
	GX-OD1618/OD1628	–	01 hex	63000110 hex	–	–
	GX-MD1618/MD1628	–	01 hex	63000110 hex	01 hex	61000110 hex
	GX-ID3218/ID3228	–	–	01 hex	61200120 hex	
	GX-OD3218/OD3228	–	01 hex	63200120 hex	–	–
	GX-MD3218/MD3228	–	01 hex	63000110 hex	01 hex	61000110 hex

1B01 hex	258th transmit PDO Mapping		
Sub-index 0: Number of objects			
Range: –	Unit: –	Default: Differ by Slave Unit types*	Attribute: –
Size: 1 byte (U8)	Access: RO	PDO map: Not possible	
Sub-index 1: 1st Input Object to be mapped			
Range: –	Unit: –	Default: 30200101 hex	Attribute: –
Size: 1 byte (BOOL)	Access: RO	PDO map: Not possible	
Sub-index 2: 2nd Input Object to be mapped			
Range: –	Unit: –	Default: 30200201 hex	Attribute: –
Size: 1 byte (BOOL)	Access: RO	PDO map: Not possible	
Sub-index 3: 3rd Input Object to be mapped			
Range: –	Unit: –	Default: 30200301 hex	Attribute: –
Size: 1 byte (BOOL)	Access: RO	PDO map: Not possible	
Sub-index 4: 4th Input Object to be mapped			
Range: –	Unit: –	Default: 30200401 hex	Attribute: –
Size: 1 byte (BOOL)	Access: RO	PDO map: Not possible	
Sub-index 5: 5th Input Object to be mapped			
Range: –	Unit: –	Default: 30200501 hex	Attribute: –
Size: 1 byte (BOOL)	Access: RO	PDO map: Not possible	
Sub-index 6: 6th Input Object to be mapped			
Range: –	Unit: –	Default: 30200601 hex	Attribute: –
Size: 1 byte (BOOL)	Access: RO	PDO map: Not possible	
Sub-index 7: 7th Input Object to be mapped			
Range: –	Unit: –	Default: 30200701 hex	Attribute: –
Size: 1 byte (BOOL)	Access: RO	PDO map: Not possible	
Sub-index 8: 8th Input Object to be mapped			
Range: –	Unit: –	Default: 30200801 hex	Attribute: –
Size: 1 byte (BOOL)	Access: RO	PDO map: Not possible	
Sub-index 9: 9th Input Object to be mapped			
Range: –	Unit: –	Default: 30200901 hex	Attribute: –
Size: 1 byte (BOOL)	Access: RO	PDO map: Not possible	
Sub-index 10: 10th Input Object to be mapped			
Range: –	Unit: –	Default: 30200A01 hex	Attribute: –
Size: 1 byte (BOOL)	Access: RO	PDO map: Not possible	
Sub-index 11: 11th Input Object to be mapped			
Range: –	Unit: –	Default: 30200B01 hex	Attribute: –
Size: 1 byte (BOOL)	Access: RO	PDO map: Not possible	
Sub-index 12: 12th Input Object to be mapped			
Range: –	Unit: –	Default: 30200C01 hex	Attribute: –
Size: 1 byte (BOOL)	Access: RO	PDO map: Not possible	
Sub-index 13: 13th Input Object to be mapped			
Range: –	Unit: –	Default: 30200D01 hex	Attribute: –
Size: 1 byte (BOOL)	Access: RO	PDO map: Not possible	
Sub-index 14: 14th Input Object to be mapped			
Range: –	Unit: –	Default: 30200E01 hex	Attribute: –
Size: 1 byte (BOOL)	Access: RO	PDO map: Not possible	
Sub-index 15: 15th Input Object to be mapped			
Range: –	Unit: –	Default: 30200F01 hex	Attribute: –
Size: 1 byte (BOOL)	Access: RO	PDO map: Not possible	
Sub-index 16: 16th Input Object to be mapped			
Range: –	Unit: –	Default: 30201001 hex	Attribute: –
Size: 1 byte (BOOL)	Access: RO	PDO map: Not possible	
Sub-index 17: 17th Input Object to be mapped			
Range: –	Unit: –	Default: 30201101 hex	Attribute: –
Size: 1 byte (BOOL)	Access: RO	PDO map: Not possible	
Sub-index 18: 18th Input Object to be mapped			
Range: –	Unit: –	Default: 30201201 hex	Attribute: –
Size: 1 byte (BOOL)	Access: RO	PDO map: Not possible	

Sub-index 19: 19th Input Object to be mapped			
Range: –	Unit: –	Default: 30201301 hex	Attribute: –
Size: 1 byte (BOOL)	Access: RO	PDO map: Not possible	
Sub-index 20: 20th Input Object to be mapped			
Range: –	Unit: –	Default: 30201401 hex	Attribute: –
Size: 1 byte (BOOL)	Access: RO	PDO map: Not possible	
Sub-index 21: 21th Input Object to be mapped			
Range: –	Unit: –	Default: 30201501 hex	Attribute: –
Size: 1 byte (BOOL)	Access: RO	PDO map: Not possible	
Sub-index 22: 22th Input Object to be mapped			
Range: –	Unit: –	Default: 30201601 hex	Attribute: –
Size: 1 byte (BOOL)	Access: RO	PDO map: Not possible	
Sub-index 23: 23th Input Object to be mapped			
Range: –	Unit: –	Default: 30201701 hex	Attribute: –
Size: 1 byte (BOOL)	Access: RO	PDO map: Not possible	
Sub-index 24: 24th Input Object to be mapped			
Range: –	Unit: –	Default: 30201801 hex	Attribute: –
Size: 1 byte (BOOL)	Access: RO	PDO map: Not possible	
Sub-index 25: 25th Input Object to be mapped			
Range: –	Unit: –	Default: 30201901 hex	Attribute: –
Size: 1 byte (BOOL)	Access: RO	PDO map: Not possible	
Sub-index 26: 26th Input Object to be mapped			
Range: –	Unit: –	Default: 30201A01 hex	Attribute: –
Size: 1 byte (BOOL)	Access: RO	PDO map: Not possible	
Sub-index 27: 27th Input Object to be mapped			
Range: –	Unit: –	Default: 30201B01 hex	Attribute: –
Size: 1 byte (BOOL)	Access: RO	PDO map: Not possible	
Sub-index 28: 28th Input Object to be mapped			
Range: –	Unit: –	Default: 30201C01 hex	Attribute: –
Size: 1 byte (BOOL)	Access: RO	PDO map: Not possible	
Sub-index 29: 29th Input Object to be mapped			
Range: –	Unit: –	Default: 30201D01 hex	Attribute: –
Size: 1 byte (BOOL)	Access: RO	PDO map: Not possible	
Sub-index 30: 30th Input Object to be mapped			
Range: –	Unit: –	Default: 30201E01 hex	Attribute: –
Size: 1 byte (BOOL)	Access: RO	PDO map: Not possible	
Sub-index 31: 31th Input Object to be mapped			
Range: –	Unit: –	Default: 30201F01 hex	Attribute: –
Size: 1 byte (BOOL)	Access: RO	PDO map: Not possible	
Sub-index 32: 32th Input Object to be mapped			
Range: –	Unit: –	Default: 30202001 hex	Attribute: –
Size: 1 byte (BOOL)	Access: RO	PDO map: Not possible	

- This object gives the mapping for an application that uses digital input functions.

* The default settings (Number of objects) of the 258th transmit PDO Mapping and the 258th receive PDO Mapping are given below.

Type	Model		258th Receive PDO Mapping	258th Transmit PDO Mapping
	Slave Unit	Expansion Unit	Number of objects	Number of objects
2-tier terminal block	GX-ID1611/ID1621	–	–	10 hex
		XWT-ID08 (–1)	–	20 hex
		XWT-ID16 (–1)	–	20 hex
		XWT-OD08 (–1)	10 hex	10 hex
		XWT-OD16 (–1)	10 hex	10 hex
	GX-OD1611/OD1621	–	10 hex	–
		XWT-ID08 (–1)	10 hex	10 hex
		XWT-ID16 (–1)	10 hex	10 hex
		XWT-OD08 (–1)	20 hex	–
		XWT-OD16 (–1)	20 hex	–
	GX-OC1601	–	10 hex	–
		XWT-ID08 (–1)	10 hex	10 hex
		XWT-ID16 (–1)	10 hex	10 hex
XWT-OD08 (–1)		20 hex	–	
XWT-OD16 (–1)		20 hex	–	
	GX-MD1611/MD1621	–	10 hex	10 hex
3-tier terminal block	GX-ID1612/ID1622	–	–	10 hex
	GX-OD1612/OD1622	–	10 hex	–
	GX-MD1612/MD1622	–	10 hex	10 hex
e-CON Connectors	GX-ID1618/ID1628	–	–	10 hex
	GX-OD1618/OD1628	–	10 hex	–
	GX-MD1618/MD1628	–	10 hex	10 hex
	GX-ID3218/ID3228	–	–	20 hex
	GX-OD3218/OD3228	–	20 hex	–
	GX-MD3218/MD3228	–	10 hex	10 hex



Analog I/O Slave Unit

1700 hex	257th receive PDO Mapping		
Sub-index 0: Number of objects			
Range: –	Unit: –	Default: 02 hex	Attribute: –
Size: 1 byte (U8)	Access: RO		PDO map: Not possible
Sub-index 1: 1st Output Object to be mapped			
Range: –	Unit: –	Default: 64110110 hex	Attribute: –
Size: 4 bytes (U32)	Access: RO		PDO map: Not possible
Sub-index 2: 2nd Output Object to be mapped			
Range: –	Unit: –	Default: 64110210 hex	Attribute: –
Size: 4 bytes (U32)	Access: RO		PDO map: Not possible

- This object gives the mapping for an analog output application. It is mapped only to Analog Output Slave Units.

1B00 hex	257th transmit PDO Mapping		
Sub-index 0: Number of objects			
Range: –	Unit: –	Default: 04 hex	Attribute: –
Size: 1 byte (U8)	Access: RO		PDO map: Not possible
Sub-index 1: 1st Input Object to be mapped			
Range: –	Unit: –	Default: 64010110 hex	Attribute: –
Size: 4 bytes (U32)	Access: RO		PDO map: Not possible
Sub-index 2: 2nd Input Object to be mapped			
Range: –	Unit: –	Default: 64010210 hex	Attribute: –
Size: 4 bytes (U32)	Access: RO		PDO map: Not possible
Sub-index 3: 3rd Input Object to be mapped			
Range: –	Unit: –	Default: 64010310 hex	Attribute: –
Size: 4 bytes (U32)	Access: RO		PDO map: Not possible
Sub-index 4: 4th Input Object to be mapped			
Range: –	Unit: –	Default: 64010410 hex	Attribute: –
Size: 4 bytes (U32)	Access: RO		PDO map: Not possible

- This object gives the mapping for an analog input application. It is mapped only to Analog Input Slave Units.

Encoder Input Slave Unit

1700 hex	257th receive PDO Mapping		
Sub-index 0: Number of objects			
Range: –	Unit: –	Default: 02 hex	Attribute: –
Size: 1 byte (U8)	Access: RO		PDO map: Not possible
Sub-index 1: 1st Output Object to be mapped			
Range: –	Unit: –	Default: 40200110 hex	Attribute: –
Size: 4 bytes (U32)	Access: RO		PDO map: Not possible
Sub-index 2: 2nd Output Object to be mapped			
Range: –	Unit: –	Default: 40200210 hex	Attribute: –
Size: 4 bytes (U32)	Access: RO		PDO map: Not possible

- Mapping for soft switch command from the EtherCAT Master Unit to Slave Units.

1701 hex	258th receive PDO Mapping		
Sub-index 0: Number of objects			
Range: –	Unit: –	Default: 02 hex	Attribute: –
Size: 1 byte (U8)	Access: RO		PDO map: Not possible
Sub-index 1: 1st Output Object to be mapped			
Range: –	Unit: –	Default: 40110120 hex	Attribute: –
Size: 4 bytes (U32)	Access: RO		PDO map: Not possible
Sub-index 2: 2nd Output Object to be mapped			
Range: –	Unit: –	Default: 40110220 hex	Attribute: –
Size: 4 bytes (U32)	Access: RO		PDO map: Not possible

- Mapping for preset command value setting.

1702 hex	259th receive PDO Mapping		
Sub-index 0: Number of objects			
Range: –	Unit: –	Default: 20 hex	Attribute: –
Size: 1 byte (U8)	Access: RO		PDO map: Not possible
Sub-index 1: 1st Output Object to be mapped			
Range: –	Unit: –	Default: 40210101 hex	Attribute: –
Size: 1 byte (BOOL)	Access: RO		PDO map: Not possible
Sub-index 2: 2nd Output Object to be mapped			
Range: –	Unit: –	Default: 40210201 hex	Attribute: –
Size: 1 byte (BOOL)	Access: RO		PDO map: Not possible
Sub-index 3: 3rd Output Object to be mapped			
Range: –	Unit: –	Default: 40210301 hex	Attribute: –
Size: 1 byte (BOOL)	Access: RO		PDO map: Not possible
Sub-index 4: 4th Output Object to be mapped			
Range: –	Unit: –	Default: 40210401 hex	Attribute: –
Size: 1 byte (BOOL)	Access: RO		PDO map: Not possible
Sub-index 5: 5th Output Object to be mapped			
Range: –	Unit: –	Default: 40210501 hex	Attribute: –
Size: 1 byte (BOOL)	Access: RO		PDO map: Not possible
Sub-index 6: 6th Output Object to be mapped			
Range: –	Unit: –	Default: 40210601 hex	Attribute: –
Size: 1 byte (BOOL)	Access: RO		PDO map: Not possible
Sub-index 7: 7th Output Object to be mapped			
Range: –	Unit: –	Default: 40210701 hex	Attribute: –
Size: 1 byte (BOOL)	Access: RO		PDO map: Not possible
Sub-index 8: 8th Output Object to be mapped			
Range: –	Unit: –	Default: 40210801 hex	Attribute: –
Size: 1 byte (BOOL)	Access: RO		PDO map: Not possible
Sub-index 9: 9th Output Object to be mapped			
Range: –	Unit: –	Default: 40210901 hex	Attribute: –
Size: 1 byte (BOOL)	Access: RO		PDO map: Not possible
Sub-index 10: 10th Output Object to be mapped			
Range: –	Unit: –	Default: 40210A01 hex	Attribute: –
Size: 1 byte (BOOL)	Access: RO		PDO map: Not possible
Sub-index 11: 11th Output Object to be mapped			
Range: –	Unit: –	Default: 40210B01 hex	Attribute: –
Size: 1 byte (BOOL)	Access: RO		PDO map: Not possible
Sub-index 12: 12th Output Object to be mapped			
Range: –	Unit: –	Default: 40210C01 hex	Attribute: –
Size: 1 byte (BOOL)	Access: RO		PDO map: Not possible
Sub-index 13: 13th Output Object to be mapped			
Range: –	Unit: –	Default: 40210D01 hex	Attribute: –
Size: 1 byte (BOOL)	Access: RO		PDO map: Not possible
Sub-index 14: 14th Output Object to be mapped			
Range: –	Unit: –	Default: 40210E01 hex	Attribute: –
Size: 1 byte (BOOL)	Access: RO		PDO map: Not possible
Sub-index 15: 15th Output Object to be mapped			
Range: –	Unit: –	Default: 40210F01 hex	Attribute: –
Size: 1 byte (BOOL)	Access: RO		PDO map: Not possible
Sub-index 16: 16th Output Object to be mapped			
Range: –	Unit: –	Default: 40211001 hex	Attribute: –
Size: 1 byte (BOOL)	Access: RO		PDO map: Not possible
Sub-index 17: 17th Output Object to be mapped			
Range: –	Unit: –	Default: 40211101 hex	Attribute: –
Size: 1 byte (BOOL)	Access: RO		PDO map: Not possible
Sub-index 18: 18th Output Object to be mapped			
Range: –	Unit: –	Default: 40211201 hex	Attribute: –
Size: 1 byte (BOOL)	Access: RO		PDO map: Not possible

Sub-index 19: 19th Output Object to be mapped			
Range: –	Unit: –	Default: 40211301 hex	Attribute: –
Size: 1 byte (BOOL)	Access: RO	PDO map: Not possible	
Sub-index 20: 20th Output Object to be mapped			
Range: –	Unit: –	Default: 40211401 hex	Attribute: –
Size: 1 byte (BOOL)	Access: RO	PDO map: Not possible	
Sub-index 21: 21th Output Object to be mapped			
Range: –	Unit: –	Default: 40211501 hex	Attribute: –
Size: 1 byte (BOOL)	Access: RO	PDO map: Not possible	
Sub-index 22: 22th Output Object to be mapped			
Range: –	Unit: –	Default: 40211601 hex	Attribute: –
Size: 1 byte (BOOL)	Access: RO	PDO map: Not possible	
Sub-index 23: 23th Output Object to be mapped			
Range: –	Unit: –	Default: 40211701 hex	Attribute: –
Size: 1 byte (BOOL)	Access: RO	PDO map: Not possible	
Sub-index 24: 24th Output Object to be mapped			
Range: –	Unit: –	Default: 40211801 hex	Attribute: –
Size: 1 byte (BOOL)	Access: RO	PDO map: Not possible	
Sub-index 25: 25th Output Object to be mapped			
Range: –	Unit: –	Default: 40211901 hex	Attribute: –
Size: 1 byte (BOOL)	Access: RO	PDO map: Not possible	
Sub-index 26: 26th Output Object to be mapped			
Range: –	Unit: –	Default: 40211A01 hex	Attribute: –
Size: 1 byte (BOOL)	Access: RO	PDO map: Not possible	
Sub-index 27: 27th Output Object to be mapped			
Range: –	Unit: –	Default: 40211B01 hex	Attribute: –
Size: 1 byte (BOOL)	Access: RO	PDO map: Not possible	
Sub-index 28: 28th Output Object to be mapped			
Range: –	Unit: –	Default: 40211C01 hex	Attribute: –
Size: 1 byte (BOOL)	Access: RO	PDO map: Not possible	
Sub-index 29: 29th Output Object to be mapped			
Range: –	Unit: –	Default: 40211D01 hex	Attribute: –
Size: 1 byte (BOOL)	Access: RO	PDO map: Not possible	
Sub-index 30: 30th Output Object to be mapped			
Range: –	Unit: –	Default: 40211E01 hex	Attribute: –
Size: 1 byte (BOOL)	Access: RO	PDO map: Not possible	
Sub-index 31: 31th Output Object to be mapped			
Range: –	Unit: –	Default: 40211F01 hex	Attribute: –
Size: 1 byte (BOOL)	Access: RO	PDO map: Not possible	
Sub-index 32: 32th Output Object to be mapped			
Range: –	Unit: –	Default: 40212001 hex	Attribute: –
Size: 1 byte (BOOL)	Access: RO	PDO map: Not possible	

- This mapping is for soft switch commands from the EtherCAT Master Unit to Slave Units.

1B00 hex	257th transmit PDO Mapping		
Sub-index 0: Number of objects			
Range: –	Unit: –	Default: 02 hex	Attribute: –
Size: 1 byte (U8)	Access: RO	PDO map: Not possible	
Sub-index 1: 1st Input Object to be mapped			
Range: –	Unit: –	Default: 40100120 hex	Attribute: –
Size: 4 bytes (U32)	Access: RO	PDO map: Not possible	
Sub-index 2: 2nd Input Object to be mapped			
Range: –	Unit: –	Default: 40100220 hex	Attribute: –
Size: 4 bytes (U32)	Access: RO	PDO map: Not possible	

- The mapping is for reading counter present values.

1B01 hex	258th transmit PDO Mapping		
Sub-index 0: Number of objects			
Range: –	Unit: –	Default: 02 hex	Attribute: –
Size: 1 byte (U8)	Access: RO		PDO map: Not possible
Sub-index 1: 1st Input Object to be mapped			
Range:–	Unit: –	Default: 40120120 hex	Attribute: –
Size: 4 bytes (U32)	Access: RO		PDO map: Not possible
Sub-index 2: 2nd Input Object to be mapped			
Range: –	Unit: –	Default: 40120220 hex	Attribute: –
Size: 4 bytes (U32)	Access: RO		PDO map: Not possible

- Mapping for preset command value setting.

1B02 hex	259th transmit PDO Mapping		
Sub-index 0: Number of objects			
Range: –	Unit: –	Default: 02 hex	Attribute: –
Size: 1 byte (U8)	Access: RO		PDO map: Not possible
Sub-index 1: 1st Input Object to be mapped			
Range:–	Unit: –	Default: 40130120 hex	Attribute: –
Size: 4 bytes (U32)	Access: RO		PDO map: Not possible
Sub-index 2: 2nd Input Object to be mapped			
Range: –	Unit: –	Default: 40130220 hex	Attribute: –
Size: 4 bytes (U32)	Access: RO		PDO map: Not possible

- Mapping for latch value A/B reading.

1B03 hex	260th transmit PDO Mapping		
Sub-index 0: Number of objects			
Range: –	Unit: –	Default: 02 hex	Attribute: –
Size: 1 byte (U8)	Access: RO		PDO map: Not possible
Sub-index 1: 1st Input Object to be mapped			
Range:–	Unit: –	Default: 40300108 hex	Attribute: –
Size: 4 bytes (U32)	Access: RO		PDO map: Not possible
Sub-index 2: 2nd Input Object to be mapped			
Range: –	Unit: –	Default: 40300208 hex	Attribute: –
Size: 4 bytes (U32)	Access: RO		PDO map: Not possible

- Mapping for status notification from a Slave Unit to the EtherCAT Master Unit.

1B04 hex	261th transmit PDO Mapping		
Sub-index 0: Number of objects			
Range: –	Unit: –	Default: 10 hex	Attribute: –
Size: 1 byte (U8)	Access: RO		PDO map: Not possible
Sub-index 1: 1st Input Object to be mapped			
Range: –	Unit: –	Default: 40310101 hex	Attribute: –
Size: 1 byte (BOOL)	Access: RO		PDO map: Not possible
Sub-index 2: 2nd Input Object to be mapped			
Range: –	Unit: –	Default: 40310201 hex	Attribute: –
Size: 1 byte (BOOL)	Access: RO		PDO map: Not possible
Sub-index 3: 3rd Input Object to be mapped			
Range: –	Unit: –	Default: 40310301 hex	Attribute: –
Size: 1 byte (BOOL)	Access: RO		PDO map: Not possible
Sub-index 4: 4th Input Object to be mapped			
Range: –	Unit: –	Default: 40310401 hex	Attribute: –
Size: 1 byte (BOOL)	Access: RO		PDO map: Not possible
Sub-index 5: 5th Input Object to be mapped			
Range: –	Unit: –	Default: 40310501 hex	Attribute: –
Size: 1 byte (BOOL)	Access: RO		PDO map: Not possible
Sub-index 6: 6th Input Object to be mapped			
Range: –	Unit: –	Default: 40310601 hex	Attribute: –
Size: 1 byte (BOOL)	Access: RO		PDO map: Not possible
Sub-index 7: 7th Input Object to be mapped			
Range: –	Unit: –	Default: 40310701 hex	Attribute: –
Size: 1 byte (BOOL)	Access: RO		PDO map: Not possible
Sub-index 8: 8th Input Object to be mapped			
Range: –	Unit: –	Default: 40310801 hex	Attribute: –
Size: 1 byte (BOOL)	Access: RO		PDO map: Not possible
Sub-index 9: 9th Input Object to be mapped			
Range: –	Unit: –	Default: 40310901 hex	Attribute: –
Size: 1 byte (BOOL)	Access: RO		PDO map: Not possible
Sub-index 10: 10th Input Object to be mapped			
Range: –	Unit: –	Default: 40310A01 hex	Attribute: –
Size: 1 byte (BOOL)	Access: RO		PDO map: Not possible
Sub-index 11: 11th Input Object to be mapped			
Range: –	Unit: –	Default: 40310B01 hex	Attribute: –
Size: 1 byte (BOOL)	Access: RO		PDO map: Not possible
Sub-index 12: 12th Input Object to be mapped			
Range: –	Unit: –	Default: 40310C01 hex	Attribute: –
Size: 1 byte (BOOL)	Access: RO		PDO map: Not possible
Sub-index 13: 13th Input Object to be mapped			
Range: –	Unit: –	Default: 40310D01 hex	Attribute: –
Size: 1 byte (BOOL)	Access: RO		PDO map: Not possible
Sub-index 14: 14th Input Object to be mapped			
Range: –	Unit: –	Default: 40310E01 hex	Attribute: –
Size: 1 byte (BOOL)	Access: RO		PDO map: Not possible
Sub-index 15: 15th Input Object to be mapped			
Range: –	Unit: –	Default: 40310F01 hex	Attribute: –
Size: 1 byte (BOOL)	Access: RO		PDO map: Not possible
Sub-index 16: 16th Input Object to be mapped			
Range: –	Unit: –	Default: 40311001 hex	Attribute: –
Size: 1 byte (BOOL)	Access: RO		PDO map: Not possible

- This mapping is for status notification from a Slave Unit to the EtherCAT Master Unit.

IO-Link Master Unit

1600 hex	1st receive PDO Mapping		
Sub-index 0: Number of objects in this PDO			
Range: 00 to 10 hex	Unit: –	Default: 01 hex	Attribute: –
Size: 1 byte (U8)	Access: RW	PDO map: Not possible	
Sub-index 1: 1st Output Object to be mapped			
Range: 70000110 hex	Unit: –	Default: 70000110 hex	Attribute: –
Size: 4 bytes (U32)	Access: RW	PDO map: Not possible	
...			
Sub-index 16: 16th Output Object to be mapped			
Range: 70001010 hex	Unit: –	Default: 70001010 hex	Attribute: –
Size: 4 bytes (U32)	Access: RW	PDO map: Not possible	
...			
1607 hex	8th receive PDO Mapping		
Sub-index 0: Number of objects in this PDO			
Range: 00 to 10 hex	Unit: –	Default: 01 hex	Attribute: –
Size: 1 byte (U8)	Access: RW	PDO map: Not possible	
Sub-index 1: 1st Output Object to be mapped			
Range: 70700110 hex	Unit: –	Default: 70700110 hex	Attribute: –
Size: 4 bytes (U32)	Access: RW	PDO map: Not possible	
...			
Sub-index 16: 16th Output Object to be mapped			
Range: 70701010 hex	Unit: –	Default: 70701010 hex	Attribute: –
Size: 4 bytes (U32)	Access: RW	PDO map: Not possible	
...			
1700 hex	257th receive PDO Mapping		
Sub-index 0: Number of objects in this PDO			
Range: 00 to 10 hex	Unit: –	Default: 01 hex	Attribute: –
Size: 1 byte (U8)	Access: RW	PDO map: Not possible	
Sub-index 1: 1st Output Object to be mapped			
Range: 31000110 hex	Unit: –	Default: 31000110 hex	Attribute: –
Size: 4 bytes (U32)	Access: RW	PDO map: Not possible	

1A00 hex	1st transmit PDO Mapping		
Sub-index 0: Number of objects in this PDO			
Range: 00 to 10 hex	Unit: –	Default: 01 hex	Attribute: –
Size: 1 byte (U8)	Access: RW	PDO map: Not possible	
Sub-index 1: 1st Input Object to be mapped			
Range: 60000110 hex	Unit: –	Default: 60000110 hex	Attribute: –
Size: 4 bytes (U32)	Access: RW	PDO map: Not possible	
...			
Sub-index 16: 16th Input Object to be mapped			
Range: 60001010 hex	Unit: –	Default: 60001010 hex	Attribute: –
Size: 4 bytes (U32)	Access: RW	PDO map: Not possible	
...			
1A07 hex	8th transmit PDO Mapping		
Sub-index 0: Number of objects in this PDO			
Range: 00 to 10 hex	Unit: –	Default: 01 hex	Attribute: –
Size: 1 byte (U8)	Access: RW	PDO map: Not possible	
Sub-index 1: 1st Input Object to be mapped			
Range: 60700110 hex	Unit: –	Default: 60700110 hex	Attribute: –
Size: 4 bytes (U32)	Access: RW	PDO map: Not possible	
...			
Sub-index 16: 16th Input Object to be mapped			
Range: 60701010 hex	Unit: –	Default: 60701010 hex	Attribute: –
Size: 4 bytes (U32)	Access: RW	PDO map: Not possible	
...			
1B00 hex	257th transmit PDO Mapping		
Sub-index 0: Number of objects in this PDO			
Range: 00 to 10 hex	Unit: –	Default: 01 hex	Attribute: –
Size: 1 byte (U8)	Access: RW	PDO map: Not possible	
Sub-index 1: 1st Input Object to be mapped			
Range: 30000110 hex	Unit: –	Default: 30000110 hex	Attribute: –
Size: 4 bytes (U32)	Access: RW	PDO map: Not possible	
...			
Sub-index 16: 16th Input Object to be mapped			
Range: 30001010 hex	Unit: –	Default: 30001010 hex	Attribute: –
Size: 4 bytes (U32)	Access: RW	PDO map: Not possible	
...			
1B01 hex	258th transmit PDO Mapping		
Sub-index 0: Number of objects in this PDO			
Range: 00 to 10 hex	Unit: –	Default: 01 hex	Attribute: –
Size: 1 byte (U8)	Access: RW	PDO map: Not possible	
Sub-index 1: 1st Input Object to be mapped			
Range: 30010110 hex	Unit: –	Default: 30010110 hex	Attribute: –
Size: 4 bytes (U32)	Access: RW	PDO map: Not possible	
...			
Sub-index 16: 16th Input Object to be mapped			
Range: 30011010 hex	Unit: –	Default: 30011010 hex	Attribute: –
Size: 4 bytes (U32)	Access: RW	PDO map: Not possible	
...			
1B02 hex	259th transmit PDO Mapping		
Sub-index 0: Number of objects in this PDO			
Range: 00 to 10 hex	Unit: –	Default: 01 hex	Attribute: –
Size: 1 byte (U8)	Access: RW	PDO map: Not possible	
Sub-index 1: 1st Input Object to be mapped			
Range: 30020110 hex	Unit: –	Default: 30020110 hex	Attribute: –
Size: 4 bytes (U32)	Access: RW	PDO map: Not possible	

1B03 hex	260th transmit PDO Mapping		
Sub-index 0: Number of objects in this PDO			
Range: 00 to 10 hex	Unit: –	Default: 01 hex	Attribute: –
Size: 1 byte (U8)	Access: RW	PDO map: Not possible	
Sub-index 1: 1st Input Object to be mapped			
Range: 30030110 hex	Unit: –	Default: 30030110 hex	Attribute: –
Size: 4 bytes (U32)	Access: RW	PDO map: Not possible	

1B04 hex	261th transmit PDO Mapping		
Sub-index 0: Number of objects in this PDO			
Range: 00 to 10 hex	Unit: –	Default: 01 hex	Attribute: –
Size: 1 byte (U8)	Access: RW	PDO map: Not possible	
Sub-index 1: 1st Input Object to be mapped			
Range: 30040110 hex	Unit: –	Default: 30040110 hex	Attribute: –
Size: 4 bytes (U32)	Access: RW	PDO map: Not possible	

1B05 hex	262th transmit PDO Mapping		
Sub-index 0: Number of objects in this PDO			
Range: 00 to 10 hex	Unit: –	Default: 01 hex	Attribute: –
Size: 1 byte (U8)	Access: RW	PDO map: Not possible	
Sub-index 1: 1st Input Object to be mapped			
Default: 30050110 hex	Unit: –	Range: 30050110 hex	Attribute: –
Size: 4 bytes (U32)	Access: RW	PDO map: Not possible	

1BFF hex	512th transmit PDO Mapping		
Sub-index 0: Number of objects in this PDO			
Range: 00 to 10 hex	Unit: –	Default: 01 hex	Attribute: –
Size: 1 byte (U8)	Access: RW	PDO map: Not possible	
Sub-index 1: 1st Input Object to be mapped			
Range: 20020108 hex	Unit: –	Default: 20020108 hex	Attribute: –
Size: 4 bytes (U32)	Access: RW	PDO map: Not possible	

All Slave Units

1BFE hex	511th transmit PDO Mapping		
Sub-index 0: Number of objects in this PDO			
Range: 00 to 10 hex	Unit: –	Default: 02 hex	Attribute: –
Size: 1 byte (U8)	Access: RO	PDO map: Not possible	
Sub-index 1: 1st Input Object to be mapped			
Range: 10F30401 hex	Unit: –	Default: 10F30401 hex	Attribute: –
Size: 4 bytes (U32)	Access: RO	PDO map: Not possible	
Sub-index 2: 2nd Input Object to be mapped			
Range: 00000007 hex	Unit: –	Default: 00000007 hex	Attribute: –
Size: 4 bytes (U32)	Access: RO	PDO map: Not possible	

- This object is a PDO mapping object that is used to report whether the diagnosis history is updated. You cannot add or delete application objects.
- The new messages available of index 10F3 hex, subindex 4 hex is mapped to subindex 1 hex (1st Input Object to be mapped).
- Subindex 2 hex (2nd Input Object to be mapped) is the padding data.
- This object can be configured for unit version 1.2 or later of the GX-series Digital I/O Slave Units, Analog I/O Slave Units, and Encoder Input Slave Units.
- This object can be configured for unit version 1.0 or later of the GX-series IO-Link Master Unit.

1BFF hex	512th transmit PDO Mapping		
Sub-index 0: Number of objects in this PDO			
Range: –	Unit: –	Default: 01 hex	Attribute: –
Size: 1 byte (U8)	Access: RO	PDO map: Not possible	
Sub-index 1: 1st Input Object to be mapped			
Range:–	Unit: –	Default: 20020108 hex	Attribute: –
Size: 4 bytes (U32)	Access: RO	PDO map: Not possible	

- This object gives the mapping for notification of errors that are detected in the Slave Unit.
- The mapping includes 2002 hex-01 hex (Sysmac Error Status).
- When connected to an NJ-series Machine Automation Controller (NJ501-1□00), 1C13 hex (Sync manager 3 PDO assignment) is assigned to this object.
This object is automatically assigned in the default settings of the Sysmac Studio.
- For the GX-series Digital I/O Slave Units, Analog I/O Slave Units, and Encoder Input Slave Units, this object can be set for unit version 1.1 or later.
- For the GX-series IO-Link Master Unit, this object can be set for unit version 1.0 or later.

A-1-6 Sync Manager Communication Object

The communication memory of EtherCAT is set by the objects from 1C00 hex to 1C13 hex.

1C00 hex	Sync Manager Communication Type		
Sub-index 0: Number of used SM channels			
Range: –	Unit: –	Default: 04 hex	Attribute: –
Size: 1 byte (U8)	Access: RO		PDO map: Not possible
Sub-index 1: Communication Type Sync Manager 0			
Range: –	Unit: –	Default: 01 hex	Attribute: –
Size: 4 bytes (U8)	Access: RO		PDO map: Not possible
Sub-index 2: Communication Type Sync Manager 1			
Range: –	Unit: –	Default: 02 hex	Attribute: –
Size: 4 bytes (U8)	Access: RO		PDO map: Not possible
Sub-index 3: Communication Type Sync Manager 2			
Range: -	Unit: -	Default: 03 hex	Attribute: -
Size: 4 bytes (U8)	Access: RO		PDO map: Not possible
Sub-index 4: Communication Type Sync Manager 3			
Range: -	Unit: -	Default: 04 hex	Attribute: -
Size: 4 bytes (U8)	Access: RO		PDO map: Not possible

- The sync manager has the following settings.
 - SM0 : Mailbox receive (EtherCAT Master Unit to Slave Unit)
 - SM1 : Mailbox transmit (EtherCAT Slave Unit to Master Unit)
 - SM2 : Process data output (EtherCAT Master Unit to Slave Unit)
 - SM3 : Process data input (EtherCAT Slave Unit to Master Unit)

1C10 hex	Sync Manager 0 PDO Assignment		
Sub-index 0: Number of assigned PDOs			
Range: 00 hex	Unit: –	Default: 00 hex	Attribute: –
Size: 1 byte (U8)	Access: RO		PDO map: Not possible

- It indicates the number of PDO mappings used by this sync manager.
- Mailbox reception sync manager does not have PDOs.

1C11 hex	Sync Manager 1 PDO Assignment		
Sub-index 0: Number of assigned PDOs			
Range: 00 hex	Unit: –	Default: 00 hex	Attribute: –
Size: 1 byte (U8)	Access: RO	PDO map: Not possible	

- It indicates the number of PDO mappings used by this sync manager.
- Mailbox transmit sync manager does not have PDOs.

1C12 hex	Sync Manager 2 PDO Assignment		
Sub-index 0: Number of assigned PDOs			
Range: 00 hex to 08 hex	Unit: –	Default: Differ by Slave Unit types*	Attribute: –
Size: 1 byte (U8)	Access: RW*	PDO map: Not possible	
Sub-index 1 to 8: 1st-8th PDO Mapping Object Index of assigned PDO			
Range: 1600 hex to 17FF hex	Unit: –	Default: Differ by Slave Unit types*	Attribute: –
Size: 2 bytes (U16)	Access: RW*	PDO map: Not possible	

- * "RO" is set if there is no RxPDO.
- It indicates the RxPDOs used by this sync manager.

1C13 hex	Sync Manager 3 PDO Assignment		
Sub-index 0: Number of assigned PDOs			
Range: 00 hex to 08 hex	Unit: –	Default: Differ by Slave Unit types*	Attribute: –
Size: 1 byte (U8)	Access: RW*	PDO map: Not possible	
Sub-index 1 to 8: 1st-8th PDO Mapping Object Index of assigned PDO			
Range: 1A00 hex to 1BFF hex	Unit: –	Default: Differ by Slave Unit types*	Attribute: –
Size: 2 bytes (U16)	Access: RW*	PDO map: Not possible	

- * "RO" is set if there is no TxPDO.
- It indicates the TxPDOs used by this sync manager.

- * The default settings for Sync Manager 2 PDO Assignment and Sync Manager 3 PDO Assignment are different for OMRON software and software from other companies. The default settings are given in the following table.

Default Settings for OMRON Software

- Digital I/O Slave Unit

Model		Sync manager 2 PDO assignment		Sync manager 3 PDO assignment	
Slave Unit	Expansion Unit	Number of assigned RxPDOs	Assigned PDO 1	Number of assigned TxPDOs	Assigned PDO 1
GX-ID1611/ID1621	–	00 hex	–	01 hex	1B00 hex
	XWT-ID08 (–1)	00 hex	–	01 hex	1B00 hex
	XWT-ID16 (–1)	00 hex	–	01 hex	1B00 hex
	XWT-OD08 (–1)	01 hex	1700 hex	01 hex	1B00 hex
	XWT-OD16 (–1)	01 hex	1700 hex	01 hex	1B00 hex
GX-OD1611/OD1621	–	01 hex	1700 hex	00 hex	–
	XWT-ID08 (–1)	01 hex	1700 hex	01 hex	1B00 hex
	XWT-ID16 (–1)	01 hex	1700 hex	01 hex	1B00 hex
	XWT-OD08 (–1)	01 hex	1700 hex	00 hex	–
	XWT-OD16 (–1)	01 hex	1700 hex	00 hex	–
GX-OC1601	–	01 hex	1700 hex	00 hex	–
	XWT-ID08 (–1)	01 hex	1700 hex	01 hex	1B00 hex
	XWT-ID16 (–1)	01 hex	1700 hex	01 hex	1B00 hex
	XWT-OD08 (–1)	01 hex	1700 hex	00 hex	–
	XWT-OD16 (–1)	01 hex	1700 hex	00 hex	–
GX-MD1611 /MD1621	–	01 hex	1700 hex	01 hex	1B00 hex
GX-ID1612 /ID1622	–	00 hex	–	01 hex	1B00 hex
GX-OD1612 /OD1622	–	01 hex	1700 hex	00 hex	–
GX-MD1612 /MD1622	–	01 hex	1700 hex	01 hex	1B00 hex
GX-ID1618 /ID1628	–	00 hex	–	01 hex	1B00 hex
GX-OD1618 /OD1628	–	01 hex	1700 hex	00 hex	–
GX-MD1618 /MD1628	–	01 hex	1700 hex	01 hex	1B00 hex
GX-ID3218 /ID3228	–	00 hex	–	01 hex	1B00 hex
GX-OD3218 /OD3228	–	01 hex	1700 hex	00 hex	–
GX-MD3218 /MD3228	–	01 hex	1700 hex	01 hex	1B00 hex

- Analog I/O Slave Unit

Model	Sync manager 2 PDO assignment		Sync manager 3 PDO assignment	
	Number of assigned RxPDOs	Assigned PDO 1	Number of assigned TxPDOs	Assigned PDO 1
GX-AD0471	00 hex	–	01 hex	1B00 hex
GX-DA0271	01 hex	1700 hex	00 hex	–

- Encoder Input Slave Unit

Model	Sync manager 2 PDO assignment			Sync manager 3 PDO assignment				
	Number of assigned RxPDOs	Assigned PDO		Number of assigned TxPDOs	Assigned PDO			
		1	2		1	2	3	4
GX-EC0211 /EC0241	02 hex	1700 hex	1701 hex	04 hex	1B03 hex	1B00 hex	1B01 hex	1B02 hex

• IO-Link Master Unit

Model	Sync manager 2 PDO assignment		Sync manager 3 PDO assignment	
	Number of assigned RxPDOs	Assigned PDO 1	Number of assigned TxPDOs	Assigned PDO 1
GX-ILM08C	09 hex	1600 hex 1601 hex 1602 hex 1603 hex 1604 hex 1605 hex 1606 hex 1607 hex 1700 hex	10 hex	1A00 hex 1A01 hex 1A02 hex 1A03 hex 1A04 hex 1A05 hex 1A06 hex 1A07 hex 1B00 hex 1B01 hex 1B02 hex 1B03 hex 1B04 hex 1B05 hex 1BFE hex 1BFF hex

Default Settings for Software from Other Companies

- Digital I/O Slave Unit

Model		Sync manager 2 PDO assignment		Sync manager 3 PDO assignment	
Slave Unit	Expansion Unit	Number of assigned RxPDOs	Assigned PDO 1	Number of assigned TxPDOs	Assigned PDO 1
GX-ID1611/ID1621	–	00 hex	–	01 hex	1B01 hex
	XWT-ID08 (–1)	00 hex	–	01 hex	1B01 hex
	XWT-ID16 (–1)	00 hex	–	01 hex	1B01 hex
	XWT-OD08 (–1)	01 hex	1701 hex	01 hex	1B01 hex
	XWT-OD16 (–1)	01 hex	1701 hex	01 hex	1B01 hex
GX-OD1611/OD1621	–	01 hex	1701 hex	00 hex	–
	XWT-ID08 (–1)	01 hex	1701 hex	01 hex	1B01 hex
	XWT-ID16 (–1)	01 hex	1701 hex	01 hex	1B01 hex
	XWT-OD08 (–1)	01 hex	1701 hex	00 hex	–
	XWT-OD16 (–1)	01 hex	1701 hex	00 hex	–
GX-OC1601	–	01 hex	1701 hex	00 hex	–
	XWT-ID08 (–1)	01 hex	1701 hex	01 hex	1B01 hex
	XWT-ID16 (–1)	01 hex	1701 hex	01 hex	1B01 hex
	XWT-OD08 (–1)	01 hex	1701 hex	00 hex	–
	XWT-OD16 (–1)	01 hex	1701 hex	00 hex	–
GX-MD1611 /MD1621	–	01 hex	1701 hex	01 hex	1B01 hex
GX-ID1612 /ID1622	–	00 hex	–	01 hex	1B01 hex
GX-OD1612 /OD1622	–	01 hex	1701 hex	00 hex	–
GX-MD1612 /MD1622	–	01 hex	1701 hex	01 hex	1B01 hex
GX-ID1618 /ID1628	–	00 hex	–	01 hex	1B01 hex
GX-OD1618 /OD1628	–	01 hex	1701 hex	00 hex	–
GX-MD1618 /MD1628	–	01 hex	1701 hex	01 hex	1B01 hex
GX-ID3218 /ID3228	–	00 hex	–	01 hex	1B01 hex
GX-OD3218 /OD3228	–	01 hex	1701 hex	00 hex	–
GX-MD3218 /MD3228	–	01 hex	1701 hex	01 hex	1B01 hex

- Analog I/O Slave Unit

Model	Sync manager 2 PDO assignment		Sync manager 3 PDO assignment	
	Number of assigned RxPDOs	Assigned PDO 1	Number of assigned TxPDOs	Assigned PDO 1
GX-AD0471	00 hex	–	01 hex	1B00 hex
GX-DA0271	01 hex	1700 hex	00 hex	–

- Encoder Input Slave Unit

Model	Sync manager 2 PDO assignment			Sync manager 3 PDO assignment				
	Number of assigned RxPDOs	Assigned PDO		Number of assigned TxPDOs	Assigned PDO			
		1	2		1	2	3	4
GX-EC0211 /EC0241	02 hex	1702 hex	1701 hex	04 hex	1B04 hex	1B00 hex	1B01 hex	1B02 hex

- IO-Link Master Unit

Model	Sync manager 2 PDO assignment		Sync manager 3 PDO assignment	
	Number of assigned RxPDOs	Assigned PDO 1	Number of assigned TxPDOs	Assigned PDO 1
GX-ILM08C	09 hex	1600 hex 1601 hex 1602 hex 1603 hex 1604 hex 1605 hex 1606 hex 1607 hex 1700 hex	10 hex	1A00 hex 1A01 hex 1A02 hex 1A03 hex 1A04 hex 1A05 hex 1A06 hex 1A07 hex 1B00 hex 1B01 hex 1B02 hex 1B03 hex 1B04 hex 1B05 hex 1BFE hex 1BFF hex



Precautions for Correct Use

You cannot assign 1700 hex and 1701 hex or 1B00 hex and 1B01 hex for Digital I/O Slave Units at the same time. You cannot assign 1700 hex and 1702 hex or 1B03 hex and 1B04 hex for Encoder Input Slave Units at the same time. When using the OMRON Support Software, only 1700 hex and 1B00 hex can be set for Digital I/O Slave Units and only 1700 hex and 1B03 hex can be set for Encoder Input Slave Units.

A-1-7 Manufacturer Specific Objects

This section explains the CiA401 generic I/O module device profile implemented in GX-series EtherCAT Slave Units and the objects specially mounted in GX-series EtherCAT Slave Units.

All Slave Units

● Manufacturer Specific area 1

2100 hex	Error History Clear		
Range: –	Unit: –	Default: 00000000 hex	Attribute: A
Size: 4 bytes (U32)	Access: RW		PDO map: Not possible

- This object clears diagnosis history of 10F3 hex (Diagnosis History).
- It clears the history only when specific values are written. The specific value is "elcl".

MSB		LSB	
l	c	l	e
6C hex	63 hex	6C hex	65 hex

Writing values other than this is invalid.

2002 hex	Sysmac Error		
Sub-index 0: Number of entries			
Range: –	Unit: –	Default: 02 hex	Attribute: –
Size: 1 byte (U8)	Access: RO		PDO map: Not possible
Sub-index 1: Sysmac Error Status			
Range: –	Unit: –	Default: 00 hex	Attribute: –
Size: 1 byte (U8)	Access: RO		PDO map: Possible
Sub-index 2: Sysmac Error Status Clear			
Range: –	Unit: –	Default: 00 hex	Attribute: A
Size: 1 byte (U8)	Access: RW		PDO map: Not possible

- The mapping is used for Sysmac error status notification and to clear Sysmac error status.
- Sub-index 1: Sysmac Error Status
 - This object is for notification of errors that are detected in the Slave Unit.
 - When connected to an NJ-series Machine Automation Controller (NJ501-1□00), map this object to a PDO.
- Sub-index 2: Sysmac Error Status Clear
 - This object is used by the Controller (a Sysmac device) to reset errors that occur in Slave Units.
- For the GX-series Digital I/O Slave Units, Analog I/O Slave Units, and Encoder Input Slave Units, this object can be set for unit version 1.1 or later.
- For the GX-series IO-Link Master Unit, this object can be set for unit version 1.0 or later.



Reference

In the default Sysmac Studio settings, sub-index 1 (Sysmac Error Status) is automatically mapped to a PDO because 1BFF hex (512th transmit PDO Mapping) is assigned.

2200 hex	Communication Error Setting		
Range: 00 hex to 0F hex	Unit: number of sequences	Default: 01 hex	Attribute: C*
Size: 1 byte (U8)	Access: RW	PDO map: Not possible	

- Object mounted only on Slave Units operating in the DC mode.
- The number of sequences for detecting communications errors is set with this object.
- The setting range is from 00 to 0F hex and the number of detections is "the set number of times + 1."
- Rewriting value is possible at operation in the DC mode, but the operation is performed with the value set when shifting from the pre-operational state to safe-operational state. Note that at this point, the rewritten value is read.

Note: With the default setting of 01 hex, an error is detected if communications errors occur twice in a row.



Precaution for Safe Use

When you use an NJ/NX-series CPU Unit with the cable redundancy in DC Mode, set the Communications Error Setting set value for EtherCAT Slave Units in DC Mode to the following value. If the communications cable is disconnected or the power supply of the EtherCAT Slave Units is turned OFF with the Communications Error Setting set value set to any other value, communications may discontinue due to a communications synchronization error.

Project unit version 1.42 or later: 2 or higher
 Project unit version earlier than 1.42: 1 (default value) or higher

2201 hex	Sync Not Received Timeout Setting		
Range: 0000 hex to 0258 hex	Unit: s	Default: 0000 hex	Attribute: C*
Size: 2 bytes (U16)	Access: RW	PDO map: Not possible	

- Object mounted only on Slave Units operating in the DC mode.
- This object is used to set the standby time until the first synchronization interrupt signal (SYNC0) is input after shifting to the safe-operational state (state where a DC mode is confirmed).
- If the first interrupt signal (SYNC0) is not input at all within this setting time, a synchronization error occurs.
- The setting range is from 0000 hex to 0258 hex (600s) and operation is performed at 120s when 0000 hex is set.
- Rewriting value is possible at operation in the DC mode, but the operation is performed with the value set when shifting from the pre-operational state to safe-operational state. Note that at this point, the rewritten value is read.

Digital I/O Slave Unit

● Manufacturer Specific area 2

3000 hex	Input Time Constant		
Sub-index 0: Filter Constant			
Range: 00 hex to 07 hex	Unit: –	Default: 02 hex	Attribute: D*
Size: 1 byte (U8)	Access: RW	PDO map: Not possible	

- Sets the input filter.
- It is implemented in all Slave Units with input points (including Expansion Units if they are connected).

Set value	Filter set value [ms]
00 hex	0
01 hex	0.5
02 hex	1
03 hex	2
04 hex	4
05 hex	8
06 hex	16
07 hex	32

3020 hex	Read input bits		
Sub-index 0: Number of input bits			
Range: 00 hex to 32 hex	Unit: –	Default: Differ by Slave Unit types	Attribute: –
Size: 1 byte (U8)	Access: RO	PDO map: Not possible	
Sub-index 1: Input Bit00			
Range: 00 hex to 01 hex	Unit: –	Default: 00 hex	Attribute: –
Size: 1 byte (BOOL)	Access: RO	PDO map: Possible	
Sub-index 2: Input Bit01			
Range: 00 hex to 01 hex	Unit: –	Default: 00 hex	Attribute: –
Size: 1 byte (BOOL)	Access: RO	PDO map: Possible	
Sub-index 3: Input Bit02			
Range: 00 hex to 01 hex	Unit: –	Default: 00 hex	Attribute: –
Size: 1 byte (BOOL)	Access: RO	PDO map: Possible	
Sub-index 4: Input Bit03			
Range: 00 hex to 01 hex	Unit: –	Default: 00 hex	Attribute: –
Size: 1 byte (BOOL)	Access: RO	PDO map: Possible	
Sub-index 5: Input Bit04			
Range: 00 hex to 01 hex	Unit: –	Default: 00 hex	Attribute: –
Size: 1 byte (BOOL)	Access: RO	PDO map: Possible	
Sub-index 6: Input Bit05			
Range: 00 hex to 01 hex	Unit: –	Default: 00 hex	Attribute: –
Size: 1 byte (BOOL)	Access: RO	PDO map: Possible	
Sub-index 7: Input Bit06			
Range: 00 hex to 01 hex	Unit: –	Default: 00 hex	Attribute: –
Size: 1 byte (BOOL)	Access: RO	PDO map: Possible	
Sub-index 8: Input Bit07			
Range: 00 hex to 01 hex	Unit: –	Default: 00 hex	Attribute: –
Size: 1 byte (BOOL)	Access: RO	PDO map: Possible	
Sub-index 9: Input Bit08			
Range: 00 hex to 01 hex	Unit: –	Default: 00 hex	Attribute: –
Size: 1 byte (BOOL)	Access: RO	PDO map: Possible	
Sub-index 10: Input Bit09			
Range: 00 hex to 01 hex	Unit: –	Default: 00 hex	Attribute: –
Size: 1 byte (BOOL)	Access: RO	PDO map: Possible	
Sub-index 11: Input Bit10			
Range: 00 hex to 01 hex	Unit: –	Default: 00 hex	Attribute: –
Size: 1 byte (BOOL)	Access: RO	PDO map: Possible	
Sub-index 12: Input Bit11			
Range: 00 hex to 01 hex	Unit: –	Default: 00 hex	Attribute: –
Size: 1 byte (BOOL)	Access: RO	PDO map: Possible	
Sub-index 13: Input Bit12			
Range: 00 hex to 01 hex	Unit: –	Default: 00 hex	Attribute: –
Size: 1 byte (BOOL)	Access: RO	PDO map: Possible	
Sub-index 14: Input Bit13			
Range: 00 hex to 01 hex	Unit: –	Default: 00 hex	Attribute: –
Size: 1 byte (BOOL)	Access: RO	PDO map: Possible	
Sub-index 15: Input Bit14			
Range: 00 hex to 01 hex	Unit: –	Default: 00 hex	Attribute: –
Size: 1 byte (BOOL)	Access: RO	PDO map: Possible	
Sub-index 16: Input Bit15			
Range: 00 hex to 01 hex	Unit: –	Default: 00 hex	Attribute: –
Size: 1 byte (BOOL)	Access: RO	PDO map: Possible	
Sub-index 17: Input Bit16			
Range: 00 hex to 01 hex	Unit: –	Default: 00 hex	Attribute: –
Size: 1 byte (BOOL)	Access: RO	PDO map: Possible	
Sub-index 18: Input Bit17			
Range: 00 hex to 01 hex	Unit: –	Default: 00 hex	Attribute: –
Size: 1 byte (BOOL)	Access: RO	PDO map: Possible	

Sub-index 19: Input Bit18			
Range: 00 hex to 01 hex	Unit: –	Default: 00 hex	Attribute: –
Size: 1 byte (BOOL)	Access: RO	PDO map: Possible	
Sub-index 20: Input Bit19			
Range: 00 hex to 01 hex	Unit: –	Default: 00 hex	Attribute: –
Size: 1 byte (BOOL)	Access: RO	PDO map: Possible	
Sub-index 21: Input Bit20			
Range: 00 hex to 01 hex	Unit: –	Default: 00 hex	Attribute: –
Size: 1 byte (BOOL)	Access: RO	PDO map: Possible	
Sub-index 22: Input Bit21			
Range: 00 hex to 01 hex	Unit: –	Default: 00 hex	Attribute: –
Size: 1 byte (BOOL)	Access: RO	PDO map: Possible	
Sub-index 23: Input Bit22			
Range: 00 hex to 01 hex	Unit: –	Default: 00 hex	Attribute: –
Size: 1 byte (BOOL)	Access: RO	PDO map: Possible	
Sub-index 24: Input Bit23			
Range: 00 hex to 01 hex	Unit: –	Default: 00 hex	Attribute: –
Size: 1 byte (BOOL)	Access: RO	PDO map: Possible	
Sub-index 25: Input Bit24			
Range: 00 hex to 01 hex	Unit: –	Default: 00 hex	Attribute: –
Size: 1 byte (BOOL)	Access: RO	PDO map: Possible	
Sub-index 26: Input Bit25			
Range: 00 hex to 01 hex	Unit: –	Default: 00 hex	Attribute: –
Size: 1 byte (BOOL)	Access: RO	PDO map: Possible	
Sub-index 27: Input Bit26			
Range: 00 hex to 01 hex	Unit: –	Default: 00 hex	Attribute: –
Size: 1 byte (BOOL)	Access: RO	PDO map: Possible	
Sub-index 28: Input Bit27			
Range: 00 hex to 01 hex	Unit: –	Default: 00 hex	Attribute: –
Size: 1 byte (BOOL)	Access: RO	PDO map: Possible	
Sub-index 29: Input Bit28			
Range: 00 hex to 01 hex	Unit: –	Default: 00 hex	Attribute: –
Size: 1 byte (BOOL)	Access: RO	PDO map: Possible	
Sub-index 30: Input Bit29			
Range: 00 hex to 01 hex	Unit: –	Default: 00 hex	Attribute: –
Size: 1 byte (BOOL)	Access: RO	PDO map: Possible	
Sub-index 31: Input Bit30			
Range: 00 hex to 01 hex	Unit: –	Default: 00 hex	Attribute: –
Size: 1 byte (BOOL)	Access: RO	PDO map: Possible	
Sub-index 32: Input Bit31			
Range: 00 hex to 01 hex	Unit: –	Default: 00 hex	Attribute: –
Size: 1 byte (BOOL)	Access: RO	PDO map: Possible	

- The digital input values are stored in 1-bit units.
- Unit version 1.1 or later is required to set this object.

3220 hex	Read output bits		
Sub-index 0: Number of output bits			
Range: 00 hex to 32 hex	Unit: –	Default: Differ by Slave Unit types*	Attribute: –
Size: 1 byte (U8)	Access: RO	PDO map: Not possible	
Sub-index 1: Output Bit00			
Range: 00 hex to 01 hex	Unit: –	Default: 00 hex	Attribute: A
Size: 1 byte (BOOL)	Access: RW	PDO map: Possible	
Sub-index 2: Output Bit01			
Range: 00 hex to 01 hex	Unit: –	Default: 00 hex	Attribute: A
Size: 1 byte (BOOL)	Access: RW	PDO map: Possible	
Sub-index 3: Output Bit02			
Range: 00 hex to 01 hex	Unit: –	Default: 00 hex	Attribute: A
Size: 1 byte (BOOL)	Access: RW	PDO map: Possible	
Sub-index 4: Output Bit03			
Range: 00 hex to 01 hex	Unit: –	Default: 00 hex	Attribute: A
Size: 1 byte (BOOL)	Access: RW	PDO map: Possible	
Sub-index 5: Output Bit04			
Range: 00 hex to 01 hex	Unit: –	Default: 00 hex	Attribute: A
Size: 1 byte (BOOL)	Access: RW	PDO map: Possible	
Sub-index 6: Output Bit05			
Range: 00 hex to 01 hex	Unit: –	Default: 00 hex	Attribute: A
Size: 1 byte (BOOL)	Access: RW	PDO map: Possible	
Sub-index 7: Output Bit06			
Range: 00 hex to 01 hex	Unit: –	Default: 00 hex	Attribute: A
Size: 1 byte (BOOL)	Access: RW	PDO map: Possible	
Sub-index 8: Output Bit07			
Range: 00 hex to 01 hex	Unit: –	Default: 00 hex	Attribute: A
Size: 1 byte (BOOL)	Access: RW	PDO map: Possible	
Sub-index 9: Output Bit08			
Range: 00 hex to 01 hex	Unit: –	Default: 00 hex	Attribute: A
Size: 1 byte (BOOL)	Access: RW	PDO map: Possible	
Sub-index 10: Output Bit09			
Range: 00 hex to 01 hex	Unit: –	Default: 00 hex	Attribute: A
Size: 1 byte (BOOL)	Access: RW	PDO map: Possible	
Sub-index 11: Output Bit10			
Range: 00 hex to 01 hex	Unit: –	Default: 00 hex	Attribute: A
Size: 1 byte (BOOL)	Access: RW	PDO map: Possible	
Sub-index 12: Output Bit11			
Range: 00 hex to 01 hex	Unit: –	Default: 00 hex	Attribute: A
Size: 1 byte (BOOL)	Access: RW	PDO map: Possible	
Sub-index 13: Output Bit12			
Range: 00 hex to 01 hex	Unit: –	Default: 00 hex	Attribute: A
Size: 1 byte (BOOL)	Access: RW	PDO map: Possible	
Sub-index 14: Output Bit13			
Range: 00 hex to 01 hex	Unit: –	Default: 00 hex	Attribute: A
Size: 1 byte (BOOL)	Access: RW	PDO map: Possible	
Sub-index 15: Output Bit14			
Range: 00 hex to 01 hex	Unit: –	Default: 00 hex	Attribute: A
Size: 1 byte (BOOL)	Access: RW	PDO map: Possible	
Sub-index 16: Output Bit15			
Range: 00 hex to 01 hex	Unit: –	Default: 00 hex	Attribute: A
Size: 1 byte (BOOL)	Access: RW	PDO map: Possible	
Sub-index 17: Output Bit16			
Range: 00 hex to 01 hex	Unit: –	Default: 00 hex	Attribute: A
Size: 1 byte (BOOL)	Access: RW	PDO map: Possible	
Sub-index 18: Output Bit17			
Range: 00 hex to 01 hex	Unit: –	Default: 00 hex	Attribute: A
Size: 1 byte (BOOL)	Access: RW	PDO map: Possible	

Sub-index 19: Output Bit18			
Range: 00 hex to 01 hex	Unit: –	Default: 00 hex	Attribute: A
Size: 1 byte (BOOL)	Access: RW	PDO map: Possible	
Sub-index 20: Output Bit19			
Range: 00 hex to 01 hex	Unit: –	Default: 00 hex	Attribute: A
Size: 1 byte (BOOL)	Access: RW	PDO map: Possible	
Sub-index 21: Output Bit20			
Range: 00 hex to 01 hex	Unit: –	Default: 00 hex	Attribute: A
Size: 1 byte (BOOL)	Access: RW	PDO map: Possible	
Sub-index 22: Output Bit21			
Range: 00 hex to 01 hex	Unit: –	Default: 00 hex	Attribute: A
Size: 1 byte (BOOL)	Access: RW	PDO map: Possible	
Sub-index 23: Output Bit22			
Range: 00 hex to 01 hex	Unit: –	Default: 00 hex	Attribute: A
Size: 1 byte (BOOL)	Access: RW	PDO map: Possible	
Sub-index 24: Output Bit23			
Range: 00 hex to 01 hex	Unit: –	Default: 00 hex	Attribute: A
Size: 1 byte (BOOL)	Access: RW	PDO map: Possible	
Sub-index 25: Output Bit24			
Range: 00 hex to 01 hex	Unit: –	Default: 00 hex	Attribute: A
Size: 1 byte (BOOL)	Access: RW	PDO map: Possible	
Sub-index 26: Output Bit25			
Range: 00 hex to 01 hex	Unit: –	Default: 00 hex	Attribute: A
Size: 1 byte (BOOL)	Access: RW	PDO map: Possible	
Sub-index 27: Output Bit26			
Range: 00 hex to 01 hex	Unit: –	Default: 00 hex	Attribute: A
Size: 1 byte (BOOL)	Access: RW	PDO map: Possible	
Sub-index 28: Output Bit27			
Range: 00 hex to 01 hex	Unit: –	Default: 00 hex	Attribute: A
Size: 1 byte (BOOL)	Access: RW	PDO map: Possible	
Sub-index 29: Output Bit28			
Range: 00 hex to 01 hex	Unit: –	Default: 00 hex	Attribute: A
Size: 1 byte (BOOL)	Access: RW	PDO map: Possible	
Sub-index 30: Output Bit29			
Range: 00 hex to 01 hex	Unit: –	Default: 00 hex	Attribute: A
Size: 1 byte (BOOL)	Access: RW	PDO map: Possible	
Sub-index 31: Output Bit30			
Range: 00 hex to 01 hex	Unit: –	Default: 00 hex	Attribute: A
Size: 1 byte (BOOL)	Access: RW	PDO map: Possible	
Sub-index 32: Output Bit31			
Range: 00 hex to 01 hex	Unit: –	Default: 00 hex	Attribute: A
Size: 1 byte (BOOL)	Access: RW	PDO map: Possible	

- The digital output values are stored in 1-bit units.
- Unit version 1.1 or later is required to set this object.

● Device Profile area

6000 hex	Read input 8bit		
Sub-index 0: Number of inputs 8bit			
Range: 00 hex to 04 hex	Unit: –	Default: Differ by Slave Unit types*	Attribute: –
Size: 1 byte (U8)	Access: RO		PDO map: Not possible
Sub-index 1: Read input 1st byte			
Range: 00 hex to FF hex	Unit: –	Default: –	Attribute: –
Size: 1 byte (U8)	Access: RO		PDO map: Not possible*
Sub-index 2: Read input 2nd byte			
Range: 00h to FFh	Unit: –	Default: –	Attribute: –
Size: 1 byte (U8)	Access: RO		PDO map: Not possible
Sub-index 3: Read input 3rd byte			
Range: 00 hex to FF hex	Unit: –	Default: –	Attribute: –
Size: 1 byte (U8)	Access: RO		PDO map: Not possible
Sub-index 4: Read input 4th byte			
Range: 00 hex to FF hex	Unit: –	Default: –	Attribute: –
Size: 1 byte (U8)	Access: RO		PDO map: Not possible

- Digital input values are stored in units of 1 byte (8 bits).
- It is implemented in all Slave Units with input points (including Expansion Units if they are connected).

6100 hex	Read input 16bit		
Sub-index 0: Number of inputs 16bit			
Range: –	Unit: –	Default: 01 hex	Attribute: –
Size: 1 byte (U8)	Access: RO		PDO map: Not possible
Sub-index 1: Read input 1st word			
Range: 0000 hex to FFFF hex	Unit: –	Default: –	Attribute: –
Size: 2 bytes (U16)	Access: RO		PDO map: Possible

- Digital input values are stored in units of 2 byte (16 bits).

6120 hex	Read input 32bit		
Sub-index 0: Number of inputs 32bit			
Range: –	Unit: –	Default: 01 hex	Attribute: –
Size: 1 byte (U8)	Access: RO		PDO map: Not possible
Sub-index 1: Read input 1st double word			
Range: 00000000 hex to FFFFFFFF hex	Unit: –	Default: –	Attribute: –
Size: 4 bytes (U32)	Access: RO		PDO map: Possible

- Digital input values are stored in units of 4 byte (32 bits).

6200 hex	Write output 8bit		
Sub-index 0: Number of outputs 8bit			
Range: 00 hex to 04 hex	Unit: –	Default: Differ by Slave Unit types**	Attribute: –
Size: 1 byte (U8)	Access: RW	PDO map: Not possible	
Sub-index 1: Write output 1st byte			
Range: 00 hex to FF hex	Unit: –	Default: –	Attribute: A
Size: 1 byte (U8)	Access: RW	PDO map: Not possible*	
Sub-index 2: Write output 2nd byte			
Range: 00 hex to FF hex	Unit: –	Default: –	Attribute: A
Size: 1 byte (U8)	Access: RW	PDO map: Not possible	
Sub-index 3: Write output 3rd byte			
Range: 00 hex to FF hex	Unit: –	Default: –	Attribute: A
Size: 1 byte (U8)	Access: RW	PDO map: Not possible	
Sub-index 4: Write output 4th byte			
Range: 00 hex to FF hex	Unit: –	Default: –	Attribute: A
Size: 1 byte (U8)	Access: RW	PDO map: Not possible	

- Digital output values are controlled in units of 1 byte (8 bits).
- It is implemented in all Slave Units with output points (including Expansion Units if they are connected).

6300 hex	Write output 16bit		
Sub-index 0: Number of outputs 16bit			
Range: –	Unit: –	Default: 01 hex	Attribute: –
Size: 1 byte (U8)	Access: RO	PDO map: Not possible	
Sub-index 1: Write output 1st word			
Range: 0000 hex to FFFF hex	Unit: –	Default: –	Attribute: A
Size: 2 bytes (U16)	Access: RW	PDO map: Possible	

- Digital output values are controlled in units of 2 byte (16 bits).

6306 hex	Error mode output 16bit		
Sub-index 0: Number of outputs 16bit			
Range: –	Unit: –	Default: 01 hex	Attribute: –
Size: 1 byte (U8)	Access: RO	PDO map: Not possible	
Sub-index 1: Error mode output 1st word			
Range: 0000 hex to FFFF hex	Unit: –	Default: 0000 hex	Attribute: A*
Size: 2 bytes (U16)	Access: RW	PDO map: Not possible	

- Sets whether the data is cleared to 0 or retained at an error occurrence or at a node stop, in units of 2 bytes (16 bits).

Bits	15	14	• • • • •	1	0
Contents	OUT15 setting	OUT14 setting	• • • • •	OUT1 setting	OUT0 setting

Setting 0: Clear to 0, 1: Retain the value at error occurrence

6320 hex	Write output 32bit		
Sub-index 0: Number of outputs 32bit			
Range: –	Unit: –	Default: 01 hex	Attribute: –
Size: 1 byte (U8)	Access: RO	PDO map: Not possible	
Sub-index 1: Write output 1st double word			
Range: 00000000 hex to FFFFFFFF hex	Unit: –	Default: –	Attribute: A
Size: 4 bytes (U32)	Access: RW	PDO map: Not possible	

- Digital output values are stored in units of 4 bytes (32 bits).

6326 hex	Error mode output 32bit		
Sub-index 0: Number of outputs 32bit			
Range: –	Unit: –	Default: 01 hex	Attribute: –
Size: 1 byte (U8)	Access: RO		PDO map: Not possible
Sub-index 1: Error mode output 1st double word			
Range: 00000000 hex to FFFFFFFF hex	Unit: –	Default: 00000000 hex	Attribute: A*
Size: 4 bytes (U32)	Access: RW		PDO map: Possible

- Sets whether the data is cleared to 0 or retained at an error occurrence or at a node stop, in units of 4 bytes (32 bits).

Bits	31	30	• • • • •	1	0
Contents	OUT31 setting	OUT30 setting	• • • • •	OUT1 setting	OUT0 setting

Setting 0: Clear to 0, 1: Retain the value at error occurrence



Objects of Device Profile areas that are implemented in a Digital I/O Slave Unit is determined by the number of inputs and/or outputs per Slave Unit and whether or not Expansion Units are connected. The following table shows the objects of Device Profile area that are implemented in Digital I/O Slave Unit and the number of sub-indexes.

Type	Model		Number of supported sub-indexes No: Not supported										
	Slave Unit	Expansion Unit	Indexes	3020 hex	3220 hex	6000 hex	6100 hex	6120 hex	6200 hex	6300 hex	6306 hex	6320 hex	6326 hex
			Object Name I/O units capacity	Read input bits	Write output bits	Read input 8-bit	Read input 16-bit	Read input 32-bit	Write output 8-bit	Write output 16-bit	Error mode output 16-bit	Write output 32-bit	Error mode output 32-bit
2-tier terminal block	GX-ID1611 /ID1621	-	16 inputs	17	No	3	2	No	No	No	No	No	No
		XWT-ID08 (-1)	24 inputs	33	No	5	No	2	No	No	No	No	No
		XWT-ID16 (-1)	32 inputs	33	No	5	No	2	No	No	No	No	No
		XWT-OD08 (-1)	16 inputs and 8 outputs	17	17	3	2	No	3	2	2	No	No
		XWT-OD16 (-1)	16 inputs and 16 outputs	17	17	3	2	No	3	2	2	No	No
	GX-OD1611 /OD1621	XWT-ID08 (-1)	8 inputs and 16 outputs	17	17	3	2	No	3	2	2	No	No
		XWT-ID16 (-1)	16 inputs and 16 outputs	17	17	3	2	No	3	2	2	No	No
		-	16 outputs	No	17	No	No	No	3	2	2	No	No
		XWT-OD08 (-1)	24 outputs	No	33	No	No	No	5	No	No	2	2
		XWT-OD16 (-1)	32 outputs	No	33	No	No	No	5	No	No	2	2
	GX-OC1611	XWT-ID08 (-1)	8 inputs and 16 outputs	17	17	3	2	No	3	2	2	No	No
		XWT-ID16 (-1)	16 inputs and 16 outputs	17	17	3	2	No	3	2	2	No	No
		-	16 outputs	No	17	No	No	No	3	2	2	No	No
		XWT-OD08 (-1)	24 outputs	No	33	No	No	No	5	No	No	2	2
XWT-OD16 (-1)		32 outputs	No	33	No	No	No	5	No	No	2	2	
GX-MD1611 /MD1621	-	8 inputs and 8 outputs	17	17	3	2	No	3	2	2	No	No	
3-tier terminal block	GX-ID1612 /ID1622	-	16 inputs	17	No	3	2	2	No	No	No	No	No
	GX-OD1612 /OD1622	-	16 outputs	No	17	No	No	No	3	2	2	No	No
	GX-MD1612 /MD1622	-	8 inputs and 8 outputs	17	17	3	2	No	3	2	2	No	No
e-CON Connectors	GX-ID1618 /ID1628	-	16 inputs	17	No	3	2	2	No	No	No	No	No
	GX-OD1618 /OD1628	-	16 outputs	No	17	No	No	No	3	2	2	No	No
	GX-MD1618 /MD1628	-	8 inputs and 8 outputs	17	17	3	2	No	3	2	2	No	No
	GX-ID3218 /ID3228	-	32 inputs	33	No	5	No	2	No	No	No	No	No
	GX-OD3218 /OD3228	-	32 outputs	No	33	No	No	No	5	No	No	2	2
	GX-MD3218 /MD3228	-	16 inputs and 16 outputs	17	17	3	2	No	3	2	2	No	No

Analog Input Slave Unit

● Manufacturer Specific area 2

3100 hex	Analogue Input Available Channel Choice		
Range: 0000 hex to 000F hex	Unit: –	Default: 000F hex	Attribute: R*
Size: 2 bytes (U16)	Access: RW	PDO map: Not possible	

- Sets whether to have AD conversion for each point.

Bits	Setting description
0	1: CH1 enabled, 0: CH1 disabled
1	1: CH2 enabled, 0: CH2 disabled
2	1: CH3 enabled, 0: CH3 disabled
3	1: CH4 enabled, 0: CH4 disabled
4 to 15	Reserved *

- * Bits 4 to 15 are set to 0 and these values cannot be changed.

3101 hex	Analogue Input Range		
Sub-index 0: Number of channel			
Range: –	Unit: –	Default: 04 hex	Attribute: –
Size: 1 byte (U8)	Access: RO	PDO map: Not possible	
Sub-indexes 1 to 4: CH1-4 Input Range			
Range: 00 hex, 01 hex, 02 hex, 03 hex, 07 hex	Unit: –	Default: 01 hex	Attribute: R*
Size: 1 byte (U8)	Access: RW	PDO map: Not possible	

- Sets the input range for each point.
- The settable values are as follows. No other values can be set.

Set value	Range
00 hex	10 to +10 V
01 hex	0 to 5 V
02 hex	0 to 10 V
03 hex	4 to 20 mA
07 hex	1 to 5 V

3110 hex	Analogue Input Adjustment High Value		
Sub-index 0: Number of channel			
Range: –	Unit: –	Default: 04 hex	Attribute: –
Size: 1 byte (U8)	Access: RO	PDO map: Not possible	
Sub-indexes 1 to 4: CH1-4 Adjustment High Value			
Range: –	Unit: –	Default: 0000 hex	Attribute: –
Size: 2 bytes (INT16)	Access: RO	PDO map: Not possible	

- Stores the upper limit of user adjustment.

3112 hex	Analogue Input Adjustment High Execute		
Sub-index 0: Number of channel			
Range: –	Unit: –	Default: 04 hex	Attribute: –
Size: 1 byte (U8)	Access: RO		PDO map: Not possible
Sub-indexes 1 to 4: CH1-4 Adjustment High Execute			
Range: –	Unit: –	Default: 00000000 hex	Attribute: A
Size: 4 bytes (U32)	Access: RW		PDO map: Not possible

- This object executes user adjustment. It writes upper adjustment value.
- To adjust, enter a voltage (or current) equivalent to 100% from a connected device to the terminal of input point you want to adjust. (Set the input range in advance.)
- If you reset, it returns to the default setting.
- The value is adjusted or reset only when the specific value is written to sub-indexes 1 to 4. This prevents erroneous execution and resetting. The specific values are:
 "save" for execution, "rset" for resetting.

MSB		LSB	
e	v	a	s
65 hex	76 hex	61 hex	73 hex
t	e	s	r
74 hex	65 hex	73 hex	72 hex

Writing values other than the above is invalid.

- A value 0000 0000 hex is indicated when reading.

3113 hex	Analogue Input Adjustment Low Value		
Sub-index 0: Number of channel			
Range: –	Unit: –	Default: 04 hex	Attribute: –
Size: 1 byte (U8)	Access: RO		PDO map: Not possible
Sub-indexes 1 to 4: CH1-4 Adjustment Low Value			
Range: –	Unit: –	Default: 0000 hex	Attribute: –
Size: 2 bytes (INT16)	Access: RO		PDO map: Not possible

- Stores the lower limit of user adjustment.

3115 hex	Analogue Input Adjustment Low Execute		
Sub-index 0: Number of channel			
Range: –	Unit: –	Default: 04 hex	Attribute: –
Size: 1 byte (U8)	Access: RO	PDO map: Not possible	
Sub-indexes 1 to 4: CH1-4 Adjustment Low Execute			
Range: –	Unit: –	Default: 00000000 hex	Attribute: A
Size: 4 bytes (U32)	Access: RW	PDO map: Not possible	

- This object executes user adjustment. It writes lower adjustment value.
- To adjust, enter a voltage (or current) equivalent to 0% from a connected device to the terminal of the input point you want to adjust. (Set the input range in advance.)
- If you reset, it returns to the default setting.
- The value is adjusted or reset only when the specific value is written to sub-indexes 1 to 4. This prevents erroneous execution and resetting. The specific values are:
 "save" for execution, "rset" for resetting.

MSB		LSB	
e	v	a	s
65 hex	76 hex	61 hex	73 hex
t	e	s	r
74 hex	65 hex	73 hex	72 hex

Writing values other than the above is invalid.

- A value 0000 0000 hex is indicated when reading.

3132 hex	Analogue Input Moving Average		
Sub-index 0: Number of channel			
Range: –	Unit: –	Default: 04 hex	Attribute: –
Size: 1 byte (U8)	Access: RO	PDO map: Not possible	
Sub-indexes 1 to 4: CH1-4 Moving Average			
Range: 0000 hex to FA00 hex	Unit: μ s	Default: 0000 hex	Attribute: R*
Size: 2 bytes (U16)	Access: RW	PDO map: Not possible	

- This object sets moving average setting value of each point.

3136 hex	Analogue Input Disconnection Status		
Sub-index 0: Number of channel			
Range: –	Unit: –	Default: 01 hex	Attribute: –
Size: 1 byte (U8)	Access: RO	PDO map: Not possible	
Sub-index 1: Disconnection Status			
Range: 0000 hex to 000F hex	Unit: –	Default: 0000 hex	Attribute: –
Size: 2 bytes (INT16)	Access: RO	PDO map: Not possible	

- This object detects disconnection on each point.

Bits	State
0	1: CH1 disconnected, 0: CH1 normal
1	1: CH2 disconnected, 0: CH2 normal
2	1: CH3 disconnected, 0: CH3 normal
3	1: CH4 disconnected, 0: CH4 normal
4 to 15	Reserved

● Device Profile area

6401 hex	Read Analogue Input 16bit		
Sub-index 0: Number of channel			
Range: –	Unit: –	Default: 04 hex	Attribute: –
Size: 1 byte (U8)	Access: RO	PDO map: Not possible	
Sub-indexes 1 to 4: CH1-4 Input 16bit			
Range: *	Unit: –	Default: 0000 hex	Attribute: –
Size: 2 bytes (INT16)	Access: RO	PDO map: Possible	

* This is equal to the set input range.

- This object indicates input of each point.

Analog Output Slave Unit

● Manufacturer Specific area 2

3200 hex	Analogue Output Available Channel Choice		
Range: 0001 hex to 0003 hex	Unit: –	Default: 0003 hex	Attribute: R*
Size: 2 bytes (U16)	Access: RW	PDO map: Not possible	

- Sets whether to have DA conversion for each point.
- Do not disable all channels.

Bits	D/A conversion enabled channel
0	1: CH1 enabled, 0: CH1 disabled
1	1: CH2 enabled, 0: CH2 disabled
2 to 15	Reserved

3201 hex	Analogue Output Range		
Sub-index 0: Number of channel			
Range: –	Unit: –	Default: 02 hex	Attribute: –
Size: 1 byte (U8)	Access: RO	PDO map: Not possible	
Sub-indexes 1 to 2: CH1-2 Output Range			
Range: 00 hex, 01 hex, 03 hex, 04 hex, 06 hex	Unit: –	Default: 04 hex	Attribute: R*
Size: 1 byte (U8)	Access: RW	PDO map: Not possible	

- Sets the output range for each point.
- The settable values are as follows. No other values can be set.

Set value	Range
00 hex	4 to 20 mA
01 hex	0 to 10 V
03 hex	–10 to +10 V
04 hex	0 to 5 V
06 hex	1 to 5 V

3210 hex	Analogue Output Adjustment High Value		
Sub-index 0: Number of channel			
Range: –	Unit: –	Default: 02 hex	Attribute: –
Size: 1 byte (U8)	Access: RO		PDO map: Not possible
Sub-indexes 1 to 2: CH1-2 Adjustment High Value			
Range: –	Unit: –	Default: 0000 hex	Attribute: –
Size: 2 byte (INT16)	Access: RO		PDO map: Not possible

- Stores the upper limit of user adjustment. The user upper adjustment value is stored.

3212 hex	Analogue Output Adjustment High Execute		
Sub-index 0: Number of channel			
Range: –	Unit: –	Default: 02 hex	Attribute: –
Size: 1 byte (U8)	Access: RO		PDO map: Not possible
Sub-indexes 1 to 2: CH1-2 Adjustment High Execute			
Range: –	Unit: –	Default: 00000000 hex	Attribute: A
Size: 4 bytes (U32)	Access: RW		PDO map: Not possible

- This object executes user adjustment. It writes upper adjustment value.
- Execute the command when a count value which makes the actual output voltage 100% is written by the EtherCAT Master Unit to the data area of the point to adjust. (Adjustment at 100% is highly recommended, but a lower value is acceptable.)
- If you reset, it returns to the default setting.
- The values is adjusted or reset only when the specific value is written to sub-indexes 1 to 2. This prevents erroneous execution and resetting. The specific values are:
 "save" for execution, "rset" for resetting.

MSB		LSB	
e	v	a	s
65 hex	76 hex	61 hex	73 hex
t	e	s	r
74 hex	65 hex	73 hex	72 hex

Writing values other than the above is invalid.

- A value of 0000 0000 hex is indicated when reading.

Notes: Always adjust the lower limit first. If the lower limit is adjusted without adjusting the upper limit 100%, the lower limit adjustment may have an error.

3213 hex	Analogue Output Adjustment Low Value		
Sub-index 0: Number of channel			
Range: –	Unit: –	Default: 02 hex	Attribute: –
Size: 1 byte (U8)	Access: RO		PDO map: Not possible
Sub-indexes 1 to 2: CH1-2 Adjustment Low Value			
Range: –	Unit: –	Default: 0000 hex	Attribute: –
Size: 2 byte (INT16)	Access: RO		PDO map: Not possible

- Stores the lower limit of user adjustment.

3215 hex	Analogue Output Adjustment Low Execute		
Sub-index 0: Number of channel			
Range: –	Unit: –	Default: 02 hex	Attribute: –
Size: 1 byte (U8)	Access: RO		PDO map: Not possible
Sub-indexes 1 to 2: CH1-2 Adjustment Low Execute			
Range: –	Unit: –	Default: 00000000 hex	Attribute: A
Size: 4 bytes (U32)	Access: RW		PDO map: Not possible

- This object executes user adjustment. It writes lower adjustment value.
- Be sure to execute the command only when a count value which makes the actual output voltage 0% is written by the EtherCAT Master Unit to the data area of the point to adjust. (Always adjust at 0%.)
- If you reset, it returns to the default setting.
- The value is adjusted or reset only when the specific value is written to sub-indexes 1 to 2. This prevents erroneous execution and resetting. The specific values are:
 "save" for execution, "rset" for resetting.

MSB		LSB	
e	v	a	s
65 hex	76 hex	61 hex	73 hex
t	e	s	r
74 hex	65 hex	73 hex	72 hex

Writing values other than the above is invalid.

- A value of 0000 0000 hex is indicated when reading.

3240 hex	Analogue Output Fault Action		
Sub-index 0: Number of channel			
Range: –	Unit: –	Default: 02 hex	Attribute: –
Size: 1 byte (U8)	Access: RO		PDO map: Not possible
Sub-indexes 1 to 2: CH1-2 Error Mode			
Range: 00 hex, 01 hex, 02 hex, 03 hex, 04 hex	Unit: –	Default: 04 hex	Attribute: R*
Size: 1 byte (U8)	Access: RW		PDO map: Not possible

- Selects a value to output at a communications error for each point.

Set value	Range
00 hex	Hold Last State (Hold and output.)
01 hex	Low Limit (Output the lower limit.)
02 hex	High Limit (Output the upper limit.)
03 hex	User Count (Output a user specified value.)
04 hex	Zero Count (Output a value of 0000 hex in the setting range.)

3241 hex	Analogue Output Fault Value		
Sub-index 0: (Number of channel)			
Range: –	Unit: –	Default: 02 hex	Attribute: –
Size: 1 byte (U8)	Access: RO	PDO map: Not possible	
Sub-indexes 1 to 2: CH1-2 Error Mode			
Range: *	Unit: –	Default: 0000 hex	Attribute: R*
Size: 1 byte (INT16)	Access: RW	PDO map: Not possible	

* This is equal to the set output range.

- Sets an analog value to output at a communications error.
- The setting is enabled only when "User Count (Output a user specified value) is selected in the 3240 hex "Analogue Output Fault Action" (analog output mode at errors).

● Device Profile area

6411 hex	Write Analogue Output 16bit		
Sub-index 0: Number of channel			
Range: –	Unit: –	Default: 05 hex	Attribute: –
Size: 1 byte (U8)	Access: RO	PDO map: Not possible	
Sub-indexes 1 to 2: CH1-2 Input 16bit			
Range: *	Unit: –	Default: 0000 hex	Attribute: A
Size: 2 bytes (INT16)	Access: RW	PDO map: Possible	

* This is equal to the set output range.

- Sets the output for each point.

Encoder Input Slave Unit

● Manufacturer Specific area 2

4000 hex	Count Mode		
Sub-index 0: Number of channel			
Range: –	Unit: –	Default: 02 hex	Attribute: –
Size: 1 byte (U8)	Access: RO	PDO map: Not possible	
Sub-indexes 1 to 2: CH1-2 Count Mode			
Range: –	Unit: –	Default: 00 hex	Attribute: –
Size: 1 byte (U8)	Access: RO	PDO map: Not possible	

- It stores the Count Mode.
- The Count Mode is fixed to 00 hex (Circular Counter).

4001 hex	Encoder Direction		
Sub-index 0: Number of channel			
Range: –	Unit: –	Default: 02 hex	Attribute: –
Size: 1 byte (U8)	Access: RO	PDO map: Not possible	
Sub-indexes 1 to 2: CH1-2 Pulse Direction			
Range: 0 (false), 1 (true)	Unit: –	Default: 0 (false)	Attribute: B*
Size: 1 bit (BOOL)	Access: RW	PDO map: Not possible	

- Set the count direction.

Set value	Count direction
0 (false)	Forward direction at CW (clockwise rotation seen from the shaft of the connected encoder)
1 (true)	Forward direction at CCW (counterclockwise rotation seen from the shaft of the connected encoder)

4002 hex	Encoder Input Setting		
Sub-index 0: Number of channel			
Range: –	Unit: –	Default: 02 hex	Attribute: –
Size: 1 byte (U8)	Access: RO		PDO map: Not possible
Sub-indexes 1 to 2: CH1-2 Pulse Input Setting			
Range: 00 hex to 04 hex	Unit: –	Default: 02 hex	Attribute: B*
Size: 1 byte (U8)	Access: RW		PDO map: Not possible

- Set the input method.

Set value	Range
00 hex	Phase A/B pulse (Multiplication × 1 cycle)
01 hex	Phase A/B pulse (Multiplication × 2 cycle)
02 hex	Phase A/B pulse (Multiplication × 4 cycle)
03 hex	Code + pulse (Multiplication × 1 cycle)
04 hex	Incremental/decremental pulse

4003 hex	Max Count Setting		
Sub-index 0: Number of channel			
Range: –	Unit: –	Default: 02 hex	Attribute: –
Size: 1 byte (U8)	Access: RO		PDO map: Not possible
Sub-indexes 1 to 2: CH1-2 Max Count Setting			
Range: 00000000 hex to FFFFFFFF hex	Unit: –	Default: 00000000 hex	Attribute: B*
Size: 4 byte (U32)	Access: RW		PDO map: Not possible

- This object is used to specify the maximum value of the counter.
- It operates as FFFFFFFF hex if 0 is set.

4010 hex	Position Value		
Sub-index 0: Number of channel			
Range: –	Unit: –	Default: 02 hex	Attribute: –
Size: 1 byte (U8)	Access: RO		PDO map: Not possible
Sub-indexes 1 to 2: CH1-2 Position Value			
Range: 00000000 hex to FFFFFFFF hex	Unit: –	Default: 00000000 hex	Attribute: –
Size: 4 byte (U32)	Access: RO		PDO map: Possible

- The present counter value is stored.

4011 hex	Preset Value		
Sub-index 0: Number of channel			
Range: –	Unit: –	Default: 02 hex	Attribute: –
Size: 1 byte (U8)	Access: RO		PDO map: Not possible
Sub-indexes 1 to 2: CH1-2 Preset Value			
Range: 00000000 hex to FFFFFFFF hex	Unit: –	Default: 00000000 hex	Attribute: A
Size: 4 byte (U32)	Access: RW		PDO map: Possible

- This object is used to specify the preset command value.

4012 hex	Latch Value A		
Sub-index 0: Number of channel			
Range: –	Unit: –	Default: 02 hex	Attribute: –
Size: 1 byte (U8)	Access: RO	PDO map: Not possible	
Sub-indexes 1 to 2: CH1-2 Latch Value A			
Range: 00000000 hex to FFFFFFFF hex	Unit: –	Default: 00000000 hex	Attribute: –
Size: 4 byte (U32)	Access: RO	PDO map: Possible	

- The value of latch A is stored.

4013 hex	Latch Value B		
Sub-index 0: Number of channel			
Range: –	Unit: –	Default: 02 hex	Attribute: –
Size: 1 byte (U8)	Access: RO	PDO map: Not possible	
Sub-indexes 1 to 2: CH1-2 Latch Value B			
Range: 00000000 hex to FFFFFFFF hex	Unit: –	Default: 00000000 hex	Attribute: –
Size: 4 byte (U32)	Access: RO	PDO map: Possible	

- The value of latch B is stored.

4020 hex	Instruction Bits		
Sub-index 0: Number of channel			
Range: –	Unit: –	Default: 02 hex	Attribute: –
Size: 1 byte (U8)	Access: RO	PDO map: Not possible	
Sub-indexes 1 to 2: CH1-2 Instruction Bits			
Range: –	Unit: –	Default: 0000 hex	Attribute: A
Size: 2 byte (U16)	Access: RW	PDO map: Possible	

- The soft switch setting is specified.

4021 hex	Instruction Flag		
Sub-index 0: Number of channel			
Range: 00 hex to 32 hex	Unit: –	Default: 32 hex	Attribute: –
Size: 1 byte (U8)	Access: RO	PDO map: Not possible	
Sub-index 1: CH1 Count Possible			
Range: 00 hex to 01 hex	Unit: –	Default: 00 hex	Attribute: A
Size: 1 byte (BOOL)	Access: RW	PDO map: Possible	
Sub-index 2: CH1 Present Value Preset Execution			
Range: 00 hex to 01 hex	Unit: –	Default: 00 hex	Attribute: A
Size: 1 byte (BOOL)	Access: RW	PDO map: Possible	
Sub-index 3: CH1 Present Value Reset Execution			
Range: 00 hex to 01 hex	Unit: –	Default: 00 hex	Attribute: A
Size: 1 byte (BOOL)	Access: RW	PDO map: Possible	
Sub-index 9: CH1 Present Value Ext Reset Enabled			
Range: 00 hex to 01 hex	Unit: –	Default: 00 hex	Attribute: A
Size: 1 byte (BOOL)	Access: RW	PDO map: Possible	
Sub-index 10: CH1 Ext Latch A Enabled			
Range: 00 hex to 01 hex	Unit: –	Default: 00 hex	Attribute: A
Size: 1 byte (BOOL)	Access: RW	PDO map: Possible	
Sub-index 11: CH1 Ext Latch B Enabled			
Range: 00 hex to 01 hex	Unit: –	Default: 00 hex	Attribute: A
Size: 1 byte (BOOL)	Access: RW	PDO map: Possible	
Sub-index 13: CH1 Clear Present Value Ext Reset			
Range: 00 hex to 01 hex	Unit: –	Default: 00 hex	Attribute: A
Size: 1 byte (BOOL)	Access: RW	PDO map: Possible	
Sub-index 14: CH1 Clear Ext Latch A			
Range: 00 hex to 01 hex	Unit: –	Default: 00 hex	Attribute: A
Size: 1 byte (BOOL)	Access: RW	PDO map: Possible	

Sub-index 15: CH1 Clear Ext Latch B			
Range: 00 hex to 01 hex	Unit: –	Default: 00 hex	Attribute: A
Size: 1 byte (BOOL)	Access: RW	PDO map: Possible	
Sub-index 17: CH2 Count Possible			
Range: 00 hex to 01 hex	Unit: –	Default: 00 hex	Attribute: A
Size: 1 byte (BOOL)	Access: RW	PDO map: Possible	
Sub-index 18: CH2 Present Value Preset Execution			
Range: 00 hex to 01 hex	Unit: –	Default: 00 hex	Attribute: A
Size: 1 byte (BOOL)	Access: RW	PDO map: Possible	
Sub-index 19: CH2 Present Value Reset Execution			
Range: 00 hex to 01 hex	Unit: –	Default: 00 hex	Attribute: A
Size: 1 byte (BOOL)	Access: RW	PDO map: Possible	
Sub-index 25: CH2 Present Value Ext Reset Enabled			
Range: 00 hex to 01 hex	Unit: –	Default: 00 hex	Attribute: A
Size: 1 byte (BOOL)	Access: RW	PDO map: Possible	
Sub-index 26: CH2 Ext Latch A Enabled			
Range: 00 hex to 01 hex	Unit: –	Default: 00 hex	Attribute: A
Size: 1 byte (BOOL)	Access: RW	PDO map: Possible	
Sub-index 27: CH2 Ext Latch B Enabled			
Range: 00 hex to 01 hex	Unit: –	Default: 00 hex	Attribute: A
Size: 1 byte (BOOL)	Access: RW	PDO map: Possible	
Sub-index 29: CH2 Clear Present Value Ext Reset			
Range: 00 hex to 01 hex	Unit: –	Default: 00 hex	Attribute: A
Size: 1 byte (BOOL)	Access: RW	PDO map: Possible	
Sub-index 30: CH2 Clear Ext Latch A			
Range: 00 hex to 01 hex	Unit: –	Default: 00 hex	Attribute: A
Size: 1 byte (BOOL)	Access: RW	PDO map: Possible	
Sub-index 31: CH2 Clear Ext Latch B			
Range: 00 hex to 01 hex	Unit: –	Default: 00 hex	Attribute: A
Size: 1 byte (BOOL)	Access: RW	PDO map: Possible	

- The soft switch settings are specified.
- Unit version 1.1 or later is required to set this object.

4030 hex	Status Bits		
Sub-index 0: Number of channel			
Range: –	Unit: –	Default: 02 hex	Attribute: –
Size: 1 byte (U8)	Access: RO	PDO map: Not possible	
Sub-indexes 1 to 2: CH1-2 Status Bits			
Range: –	Unit: –	Default: 0000 hex	Attribute: –
Size: 1 byte (U8)	Access: RO	PDO map: Possible	

- Status bit is stored.

4031 hex	Status Flag		
Sub-index 0: Number of channel			
Range: 00 hex to 16 hex	Unit: –	Default: 16 hex	Attribute: –
Size: 1 byte (U8)	Access: RO	PDO map: Not possible	
Sub-index 1: CH1 Present Value Preset Execution Completed			
Range: 00 hex to 01 hex	Unit: –	Default: 00 hex	Attribute: A
Size: 1 byte (BOOL)	Access: RW	PDO map: Possible	
Sub-index 2: CH1 Present Value Reset Execution Completed			
Range: 00 hex to 01 hex	Unit: –	Default: 00 hex	Attribute: A
Size: 1 byte (BOOL)	Access: RW	PDO map: Possible	
Sub-index 3: CH1 Ext Reset Flag			
Range: 00 hex to 01 hex	Unit: –	Default: 00 hex	Attribute: A
Size: 1 byte (BOOL)	Access: RW	PDO map: Possible	
Sub-index 4: CH1 Ext Latch A Flag			
Range: 00 hex to 01 hex	Unit: –	Default: 00 hex	Attribute: A
Size: 1 byte (BOOL)	Access: RW	PDO map: Possible	
Sub-index 5: CH1 Ext Latch B Flag			
Range: 00 hex to 01 hex	Unit: –	Default: 00 hex	Attribute: A
Size: 1 byte (BOOL)	Access: RW	PDO map: Possible	
Sub-index 7: CH1 Present Value Preset Set Value Error			
Range: 00 hex to 01 hex	Unit: –	Default: 00 hex	Attribute: A
Size: 1 byte (BOOL)	Access: RW	PDO map: Possible	
Sub-index 8: CH1 Counter Operation State			
Range: 00 hex to 01 hex	Unit: –	Default: 00 hex	Attribute: A
Size: 1 byte (BOOL)	Access: RW	PDO map: Possible	
Sub-index 9: CH2 Present Value Preset Execution Completed			
Range: 00 hex to 01 hex	Unit: –	Default: 00 hex	Attribute: A
Size: 1 byte (BOOL)	Access: RW	PDO map: Possible	
Sub-index 10: CH2 Present Value Reset Execution Completed			
Range: 00 hex to 01 hex	Unit: –	Default: 00 hex	Attribute: A
Size: 1 byte (BOOL)	Access: RW	PDO map: Possible	
Sub-index 11: CH2 Ext Reset Flag			
Range: 00 hex to 01 hex	Unit: –	Default: 00 hex	Attribute: A
Size: 1 byte (BOOL)	Access: RW	PDO map: Possible	
Sub-index 12: CH2 Ext Latch A Flag			
Range: 00 hex to 01 hex	Unit: –	Default: 00 hex	Attribute: A
Size: 1 byte (BOOL)	Access: RW	PDO map: Possible	
Sub-index 13: CH2 Ext Latch B Flag			
Range: 00 hex to 01 hex	Unit: –	Default: 00 hex	Attribute: A
Size: 1 byte (BOOL)	Access: RW	PDO map: Possible	
Sub-index 15: CH2 Present Value Preset Set Value Error			
Range: 00 hex to 01 hex	Unit: –	Default: 00 hex	Attribute: A
Size: 1 byte (BOOL)	Access: RW	PDO map: Possible	
Sub-index 16: CH2 Counter Operation State			
Range: 00 hex to 01 hex	Unit: –	Default: 00 hex	Attribute: A
Size: 1 byte (BOOL)	Access: RW	PDO map: Possible	

- The status bits are stored.
- Unit version 1.1 or later is required to set this object.

IO-Link Master Unit

● Manufacturer-specific Area 2

3000 hex	I/O Port Status		
Sub-index 0: Number of entries			
Range: –	Unit: –	Default: 01 hex	Attribute: –
Size: 1 byte (U8)	Access: RO	PDO map: Not possible	
Sub-index 1: I/O Port Status			
Range: –	Unit: –	Default: 0000 hex	Attribute: –
Size: 2 bytes (U16)	Access: RO	PDO map: Not possible	

The following table shows the bit configuration of the I/O Port Status object. The status can be accessed either as WORD data or BOOL data.

Bit	Meaning	Default value	Data range	Unit	Data type	Access	I/O allocation	Data attribute
0	Port 1 Input Data Enabled Flag	FALSE	FALSE/TRUE	---	BOOL	RO	Possible	---
1	Port 2 Input Data Enabled Flag	FALSE	FALSE/TRUE	---	BOOL	RO	Possible	---
2	Port 3 Input Data Enabled Flag	FALSE	FALSE/TRUE	---	BOOL	RO	Possible	---
3	Port 4 Input Data Enabled Flag	FALSE	FALSE/TRUE	---	BOOL	RO	Possible	---
14	IO-Link Communications Module Processing Error	FALSE	FALSE/TRUE	---	BOOL	RO	Possible	---
15	I/O Power On/Off Status	FALSE	FALSE/TRUE	---	BOOL	RO	Possible	---

3001 hex	Port1_2 I/O Port Error Status		
Sub-index 0: Number of entries			
Range: –	Unit: –	Default: 01 hex	Attribute: –
Size: 1 byte (U8)	Access: RO	PDO map: Not possible	
Sub-index 1: Port1_2 I/O Port Error Status			
Range: –	Unit: –	Default: 0000 hex	Attribute: –
Size: 2 bytes (U16)	Access: RO	PDO map: Not possible	

The contents of *Error Status for Ports 1 and 2* are given below. The status can be accessed either as WORD data or BOOL data.

Bit	Meaning	Default value	Data range	Unit	Data type	Access	I/O allocation	Data attribute
0	Port 1 IO-Link Communications Error Flag	FALSE	FALSE/TRUE	---	BOOL	RO	Possible	---
1	Port 1 I/O Short Detected Flag	FALSE	FALSE/TRUE	---	BOOL	RO	Possible	---
2	Port 1 Verification Error Flag	FALSE	FALSE/TRUE	---	BOOL	RO	Possible	---
3	Port 1 Device I/O Size Error Flag	FALSE	FALSE/TRUE	---	BOOL	RO	Possible	---
4	Port 1 Device Error-level Event Flag	FALSE	FALSE/TRUE	---	BOOL	RO	Possible	---
5	Port 1 Device Warning-level Event Flag	FALSE	FALSE/TRUE	---	BOOL	RO	Possible	---
6	Port 1 PDO Mapping Error Flag	FALSE	FALSE/TRUE	---	BOOL	RO	Possible	---
8	Port 2 IO-Link Communications Error Flag	FALSE	FALSE/TRUE	---	BOOL	RO	Possible	---
9	Port 2 IO Short Detected Flag	FALSE	FALSE/TRUE	---	BOOL	RO	Possible	---
10	Port 2 Verification Error Flag	FALSE	FALSE/TRUE	---	BOOL	RO	Possible	---
11	Port 2 Device I/O Size Error Flag	FALSE	FALSE/TRUE	---	BOOL	RO	Possible	---
12	Port 2 Device Error-level Event Flag	FALSE	FALSE/TRUE	---	BOOL	RO	Possible	---
13	Port 2 Device Warning-level Event Flag	FALSE	FALSE/TRUE	---	BOOL	RO	Possible	---
14	Port 2 PDO Mapping Error Flag	FALSE	FALSE/TRUE	---	BOOL	RO	Possible	---

3002 hex	Port3_4 I/O Port Error Status		
Sub-index 0: Number of entries			
Range: –	Unit: –	Default: 01 hex	Attribute: –
Size: 1 byte (U8)	Access: RO	PDO map: Not possible	
Sub-index 1: Port3_4 I/O Port Error Status			
Range: –	Unit: –	Default: 0000 hex	Attribute: –
Size: 2 bytes (U16)	Access: RO	PDO map: Not possible	

The contents of *Error Status for Ports 3 and 4* are given below. The status can be accessed either as WORD data or BOOL data.

Bit	Meaning	Default value	Data range	Unit	Data type	Access	I/O allocation	Data attribute
0	Port 3 IO-Link Communications Error Flag	FALSE	FALSE/TRUE	---	BOOL	RO	Possible	---
1	Port 3 IO Short Detected Flag	FALSE	FALSE/TRUE	---	BOOL	RO	Possible	---
2	Port 3 Verification Error Flag	FALSE	FALSE/TRUE	---	BOOL	RO	Possible	---
3	Port 3 Device I/O Size Error Flag	FALSE	FALSE/TRUE	---	BOOL	RO	Possible	---
4	Port 3 Device Error-level Event Flag	FALSE	FALSE/TRUE	---	BOOL	RO	Possible	---
5	Port 3 Device Warning-level Event Flag	FALSE	FALSE/TRUE	---	BOOL	RO	Possible	---
6	Port 3 PDO Mapping Error Flag	FALSE	FALSE/TRUE	---	BOOL	RO	Possible	---
8	Port 4 IO-Link Communications Error Flag	FALSE	FALSE/TRUE	---	BOOL	RO	Possible	---
9	Port 4 IO Short Detected Flag	FALSE	FALSE/TRUE	---	BOOL	RO	Possible	---
10	Port 4 Verification Error Flag	FALSE	FALSE/TRUE	---	BOOL	RO	Possible	---
11	Port 4 Device I/O Size Error Flag	FALSE	FALSE/TRUE	---	BOOL	RO	Possible	---
12	Port 4 Device Error-level Event Flag	FALSE	FALSE/TRUE	---	BOOL	RO	Possible	---
13	Port 4 Device Warning-level Event Flag	FALSE	FALSE/TRUE	---	BOOL	RO	Possible	---
14	Port 4 PDO Mapping Error Flag	FALSE	FALSE/TRUE	---	BOOL	RO	Possible	---

3003 hex	Port5_6 I/O Port Error Status		
Sub-index 0: Number of entries			
Range: –	Unit: –	Default: 01 hex	Attribute: –
Size: 1 byte (U8)	Access: RO	PDO map: Not possible	
Sub-index 1: Port5_6 I/O Port Error Status			
Range: –	Unit: –	Default: 0000 hex	Attribute: –
Size: 2 bytes (U16)	Access: RO	PDO map: Not possible	

The contents of *Error Status for Ports 5 and 6* are given below. The status can be accessed either as WORD data or BOOL data.

Bit	Meaning	Default value	Data range	Unit	Data type	Access	I/O allocation	Data attribute
0	Port 5 IO-Link Communications Error Flag	FALSE	FALSE/TRUE	---	BOOL	RO	Possible	---
1	Port 5 IO Short Detected Flag	FALSE	FALSE/TRUE	---	BOOL	RO	Possible	---
2	Port 5 Verification Error Flag	FALSE	FALSE/TRUE	---	BOOL	RO	Possible	---
3	Port 5 Device I/O Size Error Flag	FALSE	FALSE/TRUE	---	BOOL	RO	Possible	---
4	Port 5 Device Error-level Event Flag	FALSE	FALSE/TRUE	---	BOOL	RO	Possible	---
5	Port 5 Device Warning-level Event Flag	FALSE	FALSE/TRUE	---	BOOL	RO	Possible	---
6	Port 5 PDO Mapping Error Flag	FALSE	FALSE/TRUE	---	BOOL	RO	Possible	---
8	Port 6 IO-Link Communications Error Flag	FALSE	FALSE/TRUE	---	BOOL	RO	Possible	---
9	Port 6 IO Short Detected Flag	FALSE	FALSE/TRUE	---	BOOL	RO	Possible	---
10	Port 6 Verification Error Flag	FALSE	FALSE/TRUE	---	BOOL	RO	Possible	---
11	Port 6 Device I/O Size Error Flag	FALSE	FALSE/TRUE	---	BOOL	RO	Possible	---
12	Port 6 Device Error-level Event Flag	FALSE	FALSE/TRUE	---	BOOL	RO	Possible	---
13	Port 6 Device Warning-level Event Flag	FALSE	FALSE/TRUE	---	BOOL	RO	Possible	---
14	Port 6 PDO Mapping Error Flag	FALSE	FALSE/TRUE	---	BOOL	RO	Possible	---

3004 hex	Port7_8 I/O Port Error Status							
Sub-index 0: Number of entries								
Range: -		Unit: -		Default: 01 hex			Attribute: -	
Size: 1 byte (U8)			Access: RO			PDO map: Not possible		
Sub-index 1: Port7_8 I/O Port Error Status								
Range: -		Unit: -		Default: 0000 hex			Attribute: -	
Size: 2 bytes (U16)			Access: RO			PDO map: Not possible		

The contents of *Error Status for Ports 7 and 8* are given below. The status can be accessed either as WORD data or BOOL data.

Bit	Meaning	Default value	Data range	Unit	Data type	Access	I/O allocation	Data attribute
0	Port 7 IO-Link Communications Error Flag	FALSE	FALSE/TRUE	---	BOOL	RO	Possible	---
1	Port 7 IO Short Detected Flag	FALSE	FALSE/TRUE	---	BOOL	RO	Possible	---
2	Port 7 Verification Error Flag	FALSE	FALSE/TRUE	---	BOOL	RO	Possible	---
3	Port 7 Device I/O Size Error Flag	FALSE	FALSE/TRUE	---	BOOL	RO	Possible	---
4	Port 7 Device Error-level Event Flag	FALSE	FALSE/TRUE	---	BOOL	RO	Possible	---
5	Port 7 Device Warning-level Event Flag	FALSE	FALSE/TRUE	---	BOOL	RO	Possible	---
6	Port 7 PDO Mapping Error Flag	FALSE	FALSE/TRUE	---	BOOL	RO	Possible	---
8	Port 8 IO-Link Communications Error Flag	FALSE	FALSE/TRUE	---	BOOL	RO	Possible	---
9	Port 8 IO Short Detected Flag	FALSE	FALSE/TRUE	---	BOOL	RO	Possible	---
10	Port 8 Verification Error Flag	FALSE	FALSE/TRUE	---	BOOL	RO	Possible	---
11	Port 8 Device I/O Size Error Flag	FALSE	FALSE/TRUE	---	BOOL	RO	Possible	---
12	Port 8 Device Error-level Event Flag	FALSE	FALSE/TRUE	---	BOOL	RO	Possible	---
13	Port 8 Device Warning-level Event Flag	FALSE	FALSE/TRUE	---	BOOL	RO	Possible	---
14	Port 8 PDO Mapping Error Flag	FALSE	FALSE/TRUE	---	BOOL	RO	Possible	---

3005 hex	Digital Input Data		
Sub-index 0: Number of entries			
Range: –	Unit: –	Default: 01 hex	Attribute: –
Size: 1 byte (U8)	Access: RO	PDO map: Not possible	
Sub-index 1: Digital Input Data			
Range: –	Unit: –	Default: 0000 hex	Attribute: –
Size: 2 bytes (U16)	Access: RO	PDO map: Not possible	

The following table shows the bit configuration of the Digital Input Data object. The status can be accessed either as WORD data or BOOL data.

Bit	Meaning	Default value	Data range	Unit	Data type	Access	I/O allocation	Data attribute
1	Port 1 Digital Input Bit	FALSE	FALSE/TRUE	---	BOOL	RO	Possible	---
2	Port 2 Digital Input Bit	FALSE	FALSE/TRUE	---	BOOL	RO	Possible	---
3	Port 3 Digital Input Bit	FALSE	FALSE/TRUE	---	BOOL	RO	Possible	---
4	Port 4 Digital Input Bit	FALSE	FALSE/TRUE	---	BOOL	RO	Possible	---

3100 hex	Digital Output Data		
Sub-index 0: Number of entries			
Range: –	Unit: –	Default: 01 hex	Attribute: –
Size: 1 byte (U8)	Access: RO	PDO map: Not possible	
Sub-index 1: Digital Output Data			
Range: –	Unit: –	Default: 0000 hex	Attribute: A
Size: 2 bytes (U16)	Access: RW	PDO map: Possible	

The following table shows the bit configuration of the Digital Output Data object. The status can be accessed either as WORD data or BOOL data.

Bit	Meaning	Default value	Data range	Unit	Data type	Access	I/O allocation	Data attribute
1	Port 1 Digital Output Bit	FALSE	FALSE/TRUE	---	BOOL	RO	Possible	---
2	Port 2 Digital Output Bit	FALSE	FALSE/TRUE	---	BOOL	RO	Possible	---
3	Port 3 Digital Output Bit	FALSE	FALSE/TRUE	---	BOOL	RO	Possible	---
4	Port 4 Digital Output Bit	FALSE	FALSE/TRUE	---	BOOL	RO	Possible	---

3201 hex	IO-Link Device Verification Setting		
Sub-index 0: Number of entries			
Range: –	Unit: –	Default: 08 hex	Attribute: –
Size: 1 byte (U8)	Access: RO		PDO map: Not possible
Sub-index 1: Port1 Device Verification Setting			
Range: 00 to 02 hex	Unit: –	Default: 00 hex	Attribute: R
Size: 1 byte (U8)	Access: RW		PDO map: Not possible
Sub-index 2: Port2 Device Verification Setting			
Range: 00 to 02 hex	Unit: –	Default: 00 hex	Attribute: R
Size: 1 byte (U8)	Access: RW		PDO map: Not possible
Sub-index 3: Port3 Device Verification Setting			
Range: 00 to 02 hex	Unit: –	Default: 00 hex	Attribute: R
Size: 1 byte (U8)	Access: RW		PDO map: Not possible
Sub-index 4: Port4 Device Verification Setting			
Range: 00 to 02 hex	Unit: –	Default: 00 hex	Attribute: R
Size: 1 byte (U8)	Access: RW		PDO map: Not possible
Sub-index 5: Port5 Device Verification Setting			
Range: 00 to 02 hex	Unit: –	Default: 00 hex	Attribute: R
Size: 1 byte (U8)	Access: RW		PDO map: Not possible
Sub-index 6: Port6 Device Verification Setting			
Range: 00 to 02 hex	Unit: –	Default: 00 hex	Attribute: R
Size: 1 byte (U8)	Access: RW		PDO map: Not possible
Sub-index 7: Port7 Device Verification Setting			
Range: 00 to 02 hex	Unit: –	Default: 00 hex	Attribute: R
Size: 1 byte (U8)	Access: RW		PDO map: Not possible
Sub-index 8: Port8 Device Verification Setting			
Range: 00 to 02 hex	Unit: –	Default: 00 hex	Attribute: R
Size: 1 byte (U8)	Access: RW		PDO map: Not possible

The meanings of the set values for the Device Verification Settings are as follows:

Set value	Meaning
00 hex	Do not check.
01 hex	Devices are verified for the vendor ID, device ID, and IO-Link revision.
02 hex	Devices are verified for the vendor ID, device ID, IO-Link revision, and serial number.

3202 hex	Backup Setting		
Sub-index 0: Number of entries			
Range: –	Unit: –	Default: 08 hex	Attribute: –
Size: 1 byte (U8)	Access: RO	PDO map: Not possible	
Sub-index 1: Port1 Backup Setting			
Range: 00 hex or 01 hex	Unit: –	Default: 00 hex	Attribute: R
Size: 1 byte (U8)	Access: RW	PDO map: Not possible	
Sub-index 2: Port2 Backup Setting			
Range: 00 hex or 01 hex	Unit: –	Default: 00 hex	Attribute: R
Size: 1 byte (U8)	Access: RW	PDO map: Not possible	
Sub-index 3: Port3 Backup Setting			
Range: 00 hex or 01 hex	Unit: –	Default: 00 hex	Attribute: R
Size: 1 byte (U8)	Access: RW	PDO map: Not possible	
Sub-index 4: Port4 Backup Setting			
Range: 00 hex or 01 hex	Unit: –	Default: 00 hex	Attribute: R
Size: 1 byte (U8)	Access: RW	PDO map: Not possible	
Sub-index 5: Port5 Backup Setting			
Range: 00 hex or 01 hex	Unit: –	Default: 00 hex	Attribute: R
Size: 1 byte (U8)	Access: RW	PDO map: Not possible	
Sub-index 6: Port6 Backup Setting			
Range: 00 hex or 01 hex	Unit: –	Default: 00 hex	Attribute: R
Size: 1 byte (U8)	Access: RW	PDO map: Not possible	
Sub-index 7: Port7 Backup Setting			
Range: 00 hex or 01 hex	Unit: –	Default: 00 hex	Attribute: R
Size: 1 byte (U8)	Access: RW	PDO map: Not possible	
Sub-index 8: Port8 Backup Setting			
Range: 00 hex or 01 hex	Unit: –	Default: 00 hex	Attribute: R
Size: 1 byte (U8)	Access: RW	PDO map: Not possible	

The meanings of the set values for the Backup Settings are as follows:

Set value	Meaning
00 hex	The backup functions are disabled.
01 hex	The backup functions are enabled.

3203 hex	Restore Setting		
Sub-index 0: Number of entries			
Range: –	Unit: –	Default: 08 hex	Attribute: –
Size: 1 byte (U8)	Access: RO	PDO map: Not possible	
Sub-index 1: Port1 Restore Setting			
Range: 00 hex or 01 hex	Unit: –	Default: 00 hex	Attribute: R
Size: 1 byte (U8)	Access: RW	PDO map: Not possible	
Sub-index 2: Port2 Restore Setting			
Range: 00 hex or 01 hex	Unit: –	Default: 00 hex	Attribute: R
Size: 1 byte (U8)	Access: RW	PDO map: Not possible	
Sub-index 3: Port3 Restore Setting			
Range: 00 hex or 01 hex	Unit: –	Default: 00 hex	Attribute: R
Size: 1 byte (U8)	Access: RW	PDO map: Not possible	
Sub-index 4: Port5 Restore Setting			
Range: 00 hex or 01 hex	Unit: –	Default: 00 hex	Attribute: R
Size: 1 byte (U8)	Access: RW	PDO map: Not possible	
Sub-index 5: Port5 Restore Setting			
Range: 00 hex or 01 hex	Unit: –	Default: 00 hex	Attribute: R
Size: 1 byte (U8)	Access: RW	PDO map: Not possible	
Sub-index 6: Port6 Restore Setting			
Range: 00 hex or 01 hex	Unit: –	Default: 00 hex	Attribute: R
Size: 1 byte (U8)	Access: RW	PDO map: Not possible	
Sub-index 7: Port7 Restore Setting			
Range: 00 hex or 01 hex	Unit: –	Default: 00 hex	Attribute: R
Size: 1 byte (U8)	Access: RW	PDO map: Not possible	
Sub-index 8: Port8 Restore Setting			
Range: 00 hex or 01 hex	Unit: –	Default: 00 hex	Attribute: R
Size: 1 byte (U8)	Access: RW	PDO map: Not possible	

The meanings of the set values for the Restoration Settings are as follows:

Set value	Meaning
00 hex	Restoration is disabled.
01 hex	Restoration is enabled.

3204 hex	Load Rejection Output Setting		
Sub-index 0: Number of entries			
Range: –	Unit: –	Default: 08 hex	Attribute: –
Size: 1 byte (U8)	Access: RO	PDO map: Not possible	
Sub-index 1: Port1 Load Rejection Output Setting			
Range: 00 hex or 01 hex	Unit: –	Default: 00 hex	Attribute: R
Size: 1 byte (U8)	Access: RW	PDO map: Not possible	
Sub-index 2: Port2 Load Rejection Output Setting			
Range: 00 hex or 01 hex	Unit: –	Default: 00 hex	Attribute: R
Size: 1 byte (U8)	Access: RW	PDO map: Not possible	
Sub-index 3: Port3 Load Rejection Output Setting			
Range: 00 hex or 01 hex	Unit: –	Default: 00 hex	Attribute: R
Size: 1 byte (U8)	Access: RW	PDO map: Not possible	
Sub-index 4: Port4 Load Rejection Output Setting			
Range: 00 hex or 01 hex	Unit: –	Default: 00 hex	Attribute: R
Size: 1 byte (U8)	Access: RW	PDO map: Not possible	
Sub-index 5: Port5 Load Rejection Output Setting			
Range: 00 hex or 01 hex	Unit: –	Default: 00 hex	Attribute: R
Size: 1 byte (U8)	Access: RW	PDO map: Not possible	
Sub-index 6: Port6 Load Rejection Output Setting			
Range: 00 hex or 01 hex	Unit: –	Default: 00 hex	Attribute: R
Size: 1 byte (U8)	Access: RW	PDO map: Not possible	
Sub-index 7: Port7 Load Rejection Output Setting			
Range: 00 hex or 01 hex	Unit: –	Default: 00 hex	Attribute: R
Size: 1 byte (U8)	Access: RW	PDO map: Not possible	
Sub-index 8: Port8 Load Rejection Output Setting			
Range: 00 hex or 01 hex	Unit: –	Default: 00 hex	Attribute: R
Size: 1 byte (U8)	Access: RW	PDO map: Not possible	

The Load Rejection Output Settings are used to set the load rejection outputs to use when controller communications errors occur. The meanings of the set values are as follows::

Set value	Meaning
00 hex	IO-Link Mode Enabled: Output rejection notification is sent to the IO-Link device. SIO (DO) Mode Enabled: The output value is cleared to OFF.
01 hex	Backup failed.

3205 hex	Input Filter Setting		
Sub-index 0: Number of entries			
Range: –	Unit: –	Default: 08 hex	Attribute: –
Size: 1 byte (U8)	Access: RO	PDO map: Not possible	
Sub-index 1: Port1 Input Filter Value Setting			
Range: 00 to 0B hex	Unit: –	Default: 00 hex	Attribute: R
Size: 1 byte (U8)	Access: RW	PDO map: Not possible	
Sub-index 2: Port2 Input Filter Value Setting			
Range: 00 to 0B hex	Unit: –	Default: 00 hex	Attribute: R
Size: 1 byte (U8)	Access: RW	PDO map: Not possible	
Sub-index 3: Port3 Input Filter Value Setting			
Range: 00 to 0B hex	Unit: –	Default: 00 hex	Attribute: R
Size: 1 byte (U8)	Access: RW	PDO map: Not possible	
Sub-index 4: Port4 Input Filter Value Setting			
Range: 00 to 0B hex	Unit: –	Default: 00 hex	Attribute: R
Size: 1 byte (U8)	Access: RW	PDO map: Not possible	
Sub-index 5: Port5 Input Filter Value Setting			
Range: 00 to 0B hex	Unit: –	Default: 00 hex	Attribute: R
Size: 1 byte (U8)	Access: RW	PDO map: Not possible	
Sub-index 6: Port6 Input Filter Value Setting			
Range: 00 to 0B hex	Unit: –	Default: 00 hex	Attribute: R
Size: 1 byte (U8)	Access: RW	PDO map: Not possible	
Sub-index 7: Port7 Input Filter Value Setting			
Range: 00 to 0B hex	Unit: –	Default: 00 hex	Attribute: R
Size: 1 byte (U8)	Access: RW	PDO map: Not possible	
Sub-index 8: Port8 Input Filter Value Setting			
Range: 00 to 0B hex	Unit: –	Default: 00 hex	Attribute: R
Size: 1 byte (U8)	Access: RW	PDO map: Not possible	

Set the filter times for the digital input signals in the Input Filter Settings object.

The meanings of the set values are as follows:

Set value	Meaning
00 hex	No filter
01 hex	0.25 ms
02 hex	0.5 ms
03 hex	1 ms (default)
04 hex	2 ms
05 hex	4 ms
06 hex	8 ms
07 hex	16 ms
08 hex	32 ms
09 hex	64 ms
0A hex	128 ms
0B hex	256 ms

3209 hex	Backup Data Clear Trigger		
Sub-index 0: Number of entries			
Range: –	Unit: –	Default: 02 hex	Attribute: –
Size: 1 byte (U8)	Access: RO	PDO map: Not possible	
Sub-index 1: Command*1			
Range: 00 hex or 01 hex	Unit: –	Default: 00 hex	Attribute: A
Size: 1 byte (U8)	Access: RW	PDO map: Not possible	
Sub-index 2: Result*2			
Range: 0000 to FFFF hex	Unit: –	Default: 0000 hex	Attribute: –
Size: 2 bytes (U16)	Access: RO	PDO map: Not possible	

- *1 *Command* is used to clear the IO-Link device backup data that is stored in the IO-Link Master Unit.
The meanings of the set values are as follows:

Set value	Meaning
01 hex	Clears the IO-Link backup data.
00 hex	Does not clear the IO-Link backup data.

- *2 *Result* is used to display the cleared status of the IO-Link device backup data that is stored in the IO-Link Master Unit.
The meanings of the values are as follows:

Set value	Meaning
0000 hex	Backup completed or not executed.
0001 hex	Backup failed.
FFFF hex	Execution is in progress.

320A hex	Message timeout for IO-Link device		
Sub-index 0: Number of entries			
Range: –	Unit: –	Default: 02 hex	Attribute: –
Size: 1 byte (U8)	Access: RO	PDO map: Not possible	
Sub-index 1: Session Timeout			
Range: 00 to FF hex	Unit: –	Default: 03 hex	Attribute: A
Size: 1 byte (U8)	Access: RW	PDO map: Not possible	
320B hex *1	Digital Input Collection Setting		
Sub-index 0: Number of entries			
Range: –	Unit: –	Default: 08 hex	Attribute: –
Size: 1 byte (U8)	Access: RO	PDO map: Not possible	
Sub-index 1: Port 1 Digital Input Collection Setting			
Range: 00 to 01 hex	Unit: –	Default: 00 hex	Attribute: R
Size: 1 byte (U8)	Access: RW	PDO map: Not possible	
Sub-index 2: Port 2 Digital Input Collection Setting			
Range: 00 to 01 hex	Unit: –	Default: 00 hex	Attribute: R
Size: 1 byte (U8)	Access: RW	PDO map: Not possible	
Sub-index 3: Port 3 Digital Input Collection Setting			
Range: 00 to 01 hex	Unit: –	Default: 00 hex	Attribute: R
Size: 1 byte (U8)	Access: RW	PDO map: Not possible	
Sub-index 4: Port 4 Digital Input Collection Setting			
Range: 00 to 01 hex	Unit: –	Default: 00 hex	Attribute: R
Size: 1 byte (U8)	Access: RW	PDO map: Not possible	
Sub-index 5: Port 5 Digital Input Collection Setting			
Range: 00 to 01 hex	Unit: –	Default: 00 hex	Attribute: R
Size: 1 byte (U8)	Access: RW	PDO map: Not possible	
Sub-index 6: Port 6 Digital Input Collection Setting			
Range: 00 to 01 hex	Unit: –	Default: 00 hex	Attribute: R
Size: 1 byte (U8)	Access: RW	PDO map: Not possible	
Sub-index 7: Port 7 Digital Input Collection Setting			
Range: 00 to 01 hex	Unit: –	Default: 00 hex	Attribute: R
Size: 1 byte (U8)	Access: RW	PDO map: Not possible	
Sub-index 8: Port 8 Digital Input Collection Setting			
Range: 00 to 01 hex	Unit: –	Default: 00 hex	Attribute: R
Size: 1 byte (U8)	Access: RW	PDO map: Not possible	

*1 Supported by the unit version 1.1 or later.
 The meanings of the set values are as follows:

Set value	Meaning
00 hex	<ul style="list-style-type: none"> IO-Link Mode Disables the digital input collection. SIO (DI) Mode or SIO (DO) Mode You cannot use the digital input collection in SIO (DI) Mode or SIO (DO) Mode. The setting value is ignored.
01 hex	<ul style="list-style-type: none"> IO-Link Mode Enables the digital input collection. SIO (DI) Mode or SIO (DO) Mode You cannot use the digital input collection in SIO (DI) Mode or SIO (DO) Mode. The setting value is ignored.

320C hex ^{*1}	Off set Setting of Digital Input Collection		
Sub-index 0: Number of entries			
Range: –	Unit: –	Default: 08 hex	Attribute: –
Size: 1 byte (U8)	Access: RO	PDO map: Not possible	
Sub-index 1: Offset Setting of Port 1 Digital Input Collection			
Range: 00 to FF hex	Unit: –	Default: 00 hex	Attribute: R
Size: 1 byte (U8)	Access: RW	PDO map: Not possible	
Sub-index 2: Offset Setting of Port 2 Digital Input Collection			
Range: 00 to FF hex	Unit: –	Default: 00 hex	Attribute: R
Size: 1 byte (U8)	Access: RW	PDO map: Not possible	
Sub-index 3: Offset Setting of Port 3 Digital Input Collection			
Range: 00 to FF hex	Unit: –	Default: 00 hex	Attribute: R
Size: 1 byte (U8)	Access: RW	PDO map: Not possible	
Sub-index 4: Offset Setting of Port 4 Digital Input Collection			
Range: 00 to FF hex	Unit: –	Default: 00 hex	Attribute: R
Size: 1 byte (U8)	Access: RW	PDO map: Not possible	
Sub-index 5: Offset Setting of Port 5 Digital Input Collection			
Range: 00 to FF hex	Unit: –	Default: 00 hex	Attribute: R
Size: 1 byte (U8)	Access: RW	PDO map: Not possible	
Sub-index 6: Offset Setting of Port 6 Digital Input Collection			
Range: 00 to FF hex	Unit: –	Default: 00 hex	Attribute: R
Size: 1 byte (U8)	Access: RW	PDO map: Not possible	
Sub-index 7: Offset Setting of Port 7 Digital Input Collection			
Range: 00 to FF hex	Unit: –	Default: 00 hex	Attribute: R
Size: 1 byte (U8)	Access: RW	PDO map: Not possible	
Sub-index 8: Offset Setting of Port 8 Digital Input Collection			
Range: 00 to FF hex	Unit: –	Default: 00 hex	Attribute: R
Size: 1 byte (U8)	Access: RW	PDO map: Not possible	

*1 Supported by the unit version 1.1 or later.
 If the digital input collection setting is enabled, the offset setting of digital input collection allows you to specify the offset of the input data to be mirrored.

If the offset value that exceeds the input data size is set, the bit data collected in the digital input data is always 0.

Example 1: If the input data size is 2 bytes, the set range is enabled from 00 to 0F hex. If the set range is 10 to FF hex, the bit data collected in the digital input data is always 0.

Example 2: If the input data size is 16 bytes, the set range is enabled from 00 to 7F hex. If the set range is 80 to FF hex, the bit data collected in the digital input data is always 0.

4000 hex	Port1 Message for IO-Link device		
Sub-index 0: Number of entries			
Range: –	Unit: –	Default: 11 hex	Attribute: –
Size: 1 byte (U8)	Access: RO	PDO map: Not possible	
Sub-index 1: Control			
Range: 00 hex, 02 hex or 03 hex	Unit: –	Default: 00 hex	Attribute: R
Size: 1 byte (U8)	Access: RW	PDO map: Not possible	
Sub-index 2: Status			
Range: 00 to 05 hex	Unit: –	Default: 00 hex	Attribute: –
Size: 1 byte (U8)	Access: RO	PDO map: Not possible	
Sub-index 3: Index			
Range: 0000 to FFFF hex	Unit: –	Default: 0000 hex	Attribute: R
Size: 2 bytes (U16)	Access: RW	PDO map: Not possible	
Sub-index 4: Subindex			
Range: 00 to FF hex	Unit: –	Default: 00 hex	Attribute: R
Size: 1 byte (U8)	Access: RW	PDO map: Not possible	
Sub-index 5: Length			
Range: 00 to FF hex	Unit: –	Default: 00 hex	Attribute: R
Size: 1 byte (U8)	Access: RW	PDO map: Not possible	
Sub-index 6: Data			
Range: 0 to (all 232 bytes = 0xFF)	Unit: –	Default: 0	Attribute: R
Size: 232 bytes (ARRAY[0..231] OF BYTE)	Access: RW	PDO map: Not possible	
Sub-index 7: Errorcode			
Range: 0000 to FFFF hex	Unit: –	Default: 00 hex	Attribute: –
Size: 2 bytes (U16)	Access: RO	PDO map: Not possible	
Sub-index 10: Timeout			
Range: 0000 to FFFF hex	Unit: –	Default: 00 hex	Attribute: R
Size: 2 bytes (U16)	Access: RW	PDO map: Not possible	
Sub-index 11: Sequence No			
Range: 00 to FF hex	Unit: –	Default: 00 hex	Attribute: R
Size: 1 byte (U8)	Access: RW	PDO map: Not possible	
... *1			

4070 hex		Port8 Message for IO-Link device	
Sub-index 0: Number of entries			
Range: –	Unit: –	Default: 11 hex	Attribute: –
Size: 1 byte (U8)	Access: RO	PDO map: Not possible	
Sub-index 1: Control			
Range: 00 to 03 hex	Unit: –	Default: 00 hex	Attribute: R
Size: 1 byte (U8)	Access: RW	PDO map: Not possible	
Sub-index 2: Status			
Range: 00 to 05 hex	Unit: –	Default: 00 hex	Attribute: –
Size: 1 byte (U8)	Access: RO	PDO map: Not possible	
Sub-index 3: Index			
Range: 0000 to FFFF hex	Unit: –	Default: 0000 hex	Attribute: R
Size: 2 bytes (U16)	Access: RW	PDO map: Not possible	
Sub-index 4: Subindex			
Range: 00 to FF hex	Unit: –	Default: 00 hex	Attribute: R
Size: 1 byte (U8)	Access: RW	PDO map: Not possible	
Sub-index 5: Length			
Range: 00 to FF hex	Unit: –	Default: 00 hex	Attribute: R
Size: 1 byte (U8)	Access: RW	PDO map: Not possible	
Sub-index 6: Data			
Range: 0 to (all 232 bytes = 0xFF)	Unit: –	Default: 0	Attribute: R
Size: 232 bytes (ARRAY[0..231] OF BYTE)	Access: RW	PDO map: Not possible	
Sub-index 7: Errorcode			
Range: 0000 to FFFF hex	Unit: –	Default: 00 hex	Attribute: –
Size: 2 bytes (U16)	Access: RO	PDO map: Not possible	
Sub-index 10: Timeout			
Range: 0000 to FFFF hex	Unit: –	Default: 00 hex	Attribute: R
Size: 2 bytes (U16)	Access: RW	PDO map: Not possible	
Sub-index 11: Sequence No			
Range: 00 to FF hex	Unit: –	Default: 00 hex	Attribute: R
Size: 1 byte (U8)	Access: RW	PDO map: Not possible	

*1 Indexes 4010 hex, 4020 hex, 4030 hex, 4040 hex, 4050 hex, and 4060 hex are intentionally omitted from this table. Port numbers in each object name are assigned in order from port 2 to port 7, in ascending order. The data definitions, except for the object names, are the same as those for indexes 4000 hex and 4070 hex.

6000 hex	Port1 Input Data		
Sub-index 0: Number of entries			
Range: –	Unit: –	Default: 10 hex	Attribute: –
Size: 1 byte (U8)	Access: RO	PDO map: Not possible	
Sub-index 1: Port1 Input Data01			
Range: 0000 to FFFF hex	Unit: –	Default: 0000 hex	Attribute: –
Size: 2 bytes (ARRAY[0..1] OF BYTE)	Access: RO	PDO map: Possible	
... *1			
Sub-index 16: Port1 Input Data16			
Range: 0000 to FFFF hex	Unit: –	Default: 0000 hex	Attribute: –
Size: 2 bytes (ARRAY[0..1] OF BYTE)	Access: RO	PDO map: Possible	
... *2			
6070 hex	Port8 Input Data		
Sub-index 0: Number of entries			
Range: –	Unit: –	Default: 10 hex	Attribute: –
Size: 1 byte (U8)	Access: RO	PDO map: Not possible	
Sub-index 1: Port8 Input Data01			
Range: 0000 to FFFF hex	Unit: –	Default: 0000 hex	Attribute: –
Size: 2 bytes (ARRAY[0..1] OF BYTE)	Access: RO	PDO map: Possible	
... *1			
Sub-index 16: Port8 Input Data16			
Range: 0000 to FFFF hex	Unit: –	Default: 0000 hex	Attribute: –
Size: 2 bytes (ARRAY[0..1] OF BYTE)	Access: RO	PDO map: Possible	

*1 Subindexes 1 to 15 are intentionally omitted from this table. The input data number in each subindex name are assigned in order from 02 to 15, in ascending order. The data definitions, except for the input data numbers, are the same as those for subindexes 1 and 16.

*2 Indexes 6010 hex, 6020 hex, 6030 hex, 6040 hex, 6050 hex, and 6060 hex are intentionally omitted from this table. Port numbers in each object name of the indexes 6010 hex to 6060 hex are assigned in order from port 2 to port 7, in ascending order. The data definitions, except for the object names, are the same as those for indexes 6000 hex and 6070 hex.

7000 hex	Port1 Output Data		
Sub-index 0: Number of entries			
Range: –	Unit: –	Default: 10 hex	Attribute: –
Size: 1 byte (U8)	Access: RO	PDO map: Not possible	
Sub-index 1: Port1 Output Data01			
Range: 0000 to FFFF hex	Unit: –	Default: 0000 hex	Attribute: –
Size: 2 bytes (ARRAY[0..1] OF BYTE)	Access: RW	PDO map: Possible	
... *1			
Sub-index 16: Port1 Output Data16			
Range: 0000 to FFFF hex	Unit: –	Default: 0000 hex	Attribute: –
Size: 2 bytes (ARRAY[0..1] OF BYTE)	Access: RW	PDO map: Possible	
... *2			
7070 hex	Port8 Output Data		
Sub-index 0: Number of entries			
Range: –	Unit: –	Default: 10 hex	Attribute: –
Size: 1 byte (ARRAY[0..1] OF BYTE)	Access: RO	PDO map: Not possible	
Sub-index 1: Port8 Output Data01			
Range: 0000 to FFFF hex	Unit: –	Default: 0000 hex	Attribute: –
Size: 2 bytes (ARRAY[0..1] OF BYTE)	Access: RW	PDO map: Possible	
... *1			
Sub-index 16: Port8 Output Data16			
Range: 0000 to FFFF hex	Unit: –	Default: 0000 hex	Attribute: –
Size: 2 bytes (ARRAY[0..1] OF BYTE)	Access: RW	PDO map: Possible	

*1 Subindexes 1 to 15 are intentionally omitted from this table. The input data number in each subindex name are assigned in order from 02 to 15, in ascending order. The data definitions, except for the output data numbers, are the same as those for subindexes 1 and 16.

*2 Indexes 7010 hex, 7020 hex, 7030 hex, 7040 hex, 7050 hex, and 7060 hex are intentionally omitted from this table. Port numbers in each object name of the indexes 7010 hex to 7060 hex are assigned in order from port 2 to port 7, in ascending order. The data definitions, except for the object names, are the same as those for indexes 7000 hex and 7070 hex.

8000 hex	Port1 IO-Link Device Configuration Data		
Sub-index 0: Number of entries			
Range: –	Unit: –	Default: 28 hex	Attribute: –
Size: 1 byte (U8)	Access: RO	PDO map: Not possible	
Sub-index 4: Device ID			
Range: 00000000 to 00FFFFFF hex	Unit: –	Default: 00000000 hex	Attribute: R
Size: 4 bytes (U32)	Access: RW	PDO map: Not possible	
Sub-index 5: Vendor ID			
Range: 00000000 to 0000FFFF hex	Unit: –	Default: 00000000 hex	Attribute: R
Size: 4 bytes (U32)	Access: RW	PDO map: Not possible	
Sub-index 20: IO-Link Revision			
Range: 00 to FF hex	Unit: –	Default: 00 hex	Attribute: R
Size: 1 byte (U8)	Access: RW	PDO map: Not possible	
Sub-index 24: Process Data In Length			
Range: 00 to 20 hex	Unit: –	Default: 02 hex	Attribute: R
Size: 1 byte (U8)	Access: RW	PDO map: Not possible	
Sub-index 25: Process Data Out Length			
Range: 00 to 20 hex	Unit: –	Default: 02 hex	Attribute: R
Size: 1 byte (U8)	Access: RW	PDO map: Not possible	
Sub-index 28: Master Control			
Note: Set the communications mode.			
Range: 00 to 03 hex	Unit: –	Default: 03 hex *2	Attribute: R
Size: 1 byte (U8)	Access: RW	PDO map: Not possible	
... *1			

8070 hex	Port8 IO-Link Device Configuration Data		
Sub-index 0: Number of entries			
Range: –	Unit: –	Default: 28 hex	Attribute: –
Size: 1 byte (U8)	Access: RO	PDO map: Not possible	
Sub-index 4: Device ID			
Range: 00000000 to 00FFFFFF hex	Unit: –	Default: 00000000 hex	Attribute: R
Size: 4 bytes (U32)	Access: RW	PDO map: Not possible	
Sub-index 5: Vendor ID			
Range: 00000000 to 0000FFFF hex	Unit: –	Default: 00000000 hex	Attribute: R
Size: 4 bytes (U32)	Access: RW	PDO map: Not possible	
Sub-index 20: IO-Link Revision			
Range: 00 to FF hex	Unit: –	Default: 00 hex	Attribute: R
Size: 1 byte (U8)	Access: RW	PDO map: Not possible	
Sub-index 24: Process Data In Length			
Range: 00 to 20 hex	Unit: –	Default: 02 hex	Attribute: R
Size: 1 byte (U8)	Access: RW	PDO map: Not possible	
Sub-index 25: Process Data Out Length			
Range: 00 to 20 hex	Unit: –	Default: 02 hex	Attribute: R
Size: 1 byte (U8)	Access: RW	PDO map: Not possible	
Sub-index 28: Master Control			
Note: Set the communications mode.			
Range: 00 to 03 hex	Unit: –	Default: 03 hex *2	Attribute: R
Size: 1 byte (U8)	Access: RW	PDO map: Not possible	

*1 Indexes 8010 hex, 8020 hex, 8030 hex, 8040 hex, 8050 hex, and 8060 hex are intentionally omitted from this table. Port numbers in each object name of the indexes 8010 hex to 8060 hex are assigned in order from port 2 to port 7, in ascending order. The data definitions, except for the object names, are the same as those for indexes 8000 hex and 8070 hex.

*2 The communications mode for each port is set in Master Control Communications Mode Settings. The meanings of the set values are as follows:

Set value	Meaning
00 hex	Disable Port
01 hex	SIO (DI) Mode
02 hex	SIO (DO) Mode
03 hex	IO-Link Mode (default)

8001 hex	Port1 Serial Number Configuration Data		
Range: -	Unit: -	Default: -	Attribute: R
Size: 16 bytes (VS)	Access: RW		PDO map: Not possible

... *1

8071 hex	Port8 Serial Number Configuration Data		
Range: -	Unit: -	Default: -	Attribute: R
Size: 16 bytes (VS)	Access: RW		PDO map: Not possible

*1 Indexes 8011 hex, 8021 hex, 8031 hex, 8041 hex, 8051 hex, and 8061 hex are intentionally omitted from this table. Port numbers in each object name of the indexes 8011 hex to 8061 hex are assigned in order from port 2 to port 7, in ascending order. The data definitions, except for the object names, are the same as those for indexes 8001 hex and 8071 hex.

8002 hex *1	Port1 Vendor Name of the Last Connected IO-Link Device		
Range: -	Unit: -	Default: -	Attribute: -
Size: 64 bytes (VS)	Access: RW		PDO map: Not possible

... *2

8072 hex *1	Port8 Vendor Name of the Last Connected IO-Link Device		
Range: -	Unit: -	Default: -	Attribute: -
Size: 16 bytes (VS)	Access: RW		PDO map: Not possible

*1 Supported by the unit version 1.1 or later.
 *2 Indexes 8012 hex, 8022 hex, 8032 hex, 8042 hex, 8052 hex, and 8062 hex are intentionally omitted from this table. Port numbers in each object name of the indexes 8012 hex to 8062 hex are assigned in order from port 2 to port 7, in ascending order. The data definitions, except for the object names, are the same as those for indexes 8002 hex and 8072 hex.

8003 hex *1	Port1 Product Name of the Last Connected IO-Link Device		
Range: -	Unit: -	Default: -	Attribute: -
Size: 64 bytes (VS)	Access: RW		PDO map: Not possible

... *2

8073 hex *1	Port8 Product Name of the Last Connected IO-Link Device		
Range: -	Unit: -	Default: -	Attribute: -
Size: 16 bytes (VS)	Access: RW		PDO map: Not possible

*1 Supported by the unit version 1.1 or later.
 *2 Indexes 8013 hex, 8023 hex, 8033 hex, 8043 hex, 8053 hex, and 8063 hex are intentionally omitted from this table. Port numbers in each object name of the indexes 8013 hex to 8063 hex are assigned in order from port 2 to port 7, in ascending order. The data definitions, except for the object names, are the same as those for indexes 8003 hex and 8073 hex.

9000 hex	Port1 IO-Link Device Information Area		
Sub-index 0: Number of entries			
Range: –	Unit: –	Default: 25 hex	Attribute: –
Size: 1 byte (U8)	Access: RO		PDO map: Not possible
Sub-index 4: Device ID			
Range: 00000000 to 00FFFFFF hex	Unit: –	Default: 00000000 hex	Attribute: –
Size: 4 bytes (U32)	Access: RO		PDO map: Not possible
Sub-index 5: Vendor ID			
Range: 00000000 to 0000FFFF hex	Unit: –	Default: 00000000 hex	Attribute: –
Size: 4 bytes (U32)	Access: RO		PDO map: Not possible
Sub-index 20: IO-Link Revision			
Range: 00 to FF hex	Unit: –	Default: 00 hex	Attribute: –
Size: 1 byte (U8)	Access: RO		PDO map: Not possible
Sub-index 22: Cycle Time			
Range: 00 to FF hex	Unit: –	Default: 00 hex	Attribute: –
Size: 1 byte (U8)	Access: RO		PDO map: Not possible
Sub-index 24: Process Data In Length			
Range: 00 to 20 hex	Unit: –	Default: 02 hex	Attribute: –
Size: 1 byte (U8)	Access: RO		PDO map: Not possible
Sub-index 25: Process Data Out Length			
Range: 00 to 20 hex	Unit: –	Default: 02 hex	Attribute: –
Size: 1 byte (U8)	Access: RO		PDO map: Not possible
... *1			

9070 hex	Port8 IO-Link Device Information Area		
Sub-index 0: Number of entries			
Range: –	Unit: –	Default: 25 hex	Attribute: –
Size: 1 byte (U8)	Access: RO		PDO map: Not possible
Sub-index 4: Device ID			
Range: 00000000 to 00FFFFFF hex	Unit: –	Default: 00000000 hex	Attribute: –
Size: 4 bytes (U32)	Access: RO		PDO map: Not possible
Sub-index 5: Vendor ID			
Range: 00000000 to 0000FFFF hex	Unit: –	Default: 00000000 hex	Attribute: –
Size: 4 bytes (U32)	Access: RO		PDO map: Not possible
Sub-index 20: IO-Link Revision			
Range: 00 to FF hex	Unit: –	Default: 00 hex	Attribute: –
Size: 1 byte (U8)	Access: RO		PDO map: Not possible
Sub-index 22: Cycle Time			
Range: 00 to FF hex	Unit: –	Default: 00 hex	Attribute: –
Size: 1 byte (U8)	Access: RO		PDO map: Not possible
Sub-index 24: Process Data In Length			
Range: 00 to 20 hex	Unit: –	Default: 02 hex	Attribute: –
Size: 1 byte (U8)	Access: RO		PDO map: Not possible
Sub-index 25: Process Data Out Length			
Range: 00 to 20 hex	Unit: –	Default: 02 hex	Attribute: –
Size: 1 byte (U8)	Access: RO		PDO map: Not possible

*1 Indexes 9010 hex, 9020 hex, 9030 hex, 9040 hex, 9050 hex, and 9060 hex are intentionally omitted from this table. Port numbers in each object name of the indexes 9000 hex to 9060 hex are assigned in order from port 2 to port 7, in ascending order. The data definitions, except for the object names, are the same as those for indexes 9000 hex and 9070 hex.

9001 hex	Port1 Serial Number Information Area		
Range: -	Unit: -	Default: -	Attribute: -
Size: 16 bytes (VS)	Access: RO	PDO map: Not possible	

... *1

9071 hex	Port8 Serial Number Information Area		
Range: -	Unit: -	Default: -	Attribute: -
Size: 16 bytes (VS)	Access: RO	PDO map: Not possible	

*1 Indexes 9011 hex, 9021 hex, 9031 hex, 9041 hex, 9051 hex, and 9061 hex are intentionally omitted from this table. Port numbers in each object name of the indexes 9001 hex to 9061 hex are assigned in order from port 2 to port 7, in ascending order. The data definitions, except for the object names, are the same as those for indexes 9001 hex and 9071 hex.

9002 hex *1	Port1 Vendor Name		
Range: -	Unit: -	Default: -	Attribute: -
Size: 64 bytes (VS)	Access: RO	PDO map: Not possible	

... *2

9071 hex *1	Port8 Vendor Name		
Range: -	Unit: -	Default: -	Attribute: -
Size: 16 bytes (VS)	Access: RO	PDO map: Not possible	

*1 Supported by the unit version 1.1 or later.

*2 Indexes 9012 hex, 9022 hex, 9032 hex, 9042 hex, 9052 hex, and 9062 hex are intentionally omitted from this table. Port numbers in each object name of the indexes 9002 hex to 9062 hex are assigned in order from port 2 to port 7, in ascending order. The data definitions, except for the object names, are the same as those for indexes 9002 hex and 9072 hex.

9003 hex *1	Port1 Product Name		
Range: -	Unit: -	Default: -	Attribute: -
Size: 64 bytes (VS)	Access: RO	PDO map: Not possible	

... *2

9073 hex *1	Port8 Product Name		
Range: -	Unit: -	Default: -	Attribute: -
Size: 64 bytes (VS)	Access: RO	PDO map: Not possible	

*1 Supported by the unit version 1.1 or later.

*2 Indexes 9013 hex, 9023 hex, 9033 hex, 9043 hex, 9053 hex, and 9063 hex are intentionally omitted from this table. Port numbers in each object name of the indexes 9003 hex to 9063 hex are assigned in order from port 2 to port 7, in ascending order. The data definitions, except for the object names, are the same as those for indexes 9003 hex and 9073 hex.

A000 hex	Port1 IO-Link Master Object		
Sub-index 0: Number of entries			
Range: -	Unit: -	Default: 01 hex	Attribute: -
Size: 1 byte (U8)	Access: RO	PDO map: Not possible	
Sub-index 1: Port1 Lost Frames			
Range: 00 to FF hex	Unit: -	Default: 00 hex	Attribute: A
Size: 1 byte (U8)	Access: RW	PDO map: Not possible	

A010 hex	Port2 IO-Link Master Object		
Sub-index 0: Number of entries			
Range: -	Unit: -	Default: 01 hex	Attribute: -
Size: 1 byte (U8)	Access: RO	PDO map: Not possible	
Sub-index 1: Port2 Lost Frames			
Range: 00 to FF hex	Unit: -	Default: 00 hex	Attribute: A
Size: 1 byte (U8)	Access: RW	PDO map: Not possible	

A020 hex	Port3 IO-Link Master Object		
Sub-index 0: Number of entries			
Range: –	Unit: –	Default: 01 hex	Attribute: –
Size: 1 byte (U8)	Access: RO	PDO map: Not possible	
Sub-index 1: Port3 Lost Frames			
Range: 00 to FF hex	Unit: –	Default: 00 hex	Attribute: A
Size: 1 byte (U8)	Access: RW	PDO map: Not possible	

A030 hex	Port4 IO-Link Master Object		
Sub-index 0: Number of entries			
Range: –	Unit: –	Default: 01 hex	Attribute: –
Size: 1 byte (U8)	Access: RO	PDO map: Not possible	
Sub-index 1: Port4 Lost Frames			
Range: 00 to FF hex	Unit: –	Default: 00 hex	Attribute: A
Size: 1 byte (U8)	Access: RW	PDO map: Not possible	

A040 hex	Port5 IO-Link Master Object		
Sub-index 0: Number of entries			
Range: –	Unit: –	Default: 01 hex	Attribute: –
Size: 1 byte (U8)	Access: RO	PDO map: Not possible	
Sub-index 1: Port5 Lost Frames			
Range: 00 to FF hex	Unit: –	Default: 00 hex	Attribute: A
Size: 1 byte (U8)	Access: RW	PDO map: Not possible	

A050 hex	Port6 IO-Link Master Object		
Sub-index 0: Number of entries			
Range: –	Unit: –	Default: 01 hex	Attribute: –
Size: 1 byte (U8)	Access: RO	PDO map: Not possible	
Sub-index 1: Port6 Lost Frames			
Range: 00 to FF hex	Unit: –	Default: 00 hex	Attribute: A
Size: 1 byte (U8)	Access: RW	PDO map: Not possible	

A060 hex	Port7 IO-Link Master Object		
Sub-index 0: Number of entries			
Range: –	Unit: –	Default: 01 hex	Attribute: –
Size: 1 byte (U8)	Access: RO	PDO map: Not possible	
Sub-index 1: Port7 Lost Frames			
Range: 00 to FF hex	Unit: –	Default: 00 hex	Attribute: A
Size: 1 byte (U8)	Access: RW	PDO map: Not possible	

A070 hex	Port8 IO-Link Master Object		
Sub-index 0: Number of entries			
Range: –	Unit: –	Default: 01 hex	Attribute: –
Size: 1 byte (U8)	Access: RO	PDO map: Not possible	
Sub-index 1: Port8 Lost Frames			
Range: 00 to FF hex	Unit: –	Default: 00 hex	Attribute: A
Size: 1 byte (U8)	Access: RW	PDO map: Not possible	

A-2 Current Consumption Summary

A-2-1 Digital I/O Slave Unit

Model	Unit power supply current consumption	Model	Unit power supply current consumption
GX-ID1611	80 mA max. at 24 VDC 90 mA max. at 20.4 VDC	GX-ID1621	80 mA max. at 24 VDC 90 mA max. at 20.4 VDC
GX-OD1611	80 mA max. at 24 VDC 90 mA max. at 20.4 VDC	GX-OD1621	80 mA max. at 24 VDC 90 mA max. at 20.4 VDC
GX-OC1601	180 mA max. at 24 VDC 210 mA max. at 20.4 VDC		
GX-MD1611	80 mA max. at 24 VDC 80 mA max. at 20.4 VDC	GX-MD1621	80 mA max. at 24 VDC 80 mA max. at 20.4 VDC
GX-ID1612	80 mA max. at 24 VDC 90 mA max. at 20.4 VDC	GX-ID1622	80 mA max. at 24 VDC 90 mA max. at 20.4 VDC
GX-OD1612	80 mA max. at 24 VDC 90 mA max. at 20.4 VDC	GX-OD1622	80 mA max. at 24 VDC 90 mA max. at 20.4 VDC
GX-MD1612	80 mA max. at 24 VDC 90 mA max. at 20.4 VDC	GX-MD1622	80 mA max. at 24 VDC 90 mA max. at 20.4 VDC
GX-ID1618	150 mA max. at 24 VDC 150 mA max. at 20.4 VDC	GX-ID1628	150 mA max. at 24 VDC 150 mA max. at 20.4 VDC
GX-OD1618	70 mA max. at 24 VDC 80 mA max. at 20.4 VDC	GX-OD1628	70 mA max. at 24 VDC 80 mA max. at 20.4 VDC
GX-MD1618	110 mA max. at 24 VDC 120 mA max. at 20.4 VDC	GX-MD1628	110 mA max. at 24 VDC 120 mA max. at 20.4 VDC
GX-ID3218	220 mA max. at 24 VDC 230 mA max. at 20.4 VDC	GX-ID3228	220 mA max. at 24 VDC 230 mA max. at 20.4 VDC
GX-OD3218	90 mA max. at 24 VDC 100 mA max. at 20.4 VDC	GX-OD3228	90 mA max. at 24 VDC 100 mA max. at 20.4 VDC
GX-MD3218	140 mA max. at 24 VDC 150 mA max. at 20.4 VDC	GX-MD3228	140 mA max. at 24 VDC 150 mA max. at 20.4 VDC

A-2-2 Analog I/O Slave Unit

Model	Unit power supply current consumption	Model	Unit power supply current consumption
GX-AD0471	110 mA max. at 24 VDC 120 mA max. at 20.4 VDC	GX-DA0271	140 mA max. at 24 VDC 150 mA max. at 20.4 VDC

A-2-3 Encoder Input Slave Unit

Model	Unit power supply current consumption	Model	Unit power supply current consumption
GX-EC0211	100 mA max. at 24 VDC 130 mA max. at 20.4 VDC	GX-EC0241	90 mA max. at 24 VDC 100 mA max. at 20.4 VDC

A-2-4 IO-Link Master Unit

Model	Unit power supply current consumption
GX-ILM08C	60 mA max. (for 24 VDC)

A-2-5 Expansion Unit

Model	Unit power supply current consumption	Model	Unit power supply current consumption
XWT-ID08	5 mA max.	XWT-ID08-1	5 mA max.
XWT-OD08	5 mA max.	XWT-OD08-1	5 mA max.
XWT-ID16	10 mA max.	XWT-ID16-1	10 mA max.
XWT-OD16	10 mA max.	XWT-OD16-1	10 mA max.

A-3 Precautions with Connecting Two-wire DC Sensors

When using a two-wire DC sensor with a DC input type Slave Unit, check that the following conditions have been met. Failure to meet these conditions may result in operating errors.

A-3-1 Relation between ON Voltage of a Unit with DC Inputs and Sensor Residual Voltage

$$V_{ON} \leq V_{CC} - V_R$$

V_{CC} : I/O power supply voltage (The allowable power supply voltage range is 20.4 to 26.4 V, so 20.4 V will be used here to allow for the worst possible conditions.)

V_{ON} : ON voltage for a Unit with DC inputs

V_R : Sensor's output residual voltage

It is sometimes possible to satisfy the above equation by adjusting the I/O power supply voltage (V_{CC}) to 26.4 V.

A-3-2 Relation between ON Current of a Unit with DC Inputs and Sensor Control Output

$$I_{OUT} (\text{min}) \leq I_{ON} \leq I_{OUT} (\text{max})$$

I_{OUT} : Sensor control output (load current)

I_{ON} : ON current of a Unit with DC inputs

I_{ON} is calculated as follows:

$$I_{ON} = (V_{CC} - V_R - V_F) / R_{IN}$$

V_F : Internal residual voltage of a Unit with DC inputs

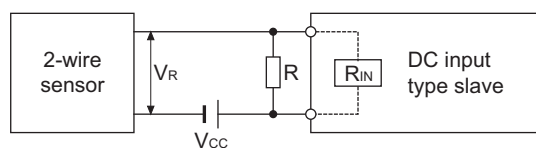
R_{IN} : Input impedance of a Unit with DC inputs

When I_{ON} is smaller than $I_{OUT} (\text{min})$, connect a bleeder resistor R .

The bleeder resistor constant can be calculated using the following equation.

$$R \leq (V_{CC} - V_R) / (I_{OUT} (\text{min}) - I_{ON})$$

$$\text{Power } W \geq (V_{CC} - V_R)^2 / R \times 4 \text{ [allowable margin]}$$



A-3-3 Relation between OFF Current of a Unit with DC Inputs and Sensor Leakage Current

$$I_{OFF} \geq I_{leak}$$

I_{OFF} : OFF current of a Unit with DC inputs

I_{leak} : Sensor's leakage current

Connect a bleeder resistor if the sensor's leakage current is greater than the OFF current of a Unit with DC inputs.

The bleeder resistor constant can be calculated using the following equation.

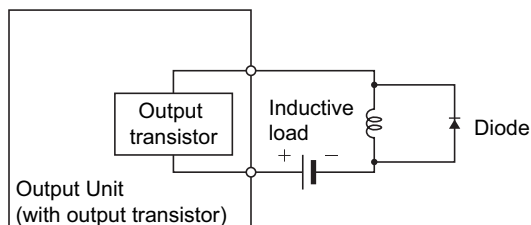
$$R \leq (I_{OFF} \times R_{IN} + V_F) / (I_{leak} - I_{OFF})$$

$$\text{Power } W \geq (V_{CC} - V_R)^2 / R \times 4 \text{ [allowable margin]}$$

A-4 Wiring External Output Signal Lines

Observe the following points when wiring external output signal lines.

- To absorb reverse electromotive force when an inductive load is connected to an output signal, connect a diode near the inductive load.



Connect a diode in a DC circuit.

Output Signal Noise Countermeasure

A-5 I/O Power Supply Current

The I/O power supply current to be supplied to the V and G terminals of each Digital I/O Slave Unit is provided by the following equation.

The points to which I/O power must be supplied are divided into small blocks. The I/O power supply currents supplied to these points are calculated in block units.

For example, in a GX-ID1612 Unit, the points are divided into two blocks. One includes 8 points on the left: Inputs 0 to 7. The other contains 8 points on the right: Inputs 8 to 15. Currents are calculated for each block.

● Input Slave Unit

I/O power supply current supplied to V and G terminals = (Current consumption of Input Slave Unit from I/O power supply) + (Input current of Input Slave Unit × Number of inputs used) + (Total current consumption of connected input devices)*

* This value does not apply when two-wire input devices are connected.

Use the following formula when two-wire input devices are connected:

I/O power supply current supplied to V and G terminals = (Current consumption of Input Slave Unit from I/O power supply) + (Input current of Input Slave Unit × Number of inputs used)

Example:

The following example is for when seven, three-wire sensors with a current consumption of 30 mA each are connected to the GX-ID1612.

The GX-ID1612 specifications are,

- Input current of 6.0 mA max./point (at 24 VDC)
- I/O power supply current consumption of 10 mA max. (at 20.4 to 26.4 VDC).

Therefore,

I/O power supply current supplied to V and G terminals = 10 mA + (6 mA × 7 points) + (30 mA × 7 points) = 262 mA

● Output Slave Unit

I/O power supply current supplied to V and G terminals = (Current consumption of Output Slave Unit from I/O power supply) + (Total load current of the connected loads) + (Total current consumption of connected output devices)*¹

*¹ This value does not apply when two-wire output devices are connected.

Use the following formula when two-wire output devices are connected:

I/O power supply current supplied to V and G terminals = (Current consumption of Output Slave Unit from I/O power supply) + (Total load current of the connected loads)

*² Compare the value from the above formula to the rated current (common) of the Output Slave Unit and use the smaller value.

Example:

The following example is for when five relays with a load current of 20 mA each are connected to the GX-OD1612.

The GX-OD1612 specifications are,

- Rated output current of 4.0 mA/common
- I/O power supply current consumption of 10 mA max. (at 20.4 to 26.4 VDC).

Also, relays are two-wire output devices, so there is no output device current consumption.

Therefore,

I/O power supply current supplied to V and G terminals = $10 \text{ mA} + (20 \text{ mA} \times 5 \text{ points}) =$
 $110 \text{ mA} < 4.0 \text{ A/common}$

A-6 Glossary

Use the following list of EtherCAT terms for reference.

Term	Abbreviation	Description
AL status (application layer status)	–	Status for indicating information on errors that occur in an application on a slave.
cable redundancy	–	A function for continuing the communications even when cable disconnection or slave power failure occurs on the EtherCAT system.
CAN application protocol over EtherCAT	CoE	A CAN application protocol service implemented on EtherCAT.
CAN in Automation	CiA	CiA is the international users' and manufacturers' group that develops and supports higher-layer protocols.
device profile	–	Collection of device dependent information and functionality providing consistency between similar devices of the same device type.
distributed clocks	DC	Clock distribution mechanism used to synchronize EtherCAT Slave Units and the EtherCAT Master Units.
EtherCAT slave controller	ESC	A controller for EtherCAT slave communication.
EtherCAT slave information	ESI	An XML file that contains setting information for an EtherCAT Slave Unit.
EtherCAT state machine	ESM	An EtherCAT communication state machine.
EtherCAT Technology Group	ETG	The ETG is a global organization in which OEM, End Users and Technology Providers join forces to support and promote the further technology development.
index	–	Address of an object within an application process.
network configuration information	–	The EtherCAT network configuration information held by the EtherCAT master.
object	–	Abstract representation of a particular component within a device, which consists of data, parameters, and methods.
object dictionary	OD	Data structure addressed by Index and Sub-index that contains description of data type objects, communication objects and application objects.
operational	–	A state in EtherCAT communications where SDO communications and I/O are possible.
PDO communications	–	An acronym for process data communications.
pre-operational	–	A state in EtherCAT communications where only SDO communications are possible without being able to perform I/O.
Process data	–	Collection of application objects designated to be downloaded cyclically or acyclically for the purpose of measurement and control.
process data communications	–	One type of EtherCAT communications that uses process data objects (PDOs) to exchange information in realtime with a fixed cycle. This is also called PDO communications.
Process data object	PDO	Structure described by mapping parameters containing one or several process data entities.
Receive PDO	RxPDO	A process data object received by an EtherCAT Slave Unit.
safe operational	–	A state in EtherCAT communications where only SDO communications and reading input data from slaves are possible. Outputs from slaves are not performed.
SDO communications	–	One type of EtherCAT communications that uses service data objects (SDOs) for communicating information when required.
service data object	SDO	CoE asynchronous mailbox communications where all objects in the object dictionary can be read and written.

Term	Abbrevia- tion	Description
Slave Information Interface	SII	Slave information that is stored in non-volatile memory in the slave.
subindex	–	Sub-address of an object within the object dictionary.
sync manager	SM	Collection of control elements to coordinate access to concurrently used objects.
Transmit PDO	TxPDO	A process data object sent from an EtherCAT Slave Unit.

A-7 Version Information

The following table shows the correspondence between the unit version of each EtherCAT Slave Unit model and the compatible version of Support Software.

If you use your EtherCAT Slave Unit with the corresponding version or a higher version of Support Software, all the functions supported by the unit version of the EtherCAT Slave Unit are available.

Refer to *Version Upgrade Information* on page 16 for details on the functions that have been added or changed due to the unit version upgrade of the EtherCAT Slave Units.

EtherCAT Slave Unit model	Unit version	Compatible version of Support Software	
		Sysmac Studio	Cx-ConfiguratorFDT
GX-ID□□□□	Ver.1.2	Ver.1.25	–
	Ver.1.1	Ver.1.01	–
	Ver.1.0		
GX-OD□□□□	Ver.1.2	Ver.1.25	–
	Ver.1.1	Ver.1.01	–
	Ver.1.0		
GX-OC□□□□	Ver.1.2	Ver.1.25	–
	Ver.1.1	Ver.1.01	–
	Ver.1.0		
GX-MD□□□□	Ver.1.2	Ver.1.25	–
	Ver.1.1	Ver.1.01	–
	Ver.1.0		
GX-AD□□□□	Ver.1.2	Ver.1.25	–
	Ver.1.1	Ver.1.01	–
	Ver.1.0		
GX-DA□□□□	Ver.1.2	Ver.1.25	–
	Ver.1.1	Ver.1.01	–
	Ver.1.0		
GX-EC□□□□	Ver.1.2	Ver.1.25	–
	Ver.1.1	Ver.1.01	–
	Ver.1.0		
GX-ILM□□□	Ver.1.2	Ver.1.25	Ver.2.2
	Ver.1.1	Ver.1.20	Ver.2.2
	Ver.1.0	Ver.1.16	Ver.2.2

INDEX

A

Abort codes	5-10
Analog I/O slave	2-2
Application object	5-5

C

C/E indicator	10-15
C/Q indicator	10-15
cable redundancy	A-81
CAN application protocol	5-2
Clear external latch A generation flag	9-7
Clear external latch B generation flag	9-7
Clear present value external reset generation flag	9-7
CN IN connector	4-7
Code + pulse input	9-10
CoE	5-2
Communications cable	1-7, 3-4, 4-4, 4-6, 4-7, 6-8
Communications error	8-16
Communications Unit	1-7
Configuration Tool	1-7, 3-6, 6-6
Correctable range	8-11, 8-17
Count possible/not possible	9-7
Counter operation state	9-6
Counter present value	9-3
Counter preset bit	9-13
Counter reset bit	9-12
Counter status	9-3
Crimp terminal	4-13

D

Daisy chain connection	4-7
Diagnosis history	5-14
Digital I/O slave	2-2
DIN track	4-2
DIN track mounting hook	4-2
Disconnected line detection	8-4, 8-5
Disconnected line detection flag	8-10

E

e-CON connectors	4-14
Encoder Input Slave Unit	2-2
End plate	4-2
ERR indicator	10-14
ERR LED	6-5
ESI file	1-7, 3-5
ESM	5-4
EtherCAT cables for GX-type	10-21
EtherCAT Master	1-7
EtherCAT Master Unit	3-4
EtherCAT slave	1-7

EtherCAT telegram	1-3
Expansion Unit	2-2
extension cables from sensors with M12 plugs	10-23
External control input	9-12, 9-13
External latch A enabled	9-7
External latch A generation flag	9-6
External latch B enabled	9-7
External latch B generation flag	9-6
External latch value A	9-3
External reset generation flag	9-6

F

Fixed PDO mapping	5-7
-------------------------	-----

I

I/O cables for GX-type IO-Link Master Units	10-22
I/O power supply	1-7, 3-4, 4-8, 4-11
I/O power supply connector	4-11
I/O power supply terminal	4-11
Incremental/decremental pulse input	9-10
Initialization	5-4
Input range	8-3
Input range switch	8-5, 8-21
IO PWR indicator	10-14
IO-Link Master Unit	
communications cables	6-10
communications connectors	6-9
communications performance	10-18
connecting the I/O power supply	4-12
connecting the Unit power supply	4-10
current consumption	A-75
function	10-7
I/O Data allocations	
PDO mapping	10-4
IO-Link communications cycle	10-20
manufacturer-specific area	A-54
model	2-7
mounting dimensions	10-17
node address setting switches	6-7
object dictionary (PDO mapping object)	A-22
outline	10-2
part names and functions	10-13
specifications	10-9
unit power supply connector	6-12

L

L/A IN indicator	10-14
L/A IN Indicator	6-4
L/A OUT indicator	10-14
L/A OUT Indicator	6-4

M

M12 Connector	4-17
M8 Socket/M12 plug	10-22
Mapping table	5-5
Maximum Circular Counter value	9-8

N

Node address	3-4, 6-6
--------------------	----------

O

Object dictionary	5-2, 5-5
ON delay time	7-8
Operational	5-4
Operational state	3-5
Output range	8-12
Output range setting switch	8-14
Output range switch	8-24

P

PDO	5-2, 5-5
PDO communications	3-5
PDO mapping	3-5, 5-2, 5-5, 5-6
PDO mapping object	5-5
Phase A/B phase difference pulse input	9-9
Pin terminal	4-9
power supply cables for GX-type	10-22
Pre-operational	5-4
Pre-operational state	3-5
Present value external reset enabled	9-7
Present value internal reset execution	9-7
Present value internal reset execution completed	9-6
Present value preset execution	9-7
Present value preset execution completed	9-6
Present value preset set value error	9-6
Preset command value	9-6, 9-13
PWR LED	6-4

R

RJ45 connector	4-5
RUN indicator	10-14
RUN Indicator	6-5
RxPDO	5-5

S

Safe-operational state	5-4
SDO	5-2
SDO communications	3-5, 3-6, 5-10
Sheath diameter	4-14
Soft switch	9-6
Status indicator	12-2
Sync manager channel	5-6
Sync manager PDO assignment object	5-5, 5-6

Sync manager PDO assignment table	5-6
Sync manager PDO mapping	5-6
Sysmac Device Functions	5-15
Sysmac error status	5-15

T

Terminal block	4-13
Tightening torque	4-13
Twisted-pair cable	4-5
TxPDO	5-5

U

Unit No.	3-4
Unit power supply	1-7, 3-4, 4-8, 4-9, 6-11
Unit power supply cable	4-9
Unit power supply connector	4-9
UNIT PWR indicator	10-14

W

Wire size	4-14
Wiring standards	4-6

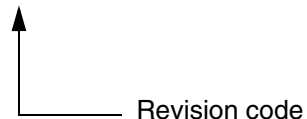
X

XS3W-M42C-4C2-A	10-22
XS5F-D421	10-22
XS5W-D421	10-23
XS5W-T421	10-21

Revision History

A manual revision code appears as a suffix to the catalog number on the front cover of the manual.

Cat. No. W488-E1-10



The following table outlines the changes made to the manual during each revision. Page numbers refer to the previous version.

Revision code	Date	Revised content
01	August 2010	Original production
02	September 2010	Added Encoder Input Slave Units GX-EC02xx.
03	July 2011	Added functions for change to unit version 1.1 and corrected errors.
04	November 2013	Added descriptions and corrected mistakes.
05	July 2016	Added GX-ILM08C IO-Link Master Unit.
06	October 2016	Corrected mistakes and added information on IO-Link Master Units.
07	October 2017	Made changes accompanying the upgrade of the IO-Link Master Unit to unit version 1.1.
08	February 2018	Added descriptions and corrected mistakes.
09	October 2018	Added functions accompanying the upgrade to unit version 1.2, and corrected mistakes.
10	October 2020	Made changes accompanying the upgrade of the NJ/NX-series CPU Units to unit version 1.42.

OMRON Corporation Industrial Automation Company
Kyoto, JAPAN

Contact: www.ia.omron.com

Regional Headquarters

OMRON EUROPE B.V.

Wegalaan 67-69, 2132 JD Hoofddorp
The Netherlands
Tel: (31)2356-81-300/Fax: (31)2356-81-388

OMRON ELECTRONICS LLC

2895 Greenspoint Parkway, Suite 200
Hoffman Estates, IL 60169 U.S.A.
Tel: (1) 847-843-7900/Fax: (1) 847-843-7787

OMRON ASIA PACIFIC PTE. LTD.

No. 438A Alexandra Road # 05-05/08 (Lobby 2),
Alexandra Technopark,
Singapore 119967
Tel: (65) 6835-3011/Fax: (65) 6835-2711

OMRON (CHINA) CO., LTD.

Room 2211, Bank of China Tower,
200 Yin Cheng Zhong Road,
PuDong New Area, Shanghai, 200120, China
Tel: (86) 21-5037-2222/Fax: (86) 21-5037-2200

Authorized Distributor:

© OMRON Corporation 2010-2020 All Rights Reserved.
In the interest of product improvement,
specifications are subject to change without notice.

Cat. No. W488-E1-10

1020